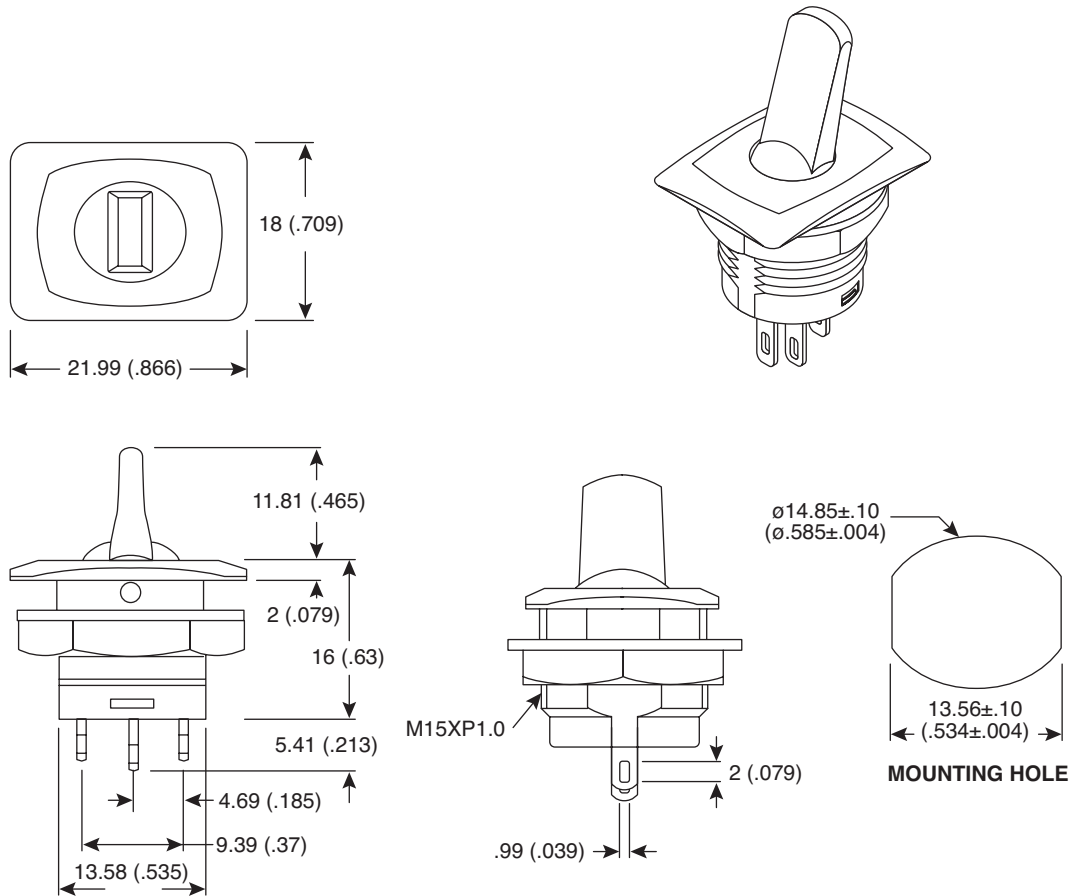


Dimensions: mm (In.)



**Electrical Specifications:**

- Rating: 6A/125VAC, 3A/250VAC
- Contact resistance: 50m $\Omega$  max.
- Insulation resistance: 500VDC 100M $\Omega$  min.
- Dielectric strength: 1500VAC for 1 minute

**Mechanical Specifications:**

- Switching function: 3P SPDT On-On

**Note:**

- RoHS Compliant

**Toggle Switch**  
103-4023-EV

**Mountain**  
**Switch**

# X-ON Electronics

Authorized Distributor

*Click to view similar products for [Toggle Switches](#) category:*

[M2012LL2W30](#) [M2013BB1W01](#) [M2024S3A1W06](#) [M2032SS1W01-BA](#) [M2044SS1W01-BC](#)  
[6-1437558-4](#) [6-1437558-5](#) [64AT22-3D](#) [64AT34-5K](#) [66AT23-7](#)