



iCE40 UltraPlus 8:1 Mic Aggregation Demo

User Guide

FPGA-UG-02035-1.2

February 2018

Contents

1. Introduction	3
1.1. Demo Design Overview	3
2. Functional Description	4
3. Demo Package	5
4. iCE40 UltraPlus MDP and Resources	6
4.1. Configuring the iCE40 UltraPlus MDP	7
5. Programming the Bitstreams to the iCE40 UltraPlus MDP	8
6. Running the Demo	10
6.1. Using Headphones	10
6.2. Oscilloscope Connection Points	11
6.3. I ² S Aggregation Signal Format	12
6.4. Measured Oscilloscope I ² S Aggregation Signals	13
Appendix A. Schematic Diagram	14
Appendix B. Bill of Materials	15
Technical Support Assistance	16
Revision History	16

Figures

Figure 1.1. 8:1 Mic Aggregation Demo Overview	3
Figure 2.1. 8:1 Mic Aggregation Demo Block Diagram	4
Figure 3.1. Directory Structure	5
Figure 4.1. iCE40 UltraPlus MDP Configuration	6
Figure 4.2. iCE40 UltraPlus MDP and 8 to 1 Mic Aggregator Board	7
Figure 5.1. Device Properties	8
Figure 5.2. Program Device Button	9
Figure 6.1. Mode Push Button Control Sequences Selected Microphone	10
Figure 6.2. 8 to 1 Mic Aggregator Board (Daughter Board)	10
Figure 6.3. J30 Section on MDP Board	11
Figure 6.4. Header to Connect to the Oscilloscope	11
Figure 6.5. Aggregation TDM Format for 8 Channels	12
Figure 6.6. I ² S Aggregation for Channel 1	12
Figure 6.7. I ² S Aggregation for Channel 8	12
Figure 6.8. Measured I ² S Aggregation Signals for 8 Channels	13
Figure 6.9. Measured I ² S Aggregation Signals for Channel 1	13

1. Introduction

This demo addresses a market opportunity to transfer data from up to eight PDM microphones on a single data wire using an I²S 8-ch aggregation format. I²S bus is widely used to communicate Pulse Code Modulation (PCM) audio data between integrated circuits in an electronic device. The standard I²S protocol is designed to transfer only two channels on a data line (LEFT and RIGHT).

1.1. Demo Design Overview

The iCE40 UltraPlus™ 8:1 Mic Aggregation demo implements a customized I²S bus using the iCE40 UltraPlus FPGA. The demo uses FPGA-B on the primary iCE40 UltraPlus Mobile Development Platform (MDP), plus a daughter board with eight Pulse Density Modulation (PDM) microphones for the input sources. Sound generated by the microphones can be heard through the onboard audio port.

Figure 1.1 shows an overview diagram of the 8:1 Mic Aggregation demo.

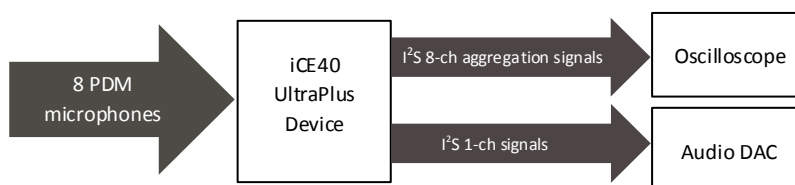


Figure 1.1. 8:1 Mic Aggregation Demo Overview

2. Functional Description

Figure 2.1 shows the 8:1 Mic Aggregation demo block diagram.

Each of the eight microphone's PDM format data streams are converted to PCM format using an efficient CIC Filter followed by a Compensation Filter. The eight PCM format streams then enter a serializer TDM block that outputs the serialized data in an I²S 8-ch aggregation format to board header J30.

To drive audio to the headset jack, the I²S 8-ch aggregation format is sent to an I²S Decoder block. This, in turn, selects either the average of all eight PCM channels or one of the 8 channels to convert into standard 2-ch I²S format and send to the audio DAC amplifier. Channel selection is made by the board's MODE push button.

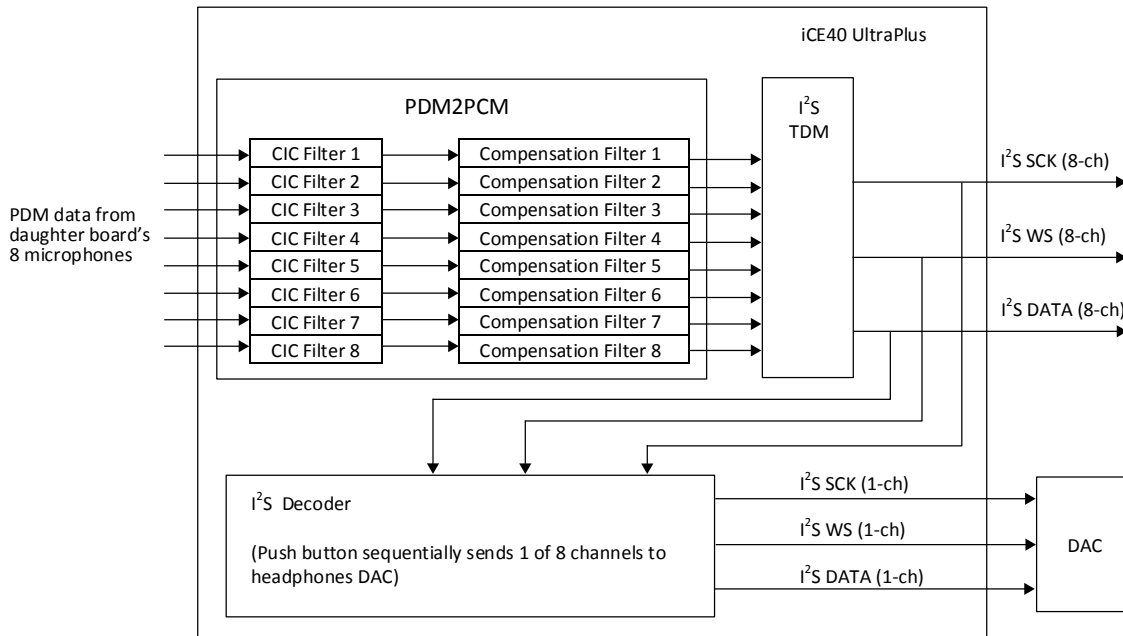


Figure 2.1. 8:1 Mic Aggregation Demo Block Diagram

3. Demo Package

The following hardware and software are required to run the iCE40 8:1 Mic Aggregation demo:

- **Hardware**
 - iCE40 UltraPlus MDP (PN: iCE40UP5K-MDP-EVN)
 - 8 to 1 Mic Aggregator Board (Daughter Board) (PN: LF-81AGG-EVN)
 - Standard 3.5 mm headphones
- **Software**
 - Lattice Radiant Programmer (Version 1.0 or later)
- **Demo Directory Structure**

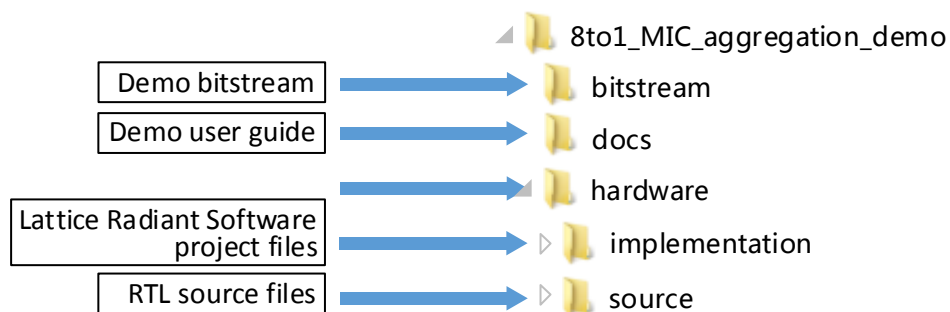


Figure 3.1. Directory Structure

4. iCE40 UltraPlus MDP and Resources

Figure 4.1 shows the top side of the iCE40 UltraPlus MDP and resources used for the demo.

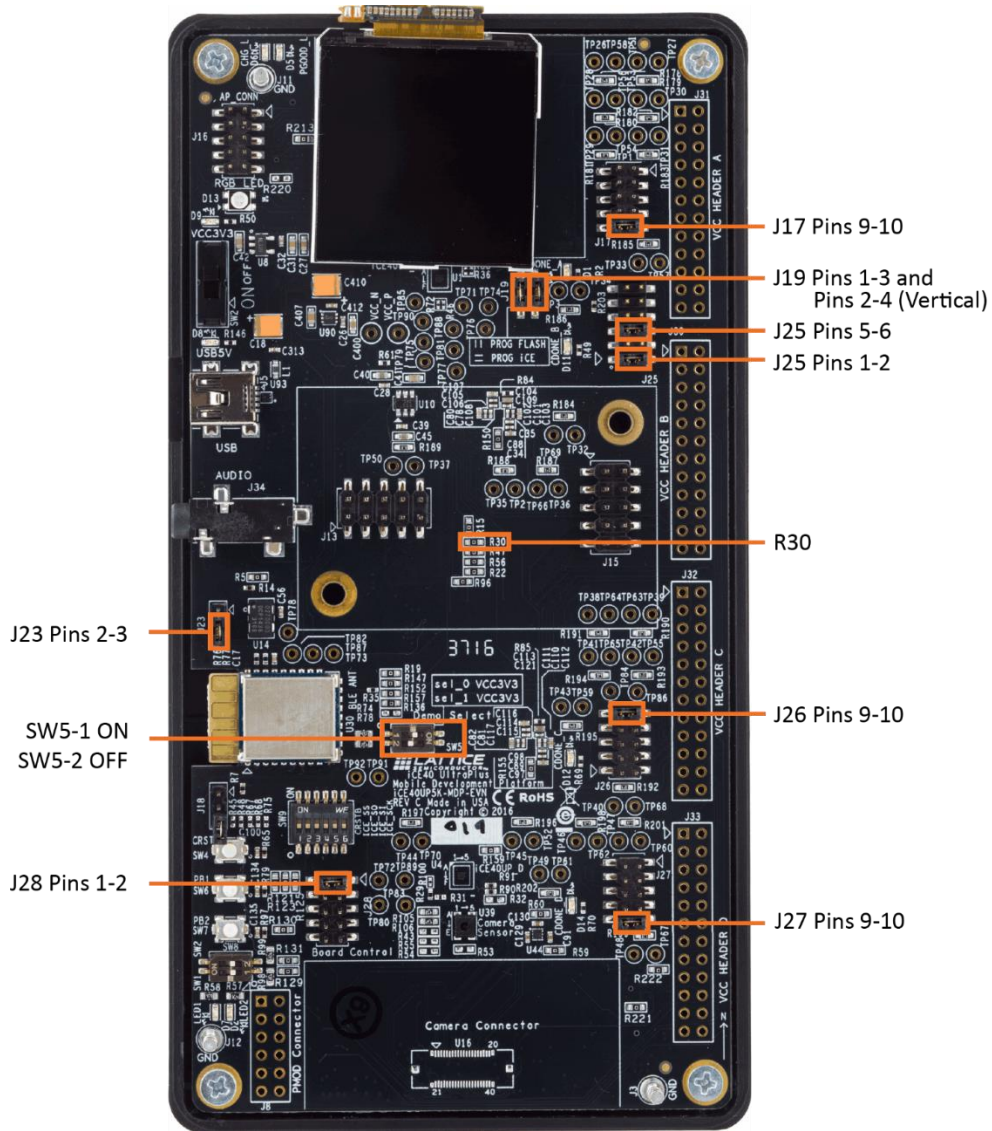


Figure 4.1. iCE40 UltraPlus MDP Configuration

4.1. Configuring the iCE40 UltraPlus MDP

Note that this demo uses FPGA-B.

To configure the board:

1. Install 0-Ω (0603) resistor or wire short at R30 if not installed.
2. Shunt J17, J26 and J27 pins 9-10.
3. Shunt J25 pins 1-2 and pins 5-6.
4. Shunt J28 pins 1-2.
5. Shunt J23 pins 2-3.
6. Shunt J19 pins 1-3 and pins 2-4 (Vertical).
7. Set SW5-1 to ON and SW5-2 to OFF.
8. Connect the 8 to 1 Mic Aggregator Board on top of the MDP board.

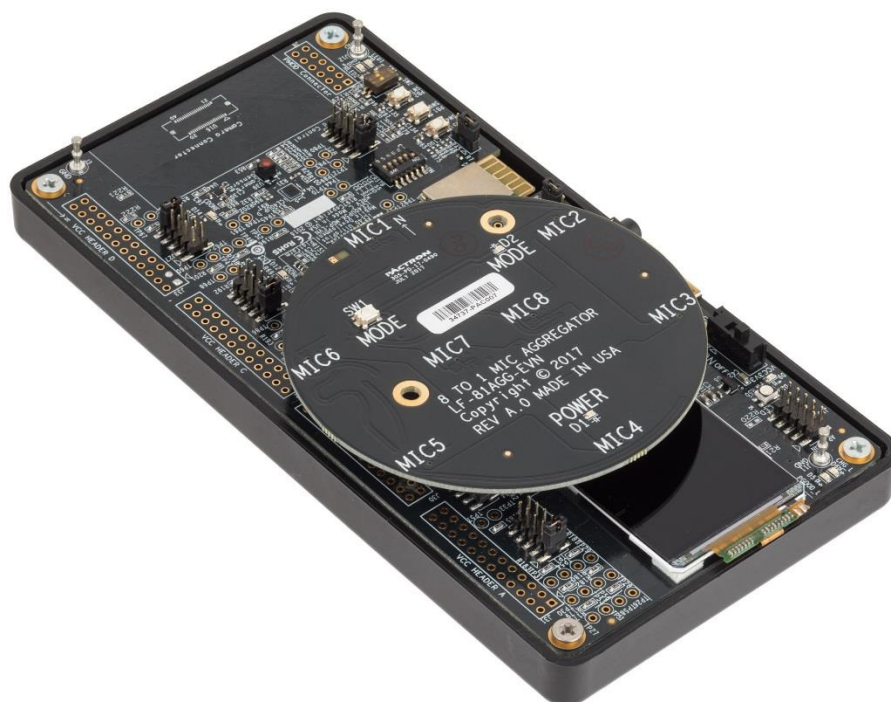


Figure 4.2. iCE40 UltraPlus MDP and 8 to 1 Mic Aggregator Board

9. Connect a standard 3.5 mm headphones to the audio jack at J34.

5. Programming the Bitstreams to the iCE40 UltraPlus MDP

To program SPI flash using Lattice Radiant Programmer:

1. Connect the iCE40 UltraPlus MDP to the PC using a USB cable.
2. Power ON the iCE40 UltraPlus MDP.
3. Start the Lattice Radiant Programmer software tool (version 1.0 or later).
4. In the **Getting Started** dialog box, select **Create a new project file from JTAG scan** and click **OK**.
5. The iCE40 UltraPlus device is detected and displayed in the main interface.

Device Family: iCE40 UltraPlus

Device: iCE40UP5K

Right-click on the device and select **Device Properties** in the context menu.

6. In the **Device Properties** dialog box, apply the settings as shown in [Figure 5.1](#).

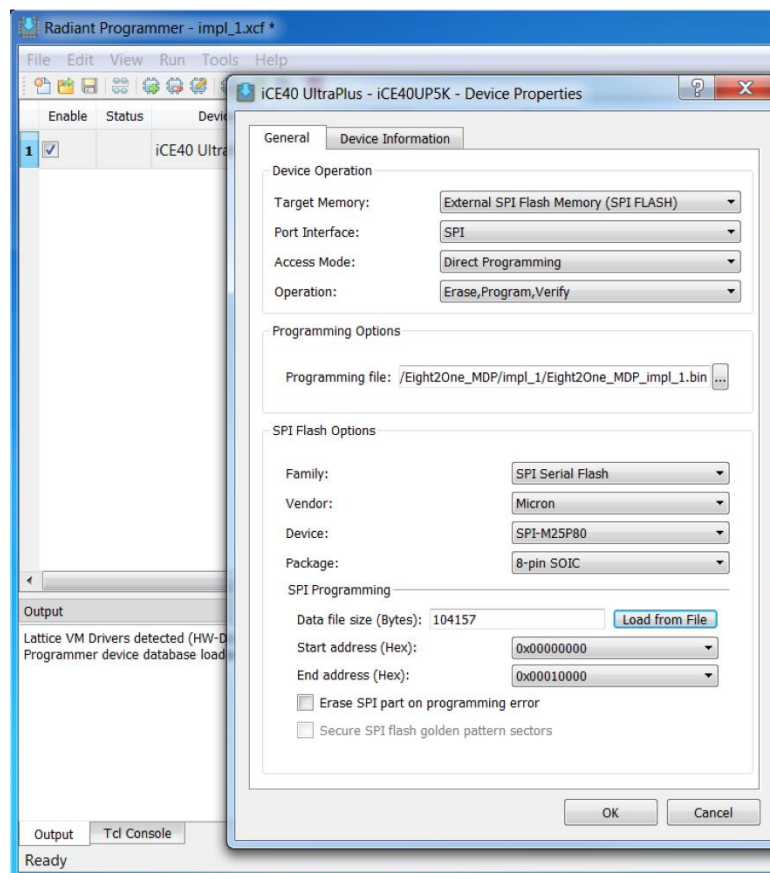


Figure 5.1. Device Properties

- **Target Memory:** Set to **External SPI Flash Memory (SPI FLASH)**.
 - **Port Interface:** Set to **SPI**.
 - **Access Mode:** Set to **Direct Programming**.
 - **Operation:** Set to **Erase, Program, Verify** mode.
 - **Programming File:** Load the bitstream file for demo located in folder (/Demo/Bin/*.bin).
 - **SPI Flash Options:** Select the correct Flash chip as shown in [Figure 5.1](#).
 - **Load from File:** Click to refresh fields such as **Data file size** and **End address (Hex)**.
7. Click **OK** to exit the **Device Properties** dialog box.

8. Click the **Program** button on the main interface to download the bitstream file.

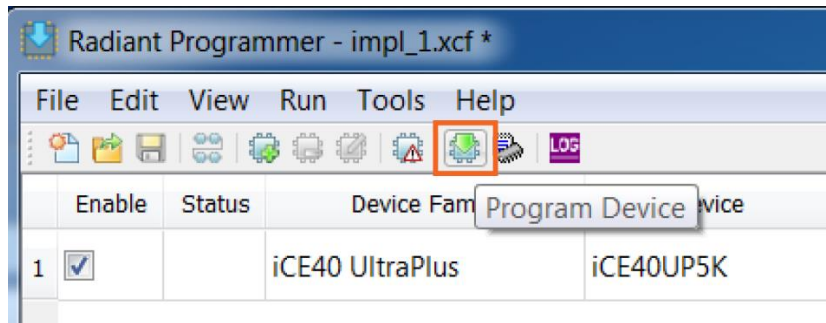


Figure 5.2. Program Device Button

6. Running the Demo

6.1. Using Headphones

When a bitstream is loaded into the FPGA-B on the iCE40 UltraPlus MDP the daughter board's green POWER LED and yellow MODE LED will be ON to indicate default selection mode of all eight microphones; sound is heard over the headphones.

To sequence through each individual microphone push and release the MODE button on the 8 to 1 Mic Aggregator Board.

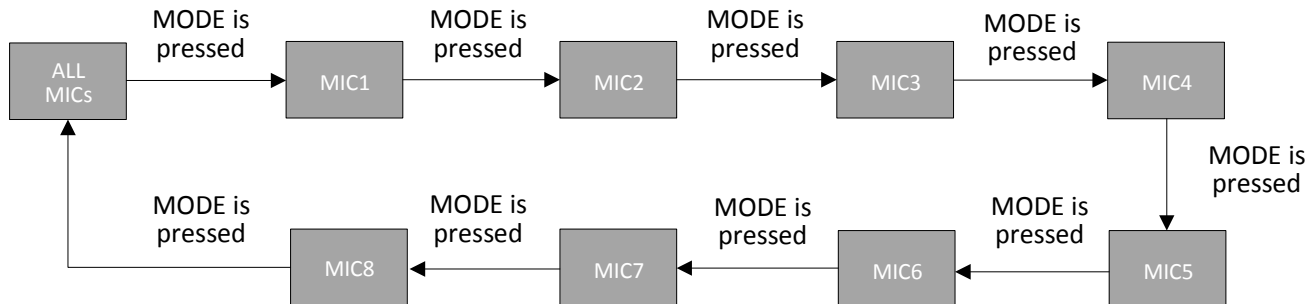


Figure 6.1. Mode Push Button Control Sequences Selected Microphone

The MODE LED is ON while the ALL MICs mode is selected and while the MODE button is being pressed.

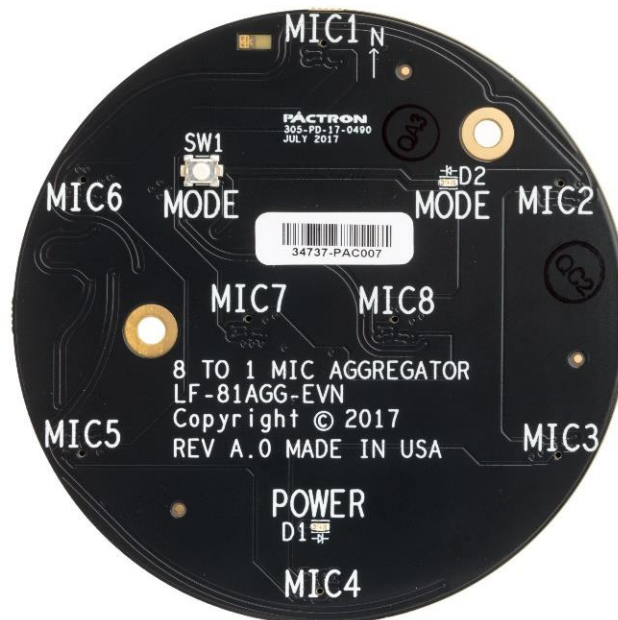


Figure 6.2. 8 to 1 Mic Aggregator Board (Daughter Board)

6.2. Oscilloscope Connection Points

Users can use an oscilloscope to observe the I²S 8-channel aggregation signals and the I²S 2-channel standard signals. The signals are available at FPGA-B header J30 on the iCE40 UltraPlus MDP.

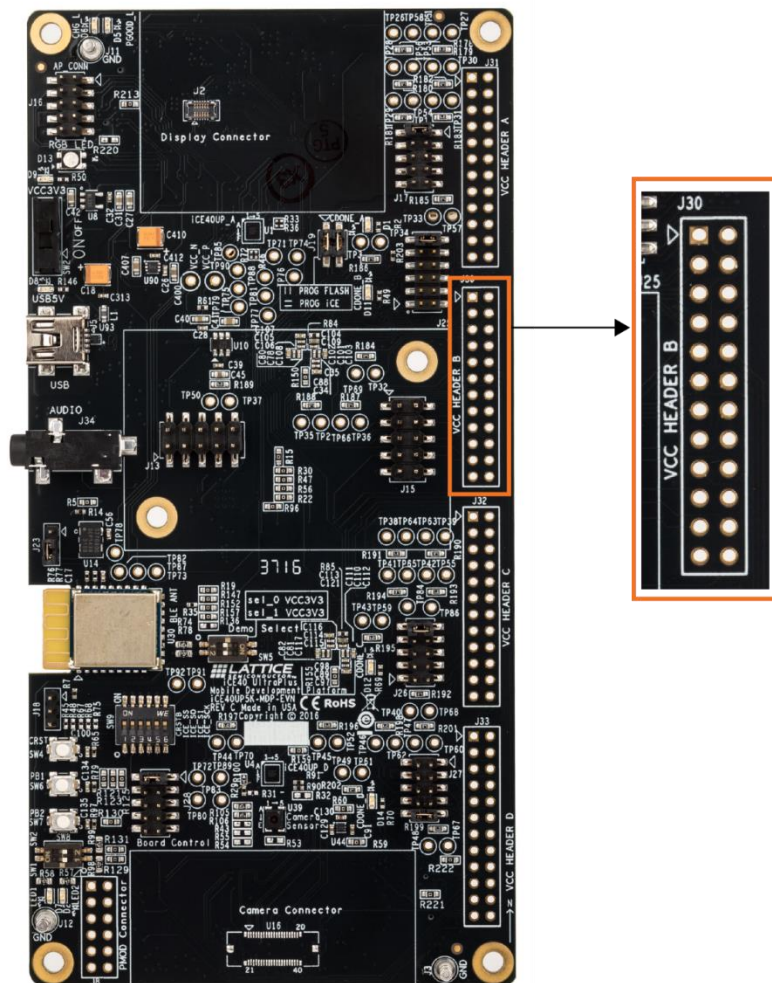


Figure 6.3. J30 Section on MDP Board

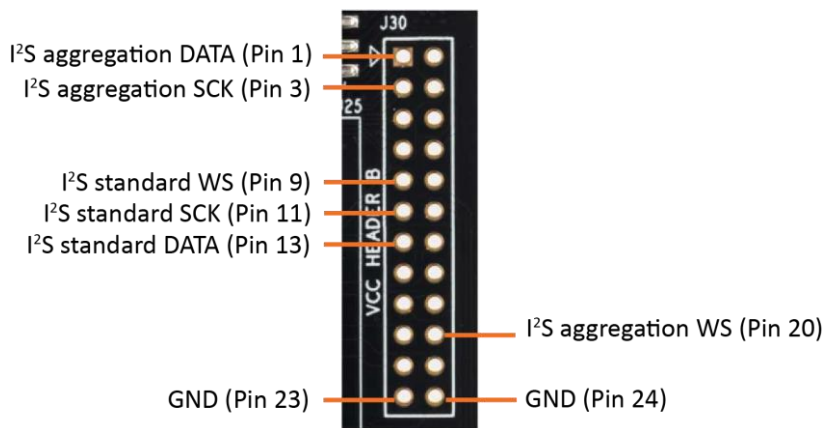


Figure 6.4. Header to Connect to the Oscilloscope

6.3. I²S Aggregation Signal Format

Figure 6.5 shows the aggregation time-division multiplexing (TDM) format for eight channels. The vertical lines indicate the first most significant bit (MSB) of each microphone channel.

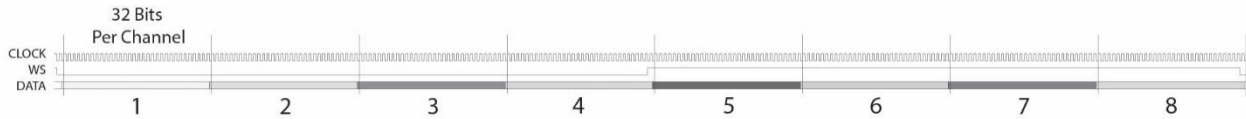


Figure 6.5. Aggregation TDM Format for 8 Channels

Figure 6.6 shows the I²S aggregation for channel 1.

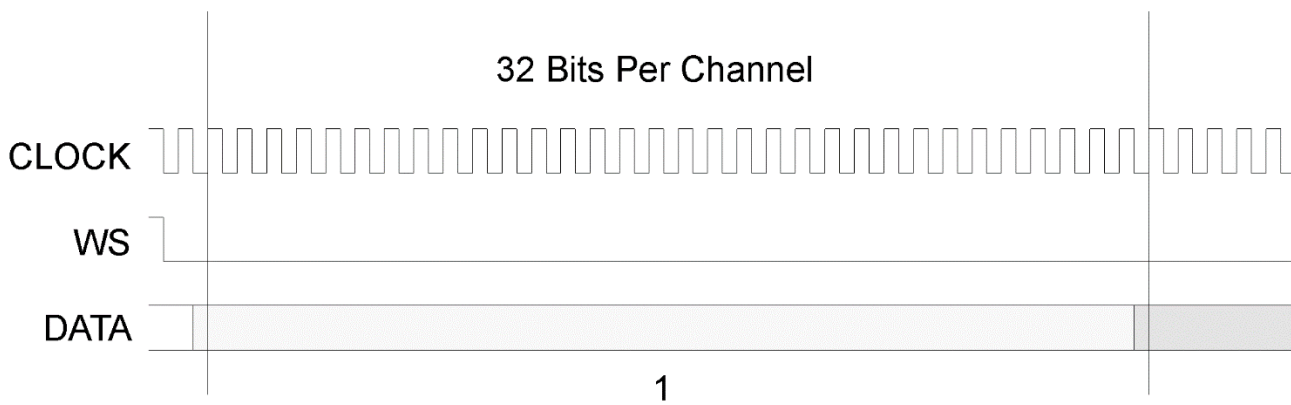


Figure 6.6. I²S Aggregation for Channel 1

Figure 6.7 shows the I²S aggregation for channel 8.

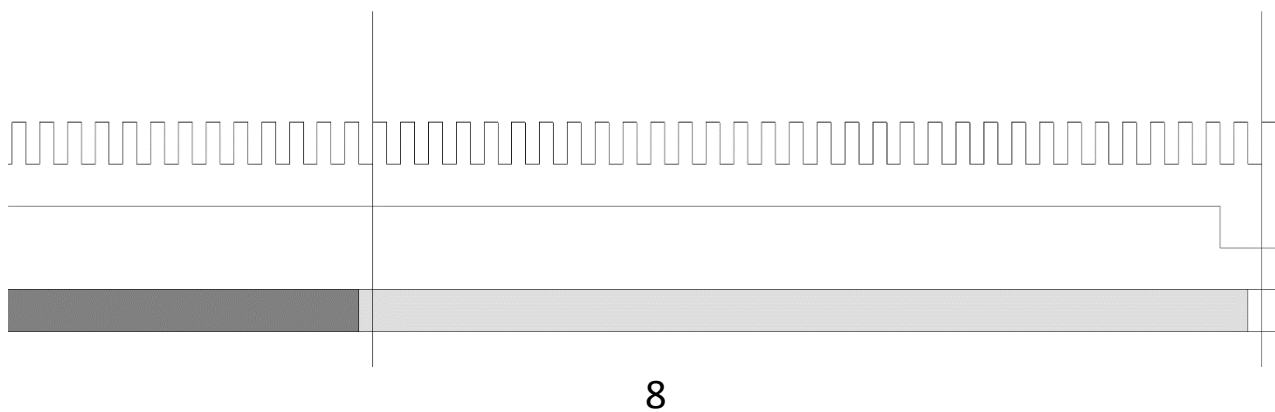


Figure 6.7. I²S Aggregation for Channel 8

6.4. Measured Oscilloscope I²S Aggregation Signals

Figure 6.8 shows the measured I²S aggregation signals for the eight channels.

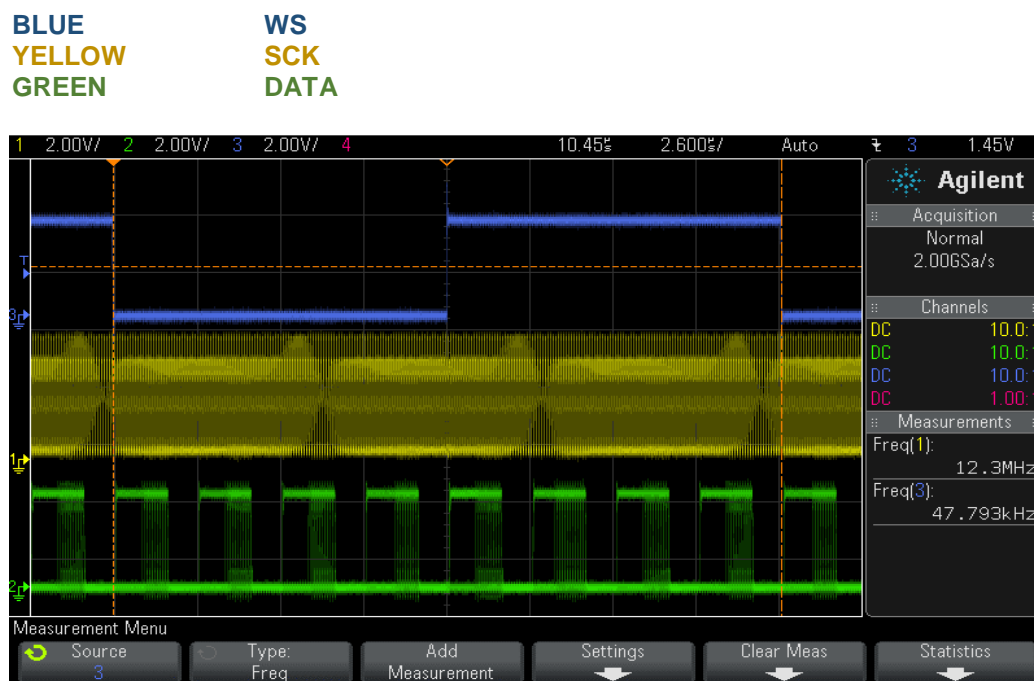


Figure 6.8. Measured I²S Aggregation Signals for 8 Channels

Figure 6.9 shows the measured I²S aggregation signals for channel 1.

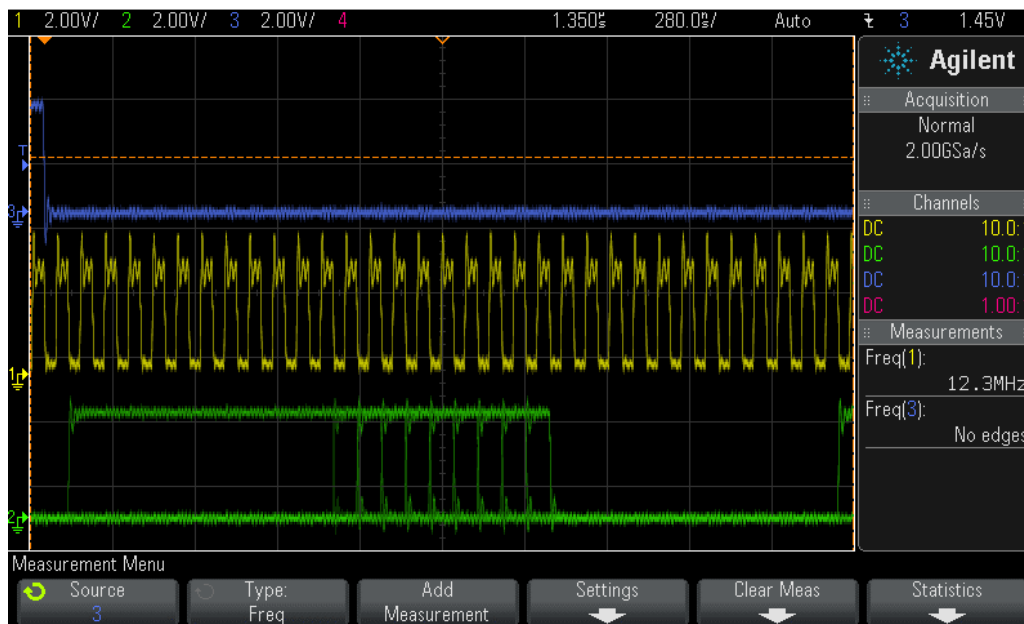
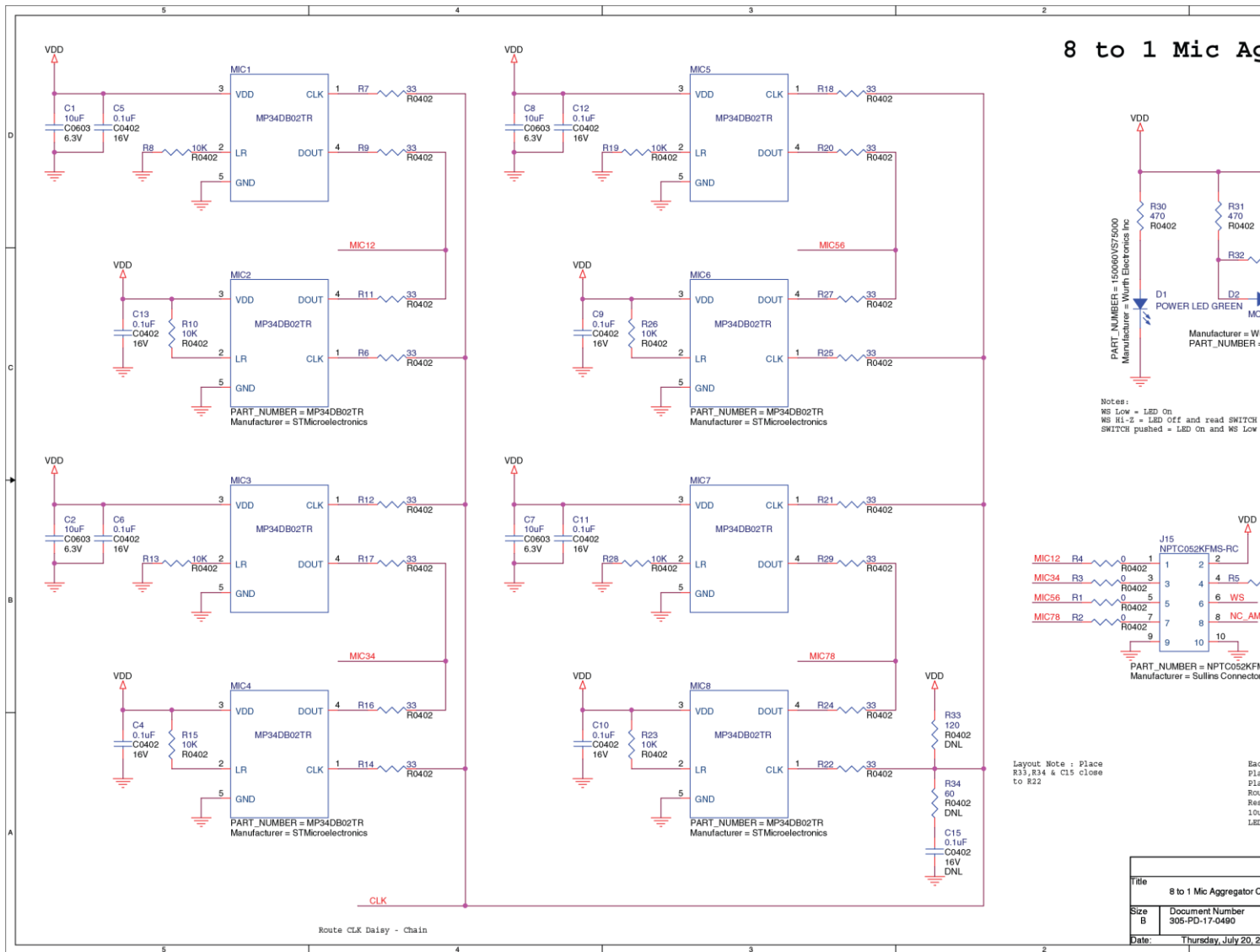


Figure 6.9. Measured I²S Aggregation Signals for Channel 1

Appendix A. Schematic Diagram



8 to 1 Mic Aggregator Card

Appendix B. Bill of Materials

8 to 1 Mic Aggregator Board Bill of Materials

Item	Reference Designator	QTY	Description	Package	Manufacturer	Part Number	Notes
1	C1,C2,C7,C8,C14	5	Capacitor Ceramic 10 uF 20% 6.3V X5R 0603	0603	Murata Electronics	GRM188R61A475ME15D	—
2	C4,C5,C6,C9,C10,C11,C12,C13	8	Capacitor Ceramic 0.1 uF 10% 16V X7R 0402	0402	Murata Electronics	GRM155R71C104KA88J	—
3	C15	1	Capacitor Ceramic 0.1 uF 10% 16V X7R 0402	0402	Murata Electronics	GRM155R71C104KA88J	DNL
4	D1	1	LED Green 0603	0603	Würth	150060VS75000	—
5	D2	1	LED Yellow 0603	0603	Würth	150060YS75000	—
6	J13,J15	2	Connector Header Female 2x5 0.1" Pitch	2x5 0.1" Pitch	Sullins	NPTC052KFMS-RC	—
7	MIC1,MIC2,MIC3,MIC4,MIC5,MIC6,MIC7,MIC8	8	Microphone PDM Omnidirectional -26DB	RHLGA (3x4x1) mm 4LD	STMicro-electronics	MP34DB02TR	—
8	R1,R2,R3,R4,R5	5	Resistor 0.0 Ω 5% 1/16W 0402	0402	Yageo	RC0402JR-070RL	—
9	R6,R7,R9,R11,R12,R14,R16,R17,R18,R20,R21,R22,R24,R25,R27,R29	16	Resistor 33 Ω 5% 1/16W 0402	0402	Yageo	RC0402JR-0733RL	—
10	R8,R10,R13,R15,R19,R23,R26,R28,R32	9	Resistor 10 K Ω 5% 1/16W 0402	0402	Yageo	RC0402JR-0710KL	—
11	R30,R31	2	Resistor 470 Ω 5% 1/16W 0402	0402	Yageo	RC0402FR-07470RL	—
12	R33	1	Resistor 120 Ω 1% 1/16W 0402	0402	Yageo	RC0402FR-07120RL	DNL
13	R34	1	Resistor 62 Ω 5% 1/16W 0402	0402	Yageo	RC0402FR-0762RL	DNL
14	SW1	1	Switch Push Button Momentary SPST-NO 0.05A 12 V	3.90 mm x 2.90 mm	E-Switch	TL1015AF160QG	—
15	8 to 1 MIC AGGREGATOR CARD REVA.0 PCB	1	Bare PCB	—	Pactron	305-PD-17-0490	—

Technical Support Assistance

For assistance, submit a technical support case at www.latticesemi.com/techsupport.

Revision History

Date	Version	Change Summary
February 2018	1.2	<ul style="list-style-type: none">Updated the software tool referenced in various sections to Lattice Radiant Software (Version 1.0) or to Lattice Radiant Programmer.Updated Device Properties image (Figure 5.1) and description.Added Figure 5.2 Program Device Button.Removed the Resource Utilization section.
November 2017	1.1	<ul style="list-style-type: none">Added content to Introduction and Functional Description sectionsUpdated Error! Reference source not found.
October 2017	1.0	Initial release.



7th Floor, 111 SW 5th Avenue
Portland, OR 97204, USA
T 503.268.8000
www.latticesemi.com

X-ON Electronics

Largest Supplier of Electrical and Electronic Components

Click to view similar products for [Programmable Logic IC Development Tools](#) category:

Click to view products by [Lattice](#) manufacturer:

Other Similar products are found below :

[HLDC-DDR3-A](#) [DK-DEV-5SGXEA7N](#) [EK-10M50F484](#) [EPXA4F672C2](#) [EPXA4F672C3](#) [EPXA4F672C1](#) [K0161](#) [LCMXO256C-S-EVN](#)
[12GSDIFMCCD](#) [SFP+X4FMCCD](#) [88980182](#) [P0582](#) [HW-PWAC-2600317](#) [DEV-17514](#) [LCMXO3D-9400HC-B-EVN](#) [P0671](#) [DK-K7-](#)
[CONN-G](#) [P0467](#) [LCMXO2-1200ZE-P1-EVN](#) [LCMXO2-4000HE-DSIB-EVN](#) [DK-DEV-4SGX530N](#) [LCMXO3L-SMA-EVN](#) [P006-006-2](#)
[EK-U1-VCU108-G](#) [A2F500-DEV-KIT-2](#) [LCMXO3LF-9400C-ASC-B-EVN](#) [471-014](#) [EVAL-TPG-ZYNQ3](#) [SL001](#) [80-001005](#) [P0466-EDU](#)
[EK-10CL025U256](#) [P0496](#) [P0493](#) [DK-SOC-10AS066S-A](#) [DK-DEV-10CX220-A](#) [80-001002](#) [iCE40UP5K-MDP-EVN](#) [RXCA10S066PF34-](#)
[IDK00A](#) [ALTHYDRAC5GX](#) [ALTNITROC5GX](#) [ALTBERYLLC5GX](#) [471-015](#) [LFE3-17EA-USB3-EVN](#) [1553](#) [4332](#) [Hinj](#) [HinjKit](#)
[SNOMAKRRKIT](#) [SnoMakrR10](#)