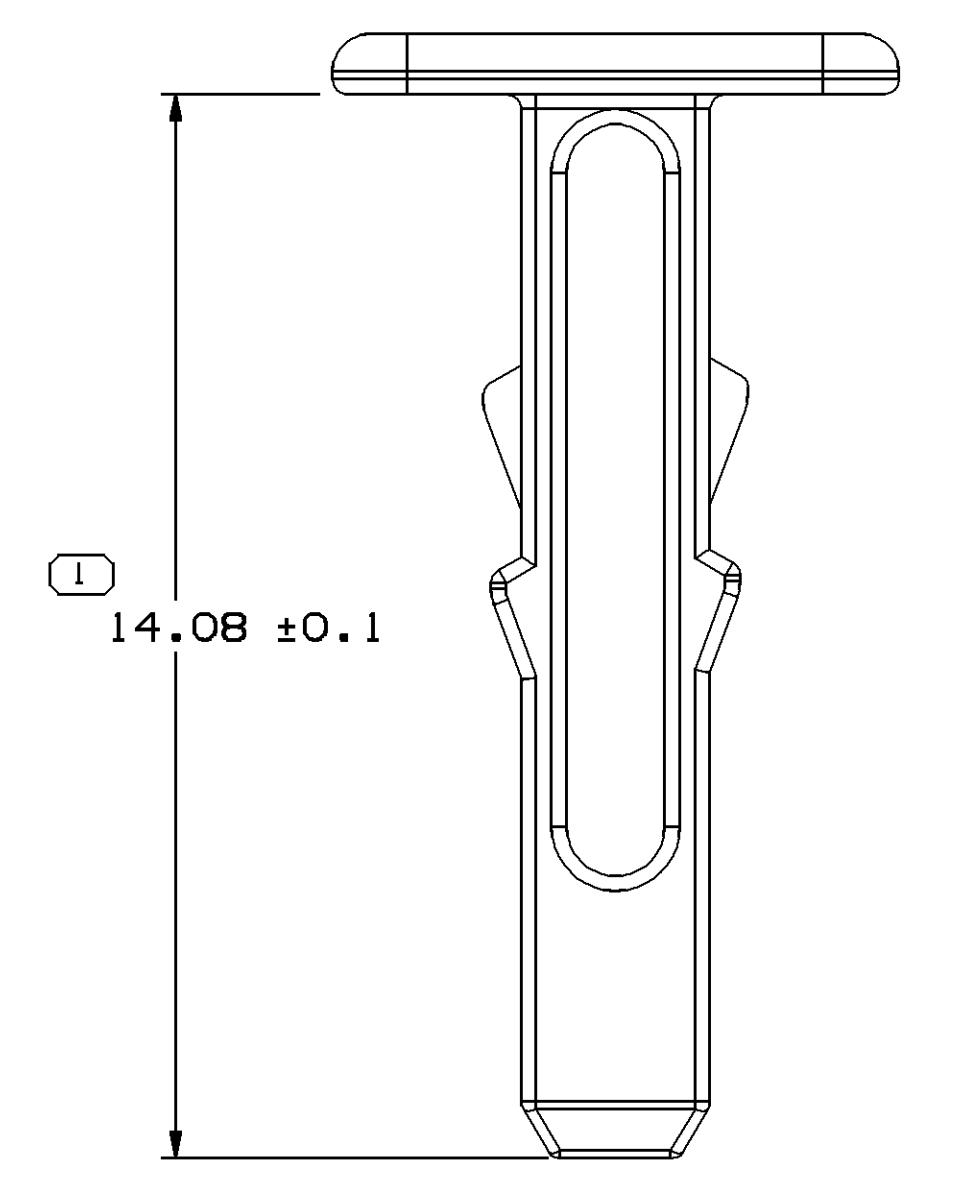
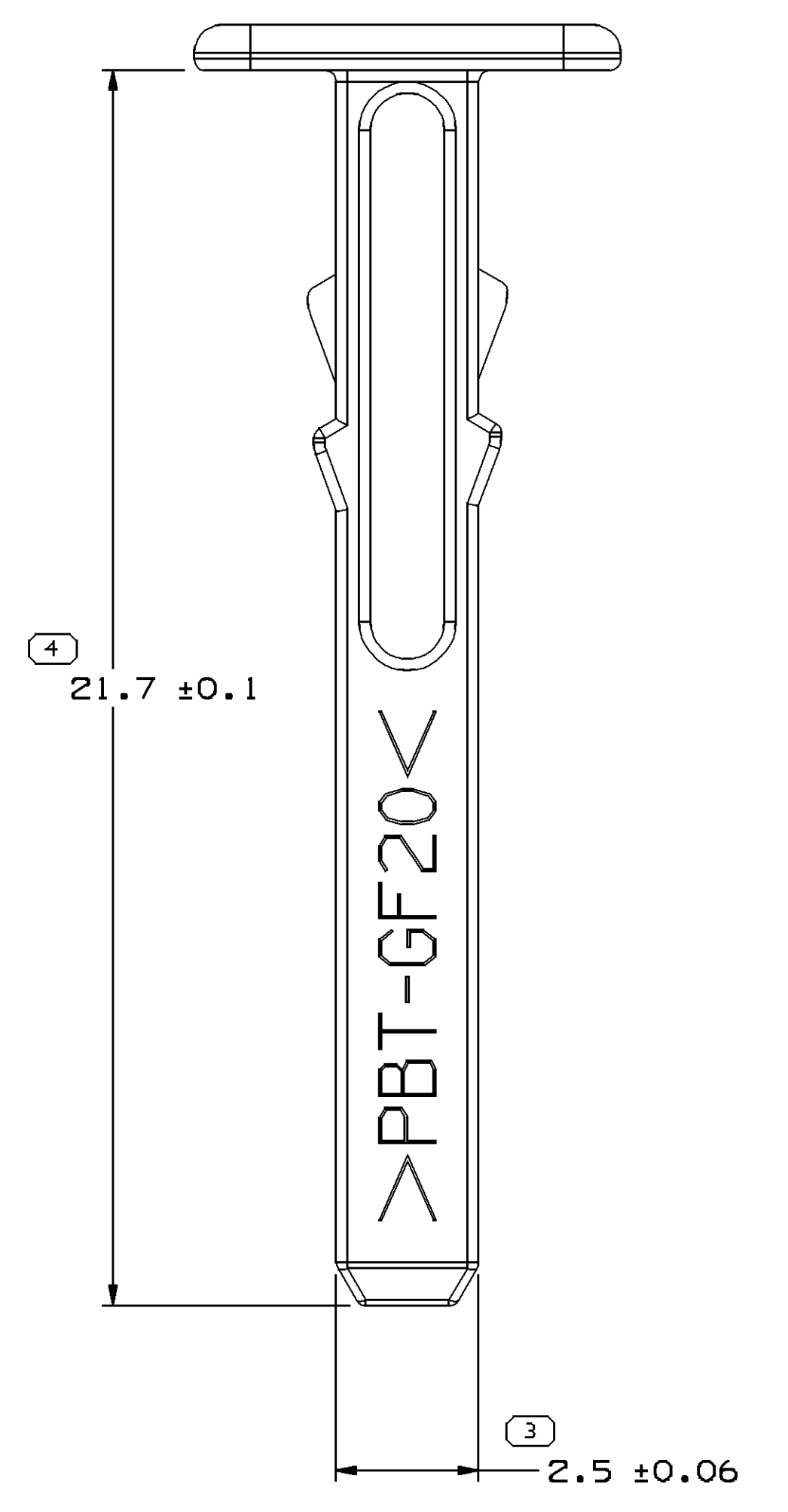


SYMBOL DEFINITION		TOTAL NO OF INSPECTIONS REQUIRED		LAST NO. USED	
A DIMENSION WITHOUT AN INSPECTION REPORT SYMBOL DOES NOT REQUIRE INSPECTION. IT MAY BE CONTROLLED ON THE INDIVIDUAL COMPONENT DRAWING.		7		7	

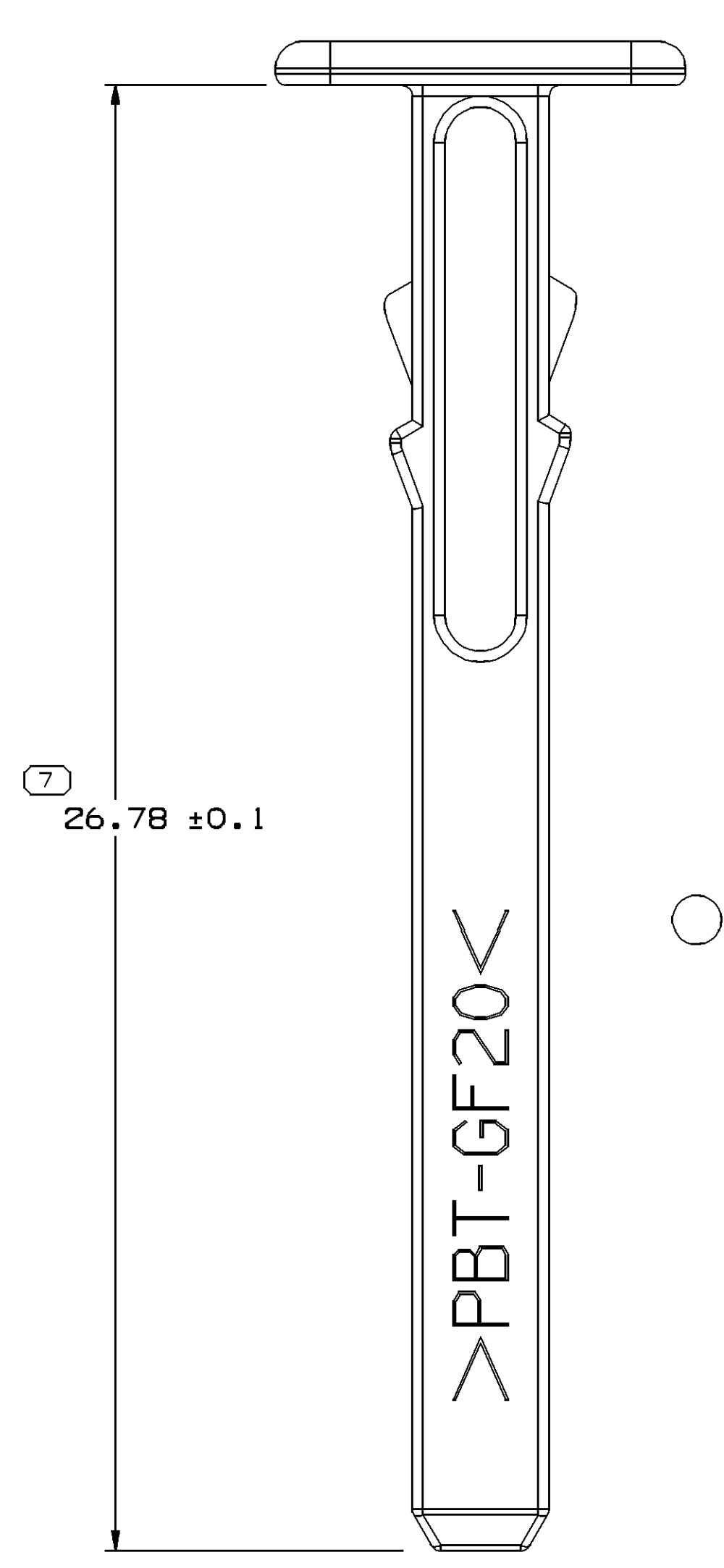
MISSING SYMBOLS					REVISION HISTORY			AUTH		DR		AP/VD	
DATE	STG	REV	N/P	CHG	ZONE								
25AP06	R	01	-	-		15486860 - RELEASED; 15486798 - WAS SEPARATE DWG			279481	PCP	PCP	NL	NL
14JN06	R	02	-	-		ALL PARTS - REVISED RADIUS ON 4 CORNERS TO 1MM; 13591733 - RELEASED; 15486860 - MATERIAL SPEC WAS M4629005			281675	RH	RH	NL	NL



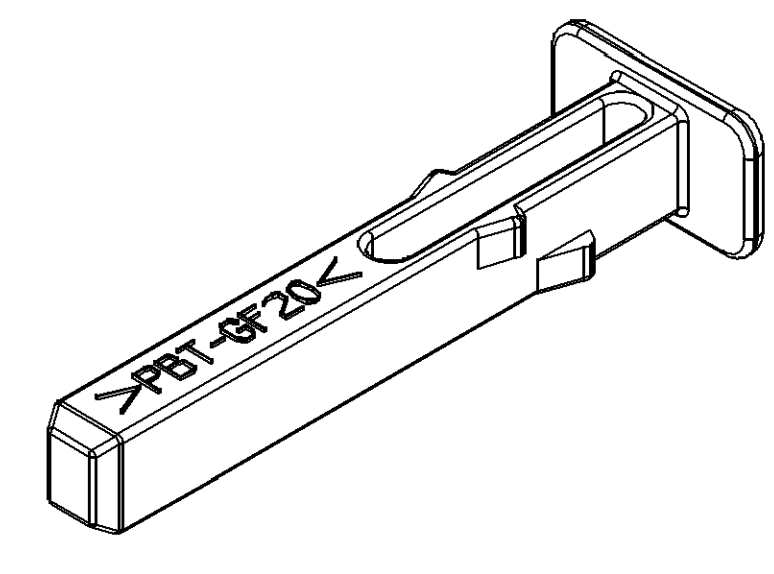
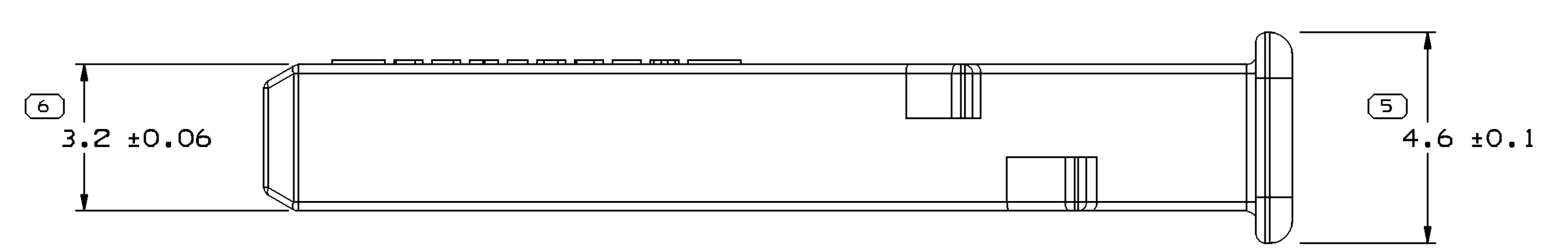
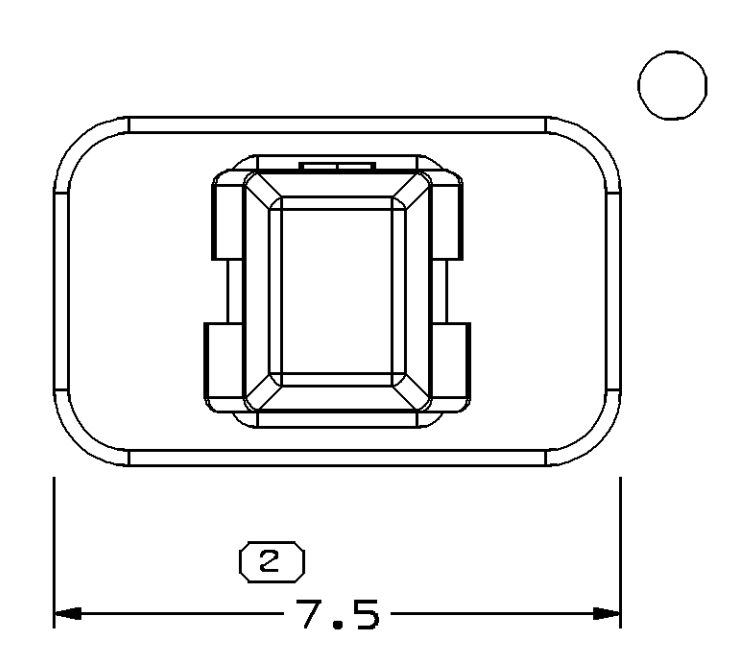
TYPE 102
SAME AS TYPE 101
EXCEPT AS SHOWN



TYPE 101



TYPE 103
SAME AS TYPE 101
EXCEPT AS SHOWN



NOTES

- UNLESS OTHERWISE SPECIFIED AND/OR INDICATED: DIMENSIONS ARE TO FACE OF VIEW SHOWN AND AUTOMATICALLY ROUNDED BY COMPUTER FOR INSPECTION (SEE MATH MODEL FOR PRECISE DIMENSIONS). FOR ALL OTHER DIMENSIONS NOT SHOWN BUT REQUIRED FOR TOOL BUILD, SEE MATH MODEL FOR PRECISE TOOL PATH DATA.
- MATERIAL RECYCLING CODE PER ISO 11469. (1)X(0.1) RAISED CHARACTERS AS SHOWN TO BE LOCATED ON ANY EXTERIOR SURFACE. OPTIONAL CONSTRUCTION TO BE NO MATERIAL RECYCLING CODE.
- (1)X(0.1) RAISED DELPHI CORPORATE BRAND TO BE LOCATED ON ANY EXTERIOR SURFACE, PREFERABLY VISIBLE AT FINAL ASSEMBLY. OPTIONAL CONSTRUCTION TO BE "PED" OR NO LOGO.

PART NO	REV	N/P	MATERIAL SPECIFICATION AND COLOR	TYPE	VOLUME	MATING CONNECTOR OR EQUIVALENT
13591733	01	-	M4629012 PBT GF20 LT GRA	103	0.199	13591731
15486860	02	-	M4629006 PBT GF20 YELLOW	102	0.098	15486854
15486798	02	-	M4629005 PBT GF20 ORN	101	0.159	15486792

DWG TYPE PART DRAWING		DISTR CODE D	
VOLUME (CMT) SEE CHART		UNLESS OTHERWISE SPECIFIED THIS DOCUMENT IS IN ACCORDANCE WITH ASME Y14.5M-1994 AS MODIFIED BY THE M-SCHEM. DIMENSIONING AND TOLERANCING ADDENDUMS. SEPARATE MATING OF FEATURES MAY BE BASED SEPARATELY PER USE OF DATUM REFERENCES.	
ALL DIMENSIONS ARE IN MILLIMETERS		THIRD ANGLE PROJECTION	
DO NOT SCALE USE MATH DATA		UNIGRAPHICS	

DIMENSIONAL RANGE (MM)				CHART					
FROM	>	TO		CHART	ET				
> 0	>	20	30	> 70	> 100	> 150	> 200	> 250	> 300
20	30	70	100	150	200	250	300	400	
TOLERANCE UNLESS OTHERWISE SPECIFIED									
±0.15	±0.2	±0.3	±0.4	±0.5	±0.6	±0.8	±1	±1.2	
ANGULAR TOLERANCE 30°									

DELPHI
DELPHI PACKARD ELECTRIC SYSTEMS
WARREN, OH

DR	DATE
APV01 P. C. PRIDMORE	25AP06
APV02 P. C. PRIDMORE	25AP06
APV03 NICOLE LIPTAK	25AP06
APV04	
APV05	

UNLESS OTHERWISE SPECIFIED
SUBSTANCES OF CONCERN AND RECYCLED
CONTENT PER DELPHI 10949001

MATERIAL
SEE CHART

DRAWING NAME
TAXI LOCK SECONDARY COMB MICRO HVT

DRAWING NUMBER
13583597

SIZE	SCALE	FRAME NO	SHEET NO	STG	REV	N/P
A0	10:1	1	2	1	02	-

Date: 19-Jun-06 Time: 16:16

X-ON Electronics

Largest Supplier of Electrical and Electronic Components

Click to view similar products for [Automotive Connectors](#) category:

Click to view products by [Delphi](#) manufacturer:

Other Similar products are found below :

[003-018-000](#) [600858](#) [60403001](#) [60993906-B](#) [60993913-B](#) [629515004020001](#) [M902-2131](#) [M902-2161](#) [M902-2344](#) [72.330.1035.1](#)
[73.353.4028.0](#) [F118010](#) [F119300-B](#) [F132210](#) [F132210-B](#) [F166900](#) [F180100](#) [F258300](#) [F258300-B](#) [F294300-B](#) [F339100](#) [F339700](#) [F358300-](#)
[B](#) [F374110](#) [F407400](#) [F412210](#) [F427600](#) [F444110](#) [F487000](#) [F495100-B](#) [F500900-B](#) [F509500B-B](#) [770444-1](#) [776880-1](#) [827153-1](#) [881735-1](#)
[8N1515-32-24P](#) [9-1326727-8](#) [9-1326729-8](#) [925467-1](#) [925474-1](#) [928905-1](#) [936398-2](#) [964562-1](#) [964562-4](#) [964731-2](#) [965051-1](#) [968782-1](#)
[GT17SA-8DS-HU](#) [GT17VS-10DP-5.2CF](#)