

# Ducon Series

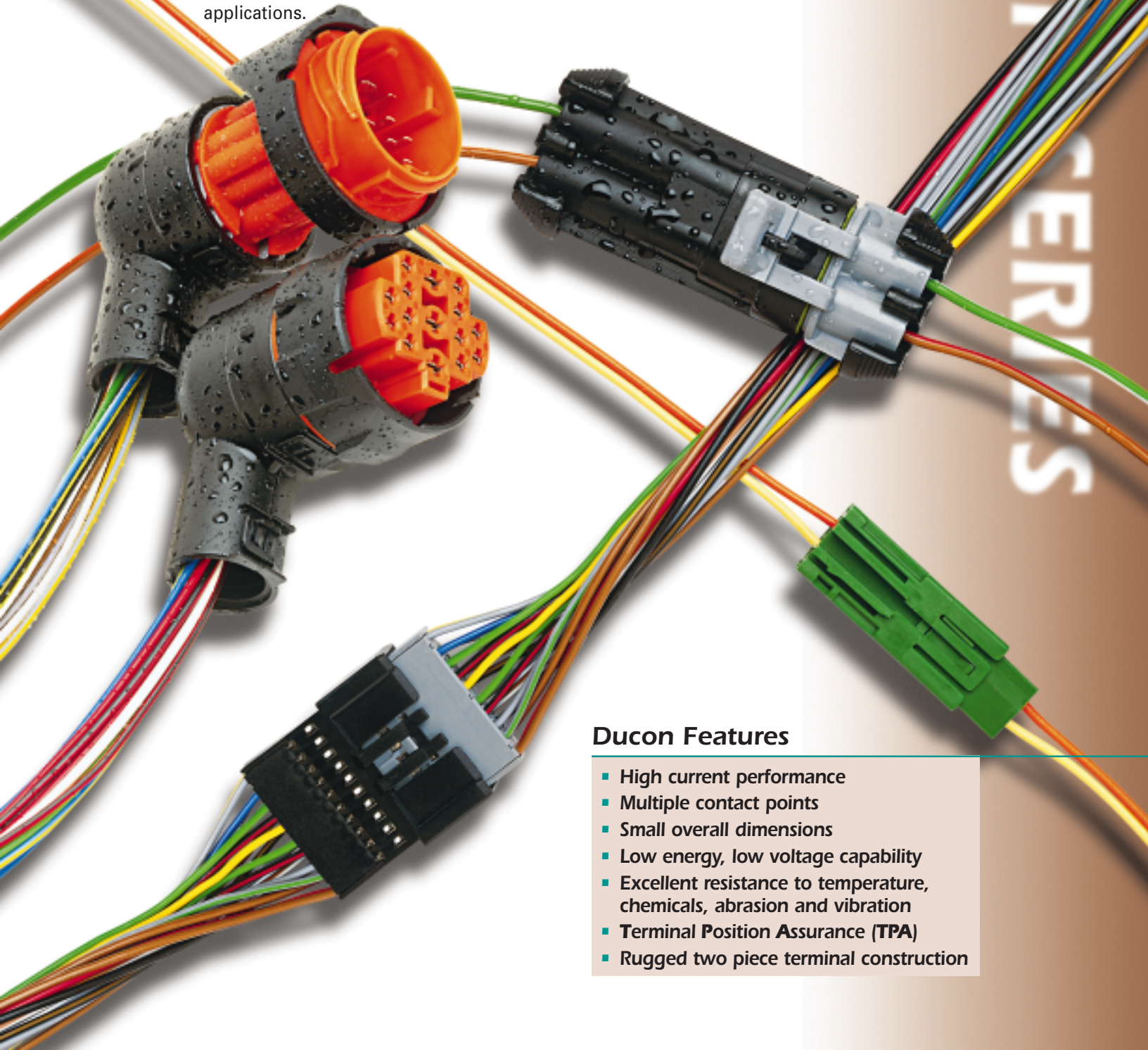
## 0.8, 1.5, 2.8, 4.8, 6.3 & Mixed



Available in both in-line and device connections for all underhood vehicle applications. By utilizing multiple contact points, the system offers exceptional electrical stability, even in high vibration applications.



Available in both device and in-line connection systems for all vehicle applications. Exceptional performance in both high and low current applications.

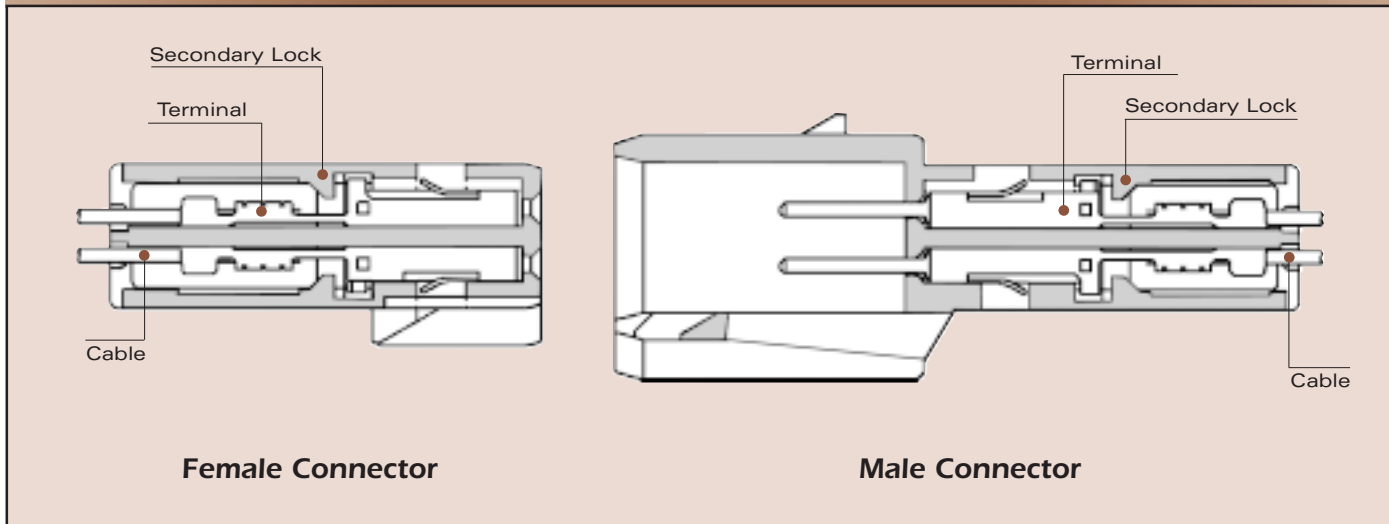


### Ducon Features

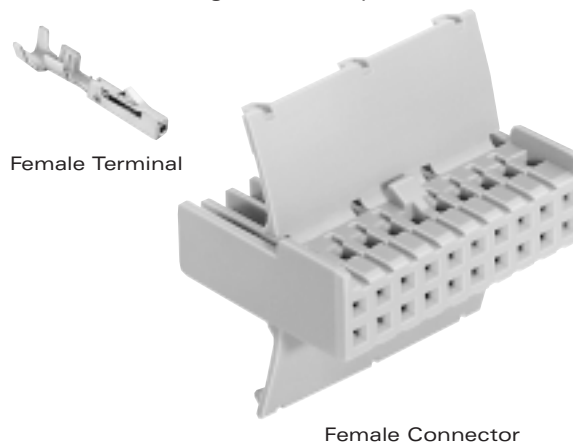
- High current performance
- Multiple contact points
- Small overall dimensions
- Low energy, low voltage capability
- Excellent resistance to temperature, chemicals, abrasion and vibration
- Terminal Position Assurance (TPA)
- Rugged two piece terminal construction



**Cross Sectional View**



Hinged Secondary Lock



**0.8 FEMALE TERMINAL UNSEALED**

Part #	Cable Range (mm <sup>2</sup> )	Material	Plating
12131423	1.0-0.5	Copper Nickel Silicon Alloy	Tin

**0.8 FEMALE CONNECTOR UNSEALED**

# Cavities	Connector	Color	Material
20	15344037	Gray	PA6

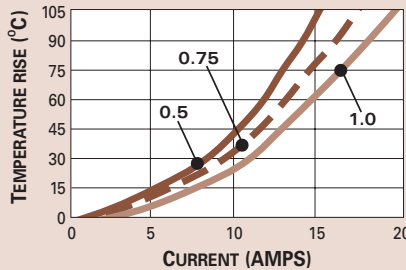


## Unsealed System Application Information

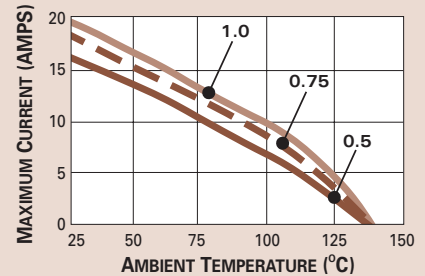
**CABLE RANGE (mm<sup>2</sup>):** ..... 0.5-1.0  
**CURRENT RANGE (AMPS):** ..... 0-15  
**TEMP RANGE °C:** ..... -40 to 135  
**RESISTANCE:** ..... <10mΩ@20mV  
**VOLTAGE DROP:** ..... <4.0mV/amp  
**CENTERLINE SPACING (mm):** ..... 3.0  
**BLADE WIDTH (mm):** ..... 0.8

### 0.8 SERIES TERMINALS-Tin Plated

TEMPERATURE RISE ABOVE AMBIENT (25°C) VS CURRENT\*



TEMPERATURE DERATING CURVES\*



\*The test data are based on single circuits in free space and were generated using a "Lumped Resistance" model. This model does not account for all of the variables that would be present in an actual application. For actual product performance, contact your regional representative at the number listed below.

Hinged Secondary Lock



Male Connector



Male Terminal



#### 0.8 MALE CONNECTOR UNSEALED

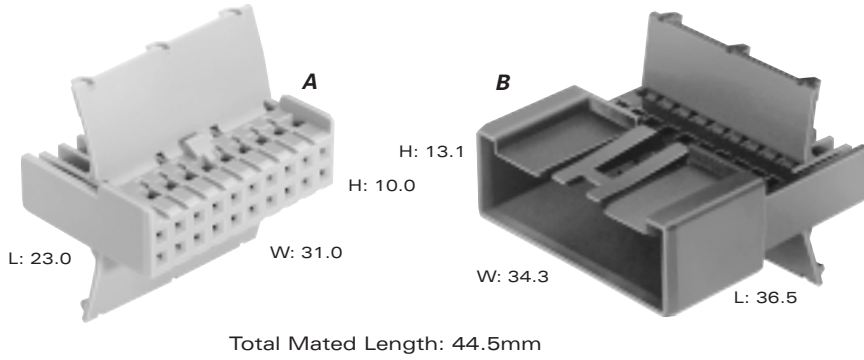
# Cavities	Connector	Color	Material
20	15344038	Black	PA6

#### 0.8 MALE TERMINAL UNSEALED

Part #	Cable Range (mm <sup>2</sup> )	Material	Plating
15327159	1.0-0.50	Copper Nickel Silicon Alloy	Tin

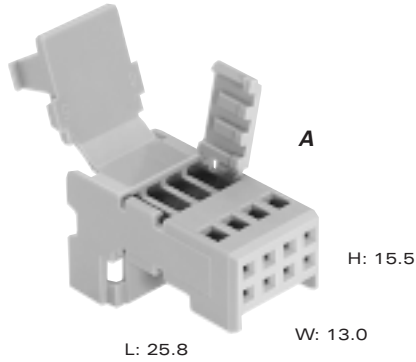
#### SECTION NOTES:

- Contact your regional support representative at the number listed below.
- Ducon Connection Systems have been validated using DIN Cable Standards.



**A PART NO: 15344037**  
DESCRIPTION: Connector 20F  
SIZE: 23.0L x 10.0H x 31.0W  
COLOR: Gray  
MATERIAL: PA6  
TERMINALS: See Page 198

**B PART NO: 15344038**  
DESCRIPTION: Connector 20M  
SIZE: 36.5L x 13.1H x 34.3W  
COLOR: Black  
MATERIAL: PA6  
TERMINALS: See Page 199

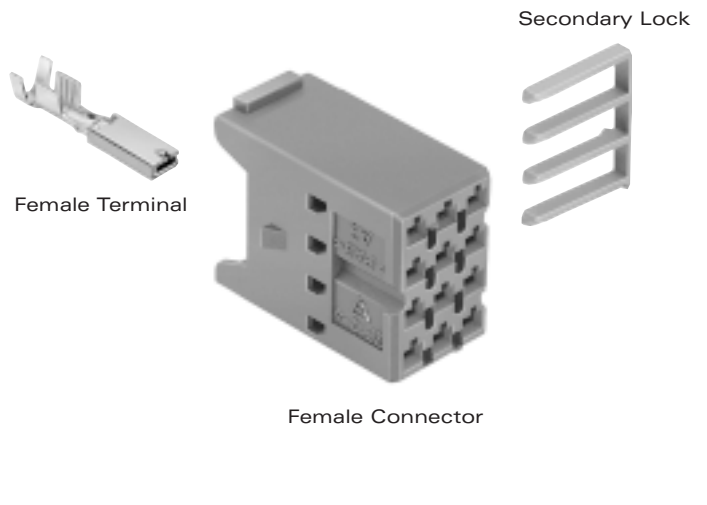
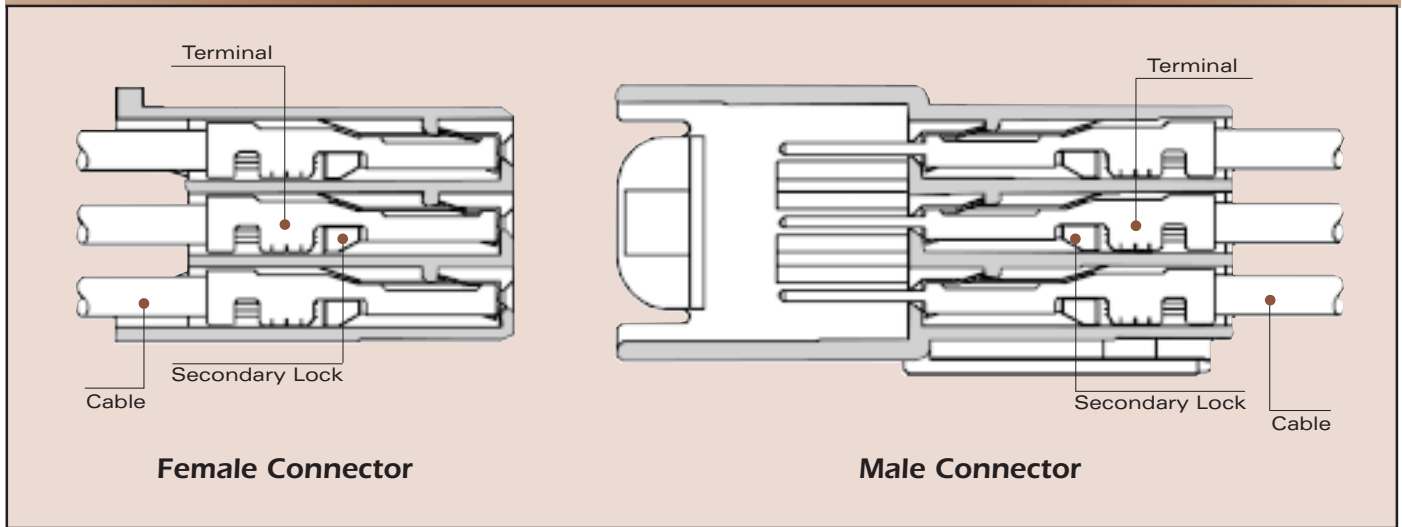


**A** PART NO: **15327190**  
DESCRIPTION: Connector 8F  
SIZE: 25.8L x 15.5H x 13.0W  
COLOR: Gray  
MATERIAL: PA66  
TERMINALS: See Page 198





Cross Sectional View



1.5 FEMALE TERMINALS UNSEALED

Part #	Cable Range (mm <sup>2</sup> )	Material	Plating
12147302	1.0-0.5	Copper Nickel Silicon Alloy	Tin
12147303	2.5-1.5	Copper Nickel Silicon Alloy	Tin

1.5 FEMALE CONNECTORS UNSEALED

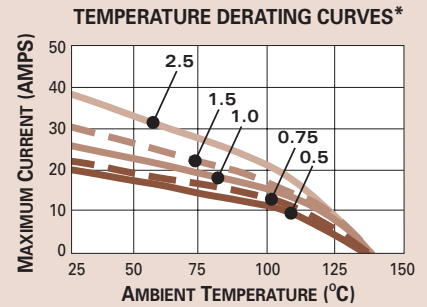
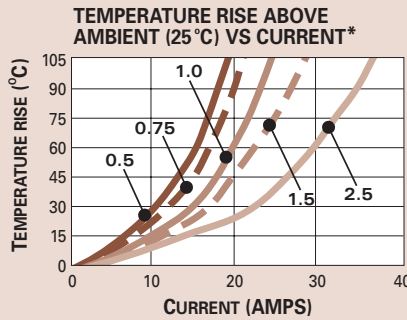
# Cavities	Connector	Color	Material	Secondary Lock
9	15336766	Blue	PA6	15354674
12	12185284	Green	PA6	12198533
15	12185081	Black	PA6	12185080



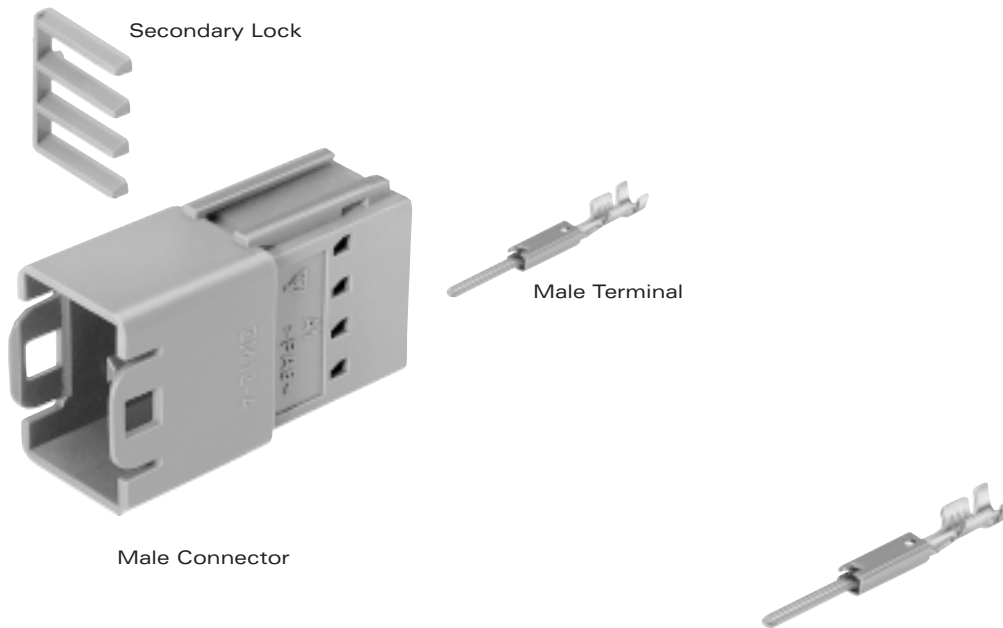
## Unsealed System Application Information

**CABLE RANGE (mm<sup>2</sup>):** ..... 0.5-2.5  
**CURRENT RANGE (AMPS):** ..... 25  
**TEMP RANGE °C:** ..... -40 to 135  
**RESISTANCE:** ..... <10mΩ@20mV  
**VOLTAGE DROP:** ..... <4.0mV/amp  
**CENTERLINE SPACING (mm):** ..... 4.5  
**BLADE WIDTH (mm):** ..... 1.5

### 1.5 SERIES TERMINALS-Tin Plated



\*The test data are based on single circuits in free space and were generated using a "Lumped Resistance" model. This model does not account for all of the variables that would be present in an actual application. For actual product performance, contact your regional support representative at the number listed below.



#### 1.5 MALE CONNECTORS UNSEALED

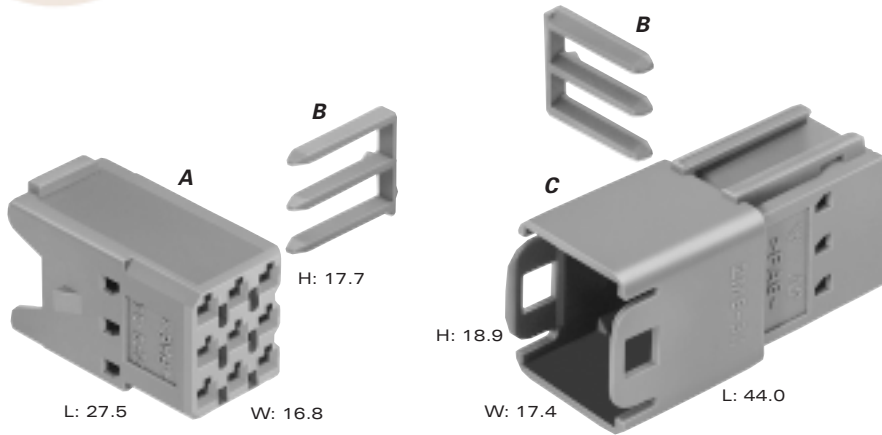
# Cavities	Connector	Color	Material	Secondary Lock
9	12185085	Blue	PA6	15354674
12	12184963	Green	PA6	12198533
15	12184934	Black	PA6	12184935

#### 1.5 MALE TERMINALS UNSEALED

Part #	Cable Range (mm <sup>2</sup> )	Material	Plating
12147299	1.0-0.5	Copper Nickel Silicon Alloy	Tin
12147300	2.5-1.5	Copper Nickel Silicon Alloy	Tin

#### SECTION NOTES:

- Contact your regional support representative at the number listed below.
- Ducon Connection Systems have been validated using DIN Cable Standards.

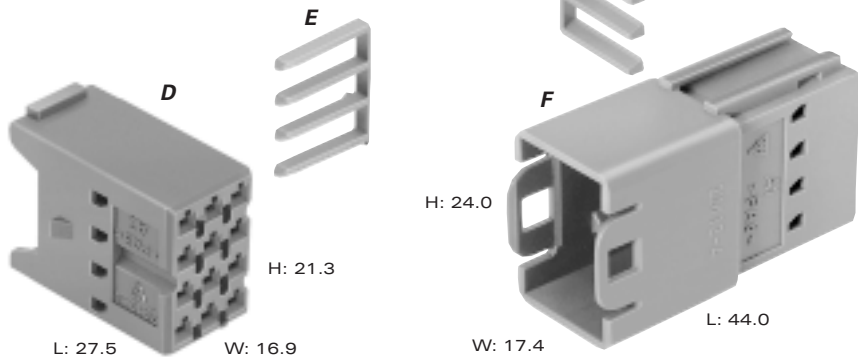


Total Mated Length: 50.5mm

**A PART NO: 15336766**  
 DESCRIPTION: Connector 9F  
 SIZE: 27.5L x 17.7H x 16.8W  
 COLOR: Blue  
 MATERIAL: PA6  
 TERMINALS: See Page 202

**C PART NO: 12185085**  
 DESCRIPTION: Connector 9M (Clip Slot)  
 SIZE: 44.0L x 18.9H x 17.4W  
 COLOR: Blue  
 MATERIAL: PA6  
 TERMINALS: See Page 203

**B PART NO: 15354674**  
 DESCRIPTION: Secondary Lock  
 NUMBER REQ: 2  
 COLOR: Gray  
 MATERIAL: PA6 15% GF



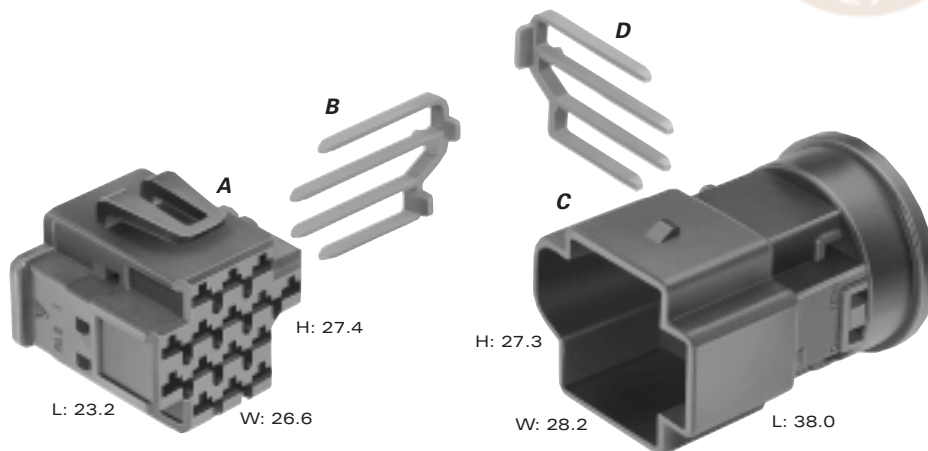
Total Mated Length: 50.5mm

**D PART NO: 12185284**  
 DESCRIPTION: Connector 12F  
 SIZE: 27.5L x 21.3H x 16.9W  
 COLOR: Green  
 MATERIAL: PA6  
 TERMINALS: See Page 202

**F PART NO: 12184963**  
 DESCRIPTION: Connector 12M (Clip Slot)  
 SIZE: 44.0L x 24.0H x 17.4W  
 COLOR: Green  
 MATERIAL: PA6  
 TERMINALS: See Page 203

**E PART NO: 12198533**  
 DESCRIPTION: Secondary Lock  
 NUMBER REQ: 2  
 COLOR: Gray  
 MATERIAL: PA6 15% GF





Total Mated Length: 47.0mm

**A PART NO: 12185081**  
 DESCRIPTION: Connector 15F  
 SIZE: 23.2L x 27.4H x 26.6W  
 COLOR: Black  
 MATERIAL: PA6  
 TERMINALS: See Page 202

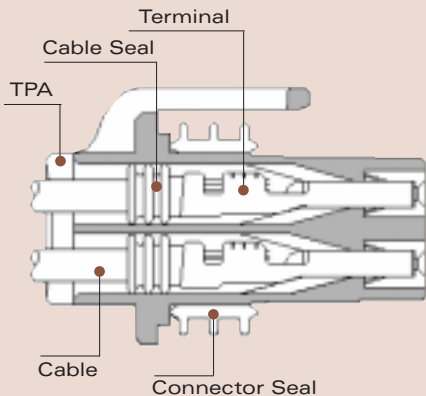
**B PART NO: 12185080**  
 DESCRIPTION: Secondary Lock  
 COLOR: Gray  
 MATERIAL: PA6 15% GF

**C PART NO: 12184934**  
 DESCRIPTION: Connector 15M  
 SIZE: 38.0L x 27.3H x 28.2W  
 COLOR: Black  
 MATERIAL: PA6  
 TERMINALS: See Page 203

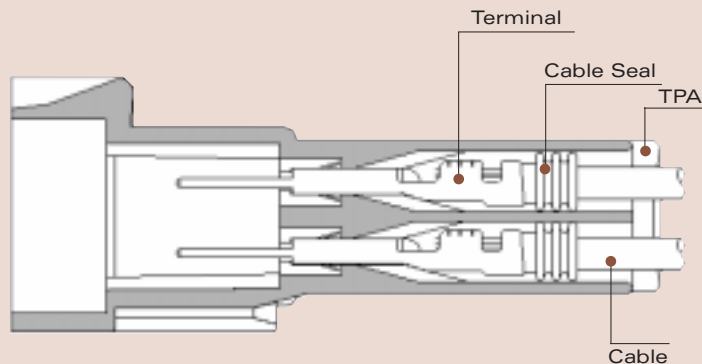
**D PART NO: 12184935**  
 DESCRIPTION: Secondary Lock  
 COLOR: Gray  
 MATERIAL: PA6 15% GF



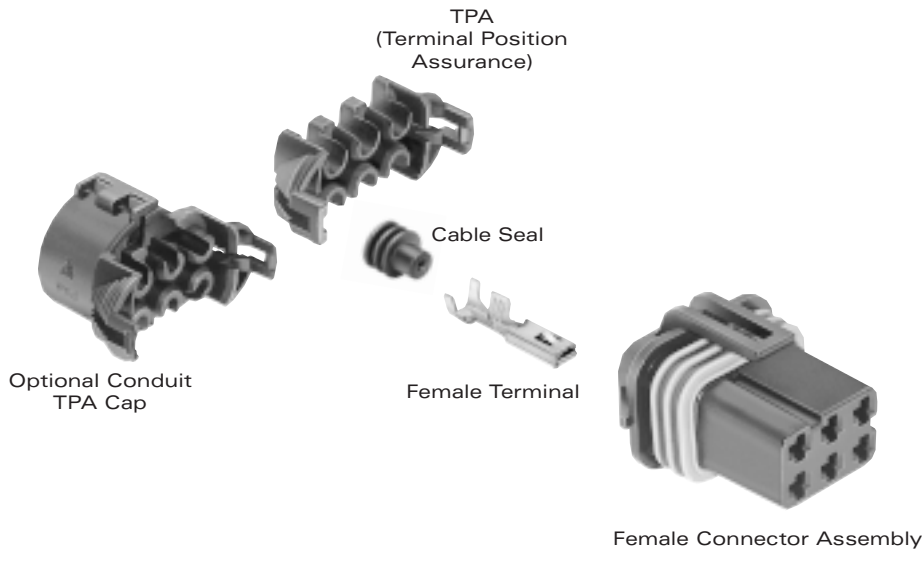
**Cross Sectional View**



**Female Connector Assembly**



**Male Connector**



**2.8 FEMALE TERMINALS SEALED**

Part #	Cable Range (mm <sup>2</sup> )	Material	Plating
12158098	1.5-0.5	Copper Nickel Silicon Alloy	Tin
12185008	2.5-1.5	Copper Nickel Silicon Alloy	Tin

**2.8 FEMALE CONNECTOR ASSEMBLY SEALED**

# Cavities	Connector	Color	Material	TPA
6	15344052	Black	PA6	12185000
Optional Conduit	TPA Cap	Black	PA6	10717815

**2.8 DUCON CABLE SEALS**

Reel Part #	Loose Part #	Cable Diameter	Material	Color
12089442	12048087	2.00-1.20	Silicone	Blue
10720769	15363981	2.40-1.60	Silicone	White
15363992	12048086	2.90-2.00	Silicone	Dk. Red

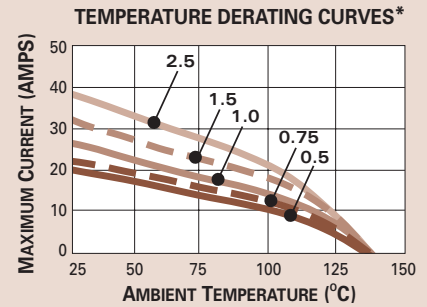
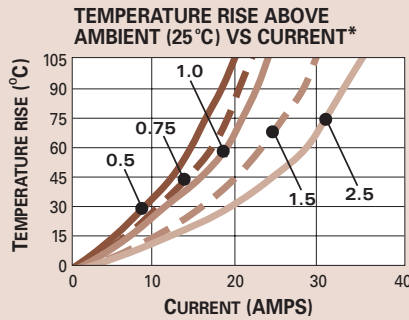
<http://delphi.com/products/connect>



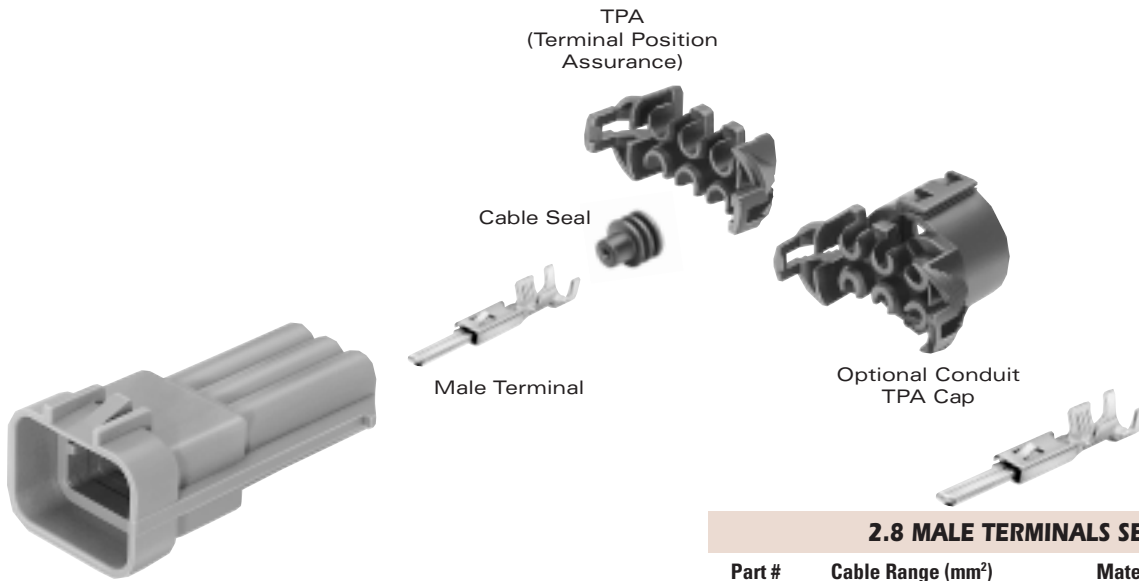
## Sealed System Application Information

**CABLE RANGE (mm<sup>2</sup>):** ..... 0.5-2.5  
**CURRENT RANGE (AMPS):** ..... 33  
**TEMP RANGE °C:** ..... -40 to 135  
**RESISTANCE:** ..... <10mΩ@20mV  
**VOLTAGE DROP:** ..... <4.0mV/amp  
**CENTERLINE SPACING (mm):** ..... 6.0  
**BLADE WIDTH (mm):** ..... 2.8

### 2.8 SERIES TERMINALS-Tin Plated



\*The test data are based on single circuits in free space and were generated using a "Lumped Resistance" model. This model does not account for all of the variables that would be present in an actual application. For actual product performance, contact your regional support representative at the number listed below.



Male Connector

#### 2.8 MALE CONNECTOR SEALED

# Cavities	Connector	Color	Material	TPA
6	12185126	Gray	PA6	12185000
Optional Conduit	TPA Cap	Black	PA6	10717815

#### 2.8 MALE TERMINALS SEALED

Part #	Cable Range (mm <sup>2</sup> )	Material	Plating
12185129	1.5-0.5	Copper Nickel Silicon Alloy	Tin
12185237	2.5-1.5	Copper Nickel Silicon Alloy	Tin



#### 2.8 DUCON CAVITY PLUGS\*

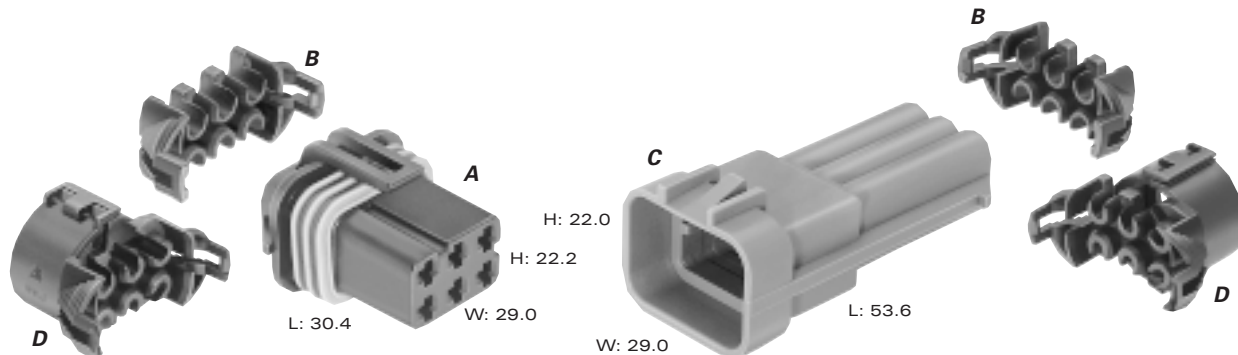
Part #	Cavity Inside Diameter	Material	Color
15337197	5.2mm	Silicone	White
10730124	5.2mm	Silicone	Green

\*Cavity plugs seal unused female and male cavities.

#### SECTION NOTES:

- Contact your regional support representative at the number listed below.
- Ducon Connection Systems have been validated using DIN Cable Standards.

<http://delphi.com/products/connect>



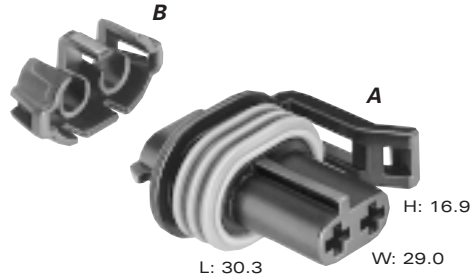
Total Mated Length: 67.0mm

**A PART NO: 15344052**  
 DESCRIPTION: Connector Assembly 6F  
 SIZE: 30.4L x 22.2H x 29.0W  
 COLOR: Black  
 MATERIAL: PA6  
 TERMINALS: See Page 206

**C PART NO: 12185126**  
 DESCRIPTION: Connector 6M (Clip Slot)  
 SIZE: 53.6L x 22.0H x 29.0W  
 COLOR: Gray  
 MATERIAL: PA6  
 TERMINALS: See Page 207

**B PART NO: 12185000**  
 DESCRIPTION: TPA  
 NUMBER REQ: 2  
 COLOR: Black  
 MATERIAL: PA6

**D PART NO: 10717815 (Optional)**  
 DESCRIPTION: Conduit TPA Cap  
 NUMBER REQ: 2  
 COLOR: Black  
 MATERIAL: PA6



**A** PART NO: **12185026\*(Black)**  
**15344040\*(Blue)**  
**15344042\*(White)**

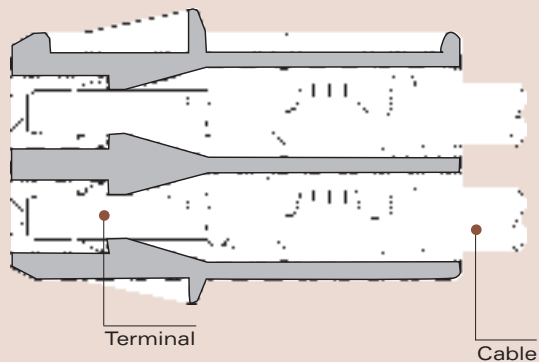
DESCRIPTION: Connector 2F  
SIZE: 30.3L x 16.9H x 29.0W  
MATERIAL: PA6  
TERMINALS: See Page 206  
\*DIFFERENT INDEXING FEATURES.

**B** PART NO: **12185027**

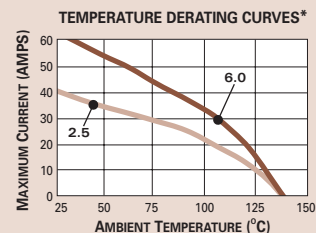
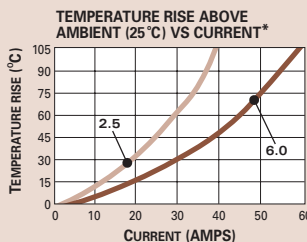
DESCRIPTION: TPA  
COLOR: Black  
MATERIAL: PA6



## Unsealed System Application Information



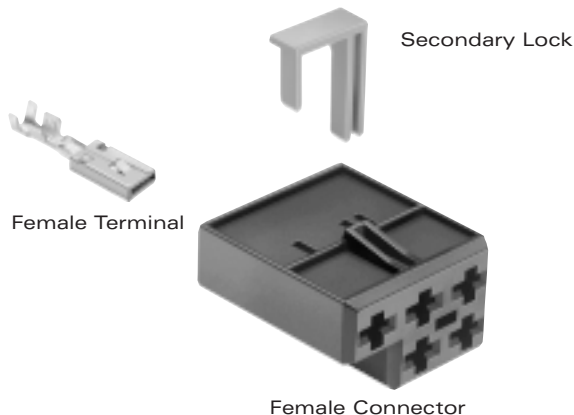
### 4.8 SERIES TERMINALS-Tin Plated



CABLE RANGE (mm<sup>2</sup>): ..... **0.5-6.0**  
 CURRENT RANGE (AMPS): ..... **45**  
 TEMP RANGE °C: ..... **-40 to 135**  
 RESISTANCE: ..... **<10mΩ@20mV**

VOLTAGE DROP: ..... **<4.0mV/amp**  
 CENTERLINE SPACING (mm): ..... **6.8**  
 BLADE WIDTH (mm): ..... **4.8**

\*The test data are based on single circuits in free space and were generated using a "Lumped Resistance" model. This model does not account for all of the variables that would be present in an actual application. For actual product performance, contact your regional support representative at the number listed below.

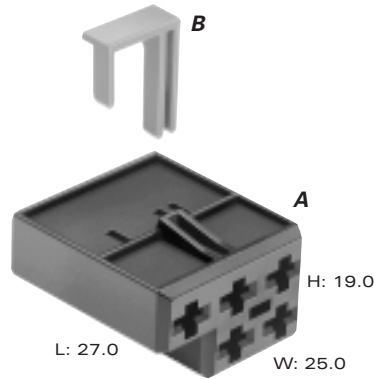


### 4.8 FEMALE TERMINALS UNSEALED

Part #	Cable Range (mm <sup>2</sup> )	Material	Plating
12185227	1.0-0.5	Copper Nickel Silicon Alloy	Tin
12147596	2.5-1.5	Copper Nickel Silicon Alloy	Tin
12147597	6.0-4.0	Copper Nickel Silicon Alloy	Tin

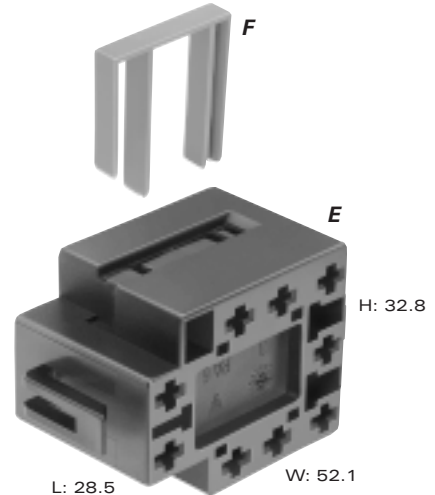
### 4.8 FEMALE CONNECTORS UNSEALED

# Cavities	Connector	Color	Material	Secondary Lock
5	12147099	Black	PA6	12147098
6	15344072	Black	PA6	10717827
9	10740403	Black	PA6	10740404
12	10717711	Black	PA6	10717826



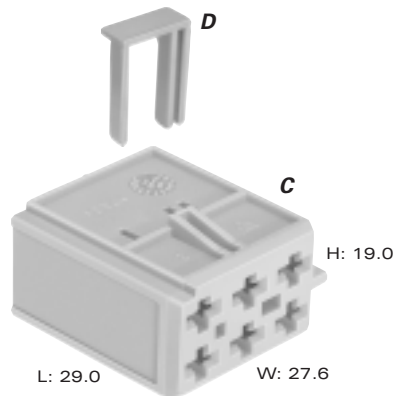
**A PART NO: 12147099**  
 DESCRIPTION: Connector 5F  
 SIZE: 27.0L x 19.0H x 25.0W  
 COLOR: Black  
 MATERIAL: PA6  
 TERMINALS: See Page 210  
 TYPICAL APP: Blower Switch, Heater

**B PART NO: 12147098**  
 DESCRIPTION: Secondary Lock  
 COLOR: Gray  
 MATERIAL: PA6 15% GF



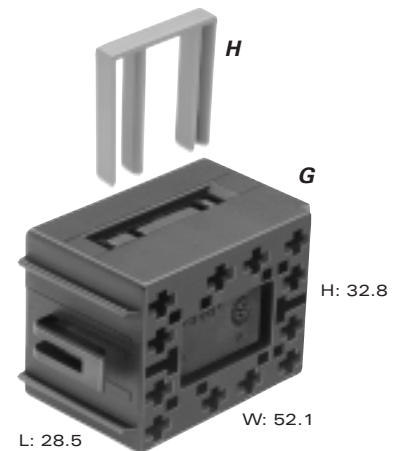
**E PART NO: 10740403**  
 DESCRIPTION: Connector 9F  
 SIZE: 28.5L x 32.8H x 52.1W  
 COLOR: Black  
 MATERIAL: PA6  
 TERMINALS: See Page 210  
 TYPICAL APP: Blower Switch

**F PART NO: 10740404**  
 DESCRIPTION: Secondary Lock  
 COLOR: Gray  
 MATERIAL: PA6 15% GF



**C PART NO: 15344072**  
 DESCRIPTION: Connector 6F  
 SIZE: 29.0L x 19.0H x 27.6W  
 COLOR: Blue  
 MATERIAL: PA6  
 TERMINALS: See Page 210  
 TYPICAL APP: Blower Switch, Heater

**D PART NO: 10717827**  
 DESCRIPTION: Secondary Lock  
 COLOR: Gray  
 MATERIAL: PA6 15% GF

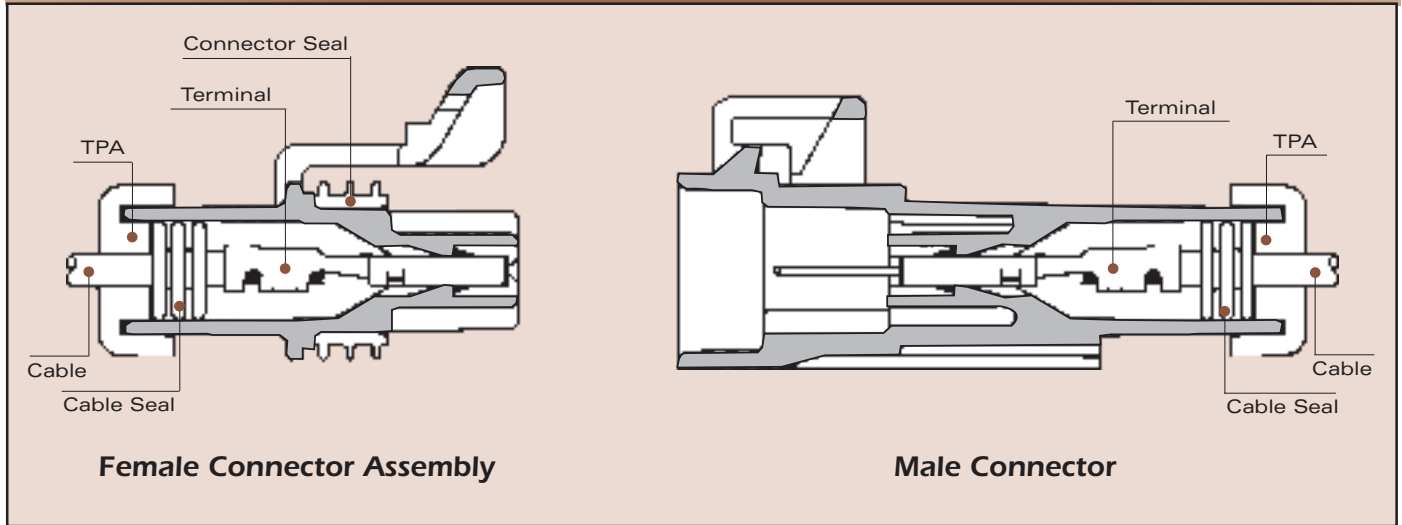


**G PART NO: 10717711**  
 DESCRIPTION: Connector 12F  
 SIZE: 28.5L x 32.8H x 52.1W  
 COLOR: Black  
 MATERIAL: PA6  
 TERMINALS: See Page 210  
 TYPICAL APP: Blower Switch

**H PART NO: 10717826**  
 DESCRIPTION: Secondary Lock  
 COLOR: Gray  
 MATERIAL: PA6 15% GF



**Cross Sectional View**



TPA  
(Terminal Position Assurance)



Female Terminal



Female Connector



**6.3 FEMALE TERMINALS SEALED**

Part #	Cable Range (mm <sup>2</sup> )	Material	Plating
12147473	2.5-1.5	Copper Nickel Silicon Alloy	Tin
12147474	6.0-4.0	Copper Nickel Silicon Alloy	Tin

**6.3 FEMALE CONNECTOR ASSEMBLY SEALED**

# Cavities	Connector	Color	Material	TPA
2	12147067	Gray	PA66	12147060

**6.3 DUCON CABLE SEALS**

Reel Part #	Loose Part #	Cable Diameter	Material	Color
10730240	10720847	2.40-1.60	Silicone	Lt. Brown
12059259	10720844	2.90-2.00	Silicone	Dk. Red
10730241	10738785	3.80-2.80	Silicone	Gray
15344032	10738786	4.50-3.60	Silicone	Blue



<http://delphi.com/products/connect>

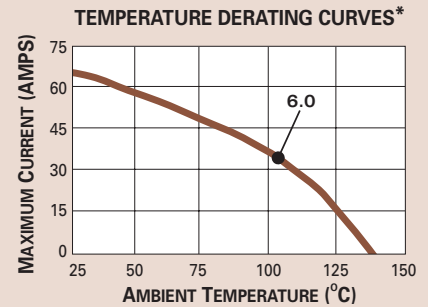
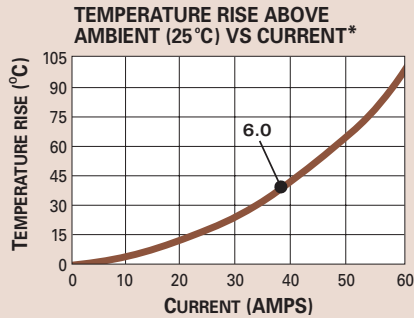




## Sealed System Application Information

**CABLE RANGE (mm<sup>2</sup>):** ..... 1.5-6.0  
**CURRENT RANGE (AMPS):** ..... 55  
**TEMP RANGE °C:** ..... -40 to 135  
**RESISTANCE:** ..... <10mΩ@20mV  
**VOLTAGE DROP:** ..... <4.0mV/amp  
**CENTERLINE SPACING (mm):** ..... 10.8  
**BLADE WIDTH (mm):** ..... 6.3

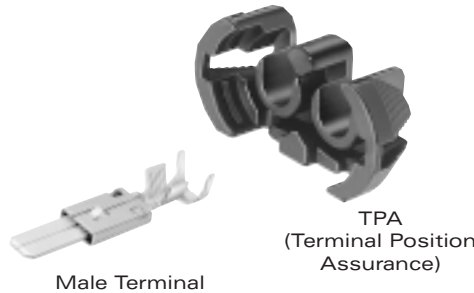
### 6.3 SERIES TERMINALS-Tin Plated



\*The test data are based on single circuits in free space and were generated using a "Lumped Resistance" model. This model does not account for all of the variables that would be present in an actual application. For actual product performance, contact your regional support representative at the number listed below.



Male Connector



Male Terminal

TPA  
(Terminal Position Assurance)



#### 6.3 MALE CONNECTOR SEALED

# Cavities	Connector	Color	Material	TPA
2	15344054	Black	PA66	12147060

#### 6.3 MALE TERMINALS SEALED

Part #	Cable Range (mm <sup>2</sup> )	Material	Plating
15344632	2.5-1.5	Copper Nickel Silicon Alloy	Tin
15344631	6.0-4.0	Copper Nickel Silicon Alloy	Tin



#### 6.3 DUCON CAVITY PLUG\*

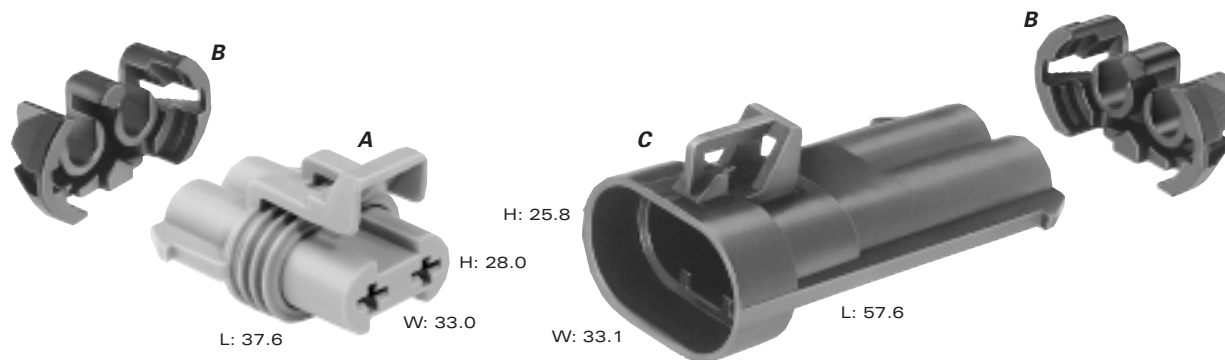
Part #	Cavity Inside Diameter	Material	Color
12059255	9.8mm	Silicone	Green

\*Cavity plugs seal unused female and male cavities.

#### SECTION NOTES:

Contact your regional support representative at the number listed below.

- Ducon Connection Systems have been validated using DIN Cable Standards.



Total Mated Length: 80.0mm

**A PART NO: 12147067**  
 DESCRIPTION: Connector 2F Assembly  
 SIZE: 37.6L x 28.0H x 33.0W  
 COLOR: Gray  
 MATERIAL: PA66  
 TERMINALS: See Page 212

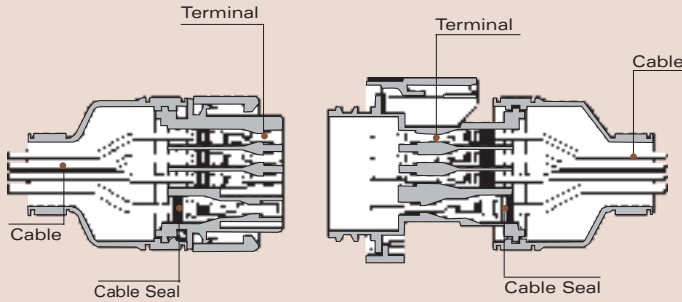
**C PART NO: 15344054**  
 DESCRIPTION: Connector 2M (Clip Slot)  
 SIZE: 57.6L x 25.8H x 33.1W  
 COLOR: Black  
 MATERIAL: PA66  
 TERMINALS: See Page 213

**B PART NO: 12147060**  
 DESCRIPTION: TPA  
 NUMBER REQ: 2  
 COLOR: Black  
 MATERIAL: PA6





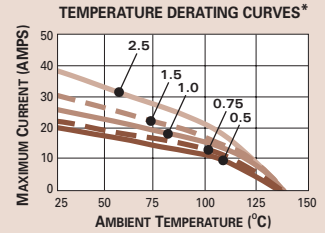
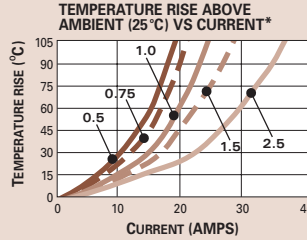
**Sealed System Application Information**



**Female Connector Assembly**

**Male Connector**

**1.5 SERIES TERMINALS-Tin Plated**



CABLE RANGE (mm<sup>2</sup>): ..... 0.5-1.0  
 CURRENT RANGE (AMPS): ..... 25  
 TEMP RANGE °C: ..... -40 to 135  
 RESISTANCE: ..... <10mΩ@20mV

VOLTAGE DROP: ..... <4.0mV/amp  
 CENTERLINE SPACING (mm): .....  
 ..... Connector Dependent  
 BLADE WIDTH (mm): ..... 1.5

\*The test data are based on single circuits in free space and were generated using a "Lumped Resistance" model. This model does not account for all of the variables that would be present in an actual application. For actual product performance, contact your regional support representative at the number listed below.



**1.5 FEMALE TERMINALS SEALED**

Part #	Cable Range (mm <sup>2</sup> )	Material	Plating
12158097	1.0-0.5	Copper Nickel Silicon Alloy	Tin
10717964	2.5-1.5	Copper Nickel Silicon Alloy	Tin



**2.8 FEMALE TERMINALS SEALED**

Part #	Cable Range (mm <sup>2</sup> )	Material	Plating
12158098	1.0-0.5	Copper Nickel Silicon Alloy	Tin
12185008	2.5-1.5	Copper Nickel Silicon Alloy	Tin



**4.8 FEMALE TERMINALS SEALED**

Part #	Cable Range (mm <sup>2</sup> )	Material	Plating
12185009	1.0-0.5	Copper Nickel Silicon Alloy	Tin
12185550	2.5-1.5	Copper Nickel Silicon Alloy	Tin
10717927	6.0-4.0	Copper Nickel Silicon Alloy	Tin



**1.5 & 2.8 DUCON CABLE SEALS**

Reel Part #	Loose Part #	Cable Diameter	Material	Color
12089442	12048087	2.00-1.20	Silicone	Blue
10720769	15363981	2.40-1.60	Silicone	White
15363992	12048086	2.90-2.00	Silicone	Dk. Red

Conduit Cover (optional)



Cable Seals

Female Terminals

Secondary Lock

Female Connector

**MIXED FEMALE CONNECTOR ASSEMBLIES SEALED**

# Cavities	Connector	Color	Material	Secondary Lock
15	15344069	Orange	PA66	12185005
20	12158095	Blue	PA66	12158096



**4.8 DUCON CABLE SEALS**

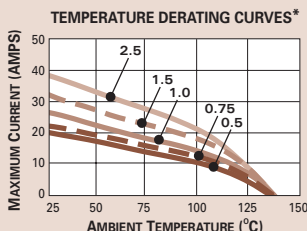
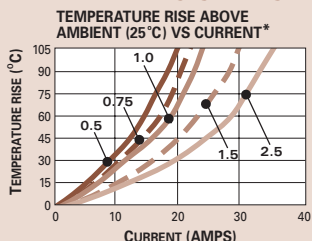
Reel Part #	Loose Part #	Cable Diameter	Material	Color
12052931	12052930	2.00-1.20	Silicone	Yellow
12048433	12048441	2.90-2.00	Silicone	White
12052452	12048442	3.80-2.80	Silicone	Red
12052453	12048443	4.50-3.80	Silicone	Violet

<http://delphi.com/products/connect>



### Sealed System Application Information

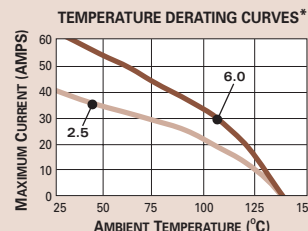
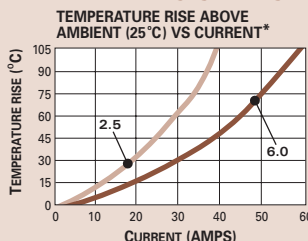
#### 2.8 SERIES TERMINALS-Tin Plated



CABLE RANGE (mm<sup>2</sup>): ..... 0.5-1.0  
 CURRENT RANGE (AMPS): ..... 33  
 TEMP RANGE °C: ..... -40 to 135  
 RESISTANCE: ..... <10mΩ@20mV

VOLTAGE DROP: ..... <4.0mV/amp  
 CENTERLINE SPACING (mm): ..... Connector Dependent  
 BLADE WIDTH (mm): ..... 2.8

#### 4.8 SERIES TERMINALS-Tin Plated

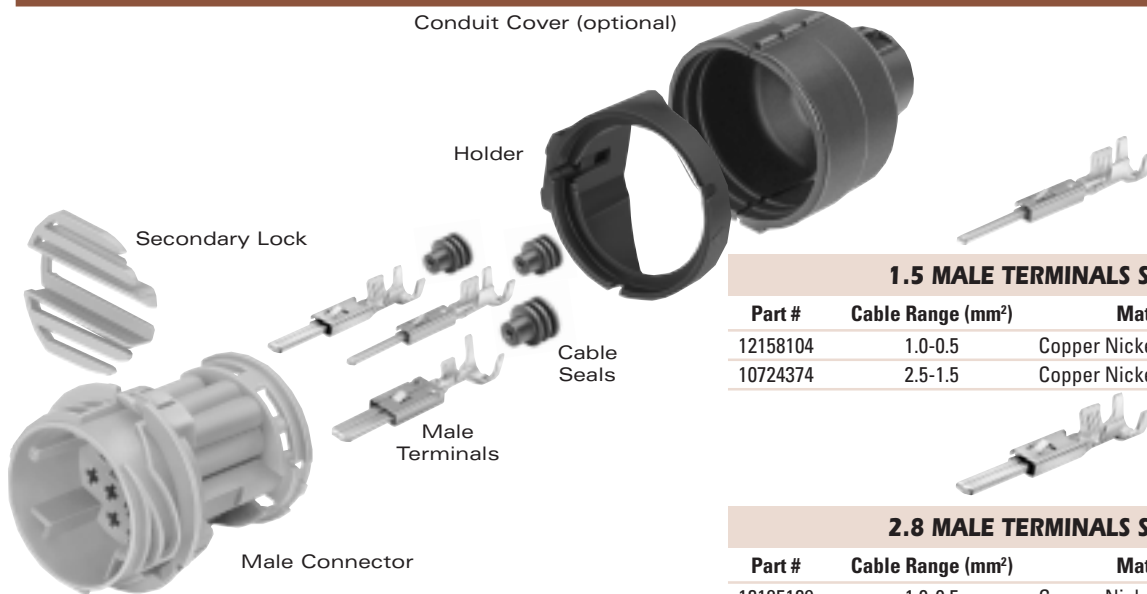


CABLE RANGE (mm<sup>2</sup>): ..... 0.5-2.5  
 CURRENT RANGE (AMPS): ..... 45  
 TEMP RANGE °C: ..... -40 to 135  
 RESISTANCE: ..... <10mΩ@20mV

VOLTAGE DROP: ..... <4.0mV/amp  
 CENTERLINE SPACING (mm): ..... Connector Dependent  
 BLADE WIDTH (mm): ..... 4.8

\*The test data are based on single circuits in free space and were generated using a "Lumped Resistance" model. This model does not account for all of the variables that would be present in an actual application. For actual product performance, contact your regional support representative at the number listed below.

Conduit Cover (optional)



#### 1.5 MALE TERMINALS SEALED

Part #	Cable Range (mm <sup>2</sup> )	Material	Plating
12158104	1.0-0.5	Copper Nickel Silicon Alloy	Tin
10724374	2.5-1.5	Copper Nickel Silicon Alloy	Tin

#### 2.8 MALE TERMINALS SEALED

Part #	Cable Range (mm <sup>2</sup> )	Material	Plating
12185129	1.0-0.5	Copper Nickel Silicon Alloy	Tin
12185237	2.5-1.5	Copper Nickel Silicon Alloy	Tin

#### 4.8 MALE TERMINALS SEALED

Part #	Cable Range (mm <sup>2</sup> )	Material	Plating
12185235	1.0-0.5	Copper Nickel Silicon Alloy	Tin
12185236	2.5-1.5	Copper Nickel Silicon Alloy	Tin
10724435	6.0-4.0	Copper Nickel Silicon Alloy	Tin

#### MIXED MALE CONNECTORS SEALED

# Cavities	Connector	Color	Material	Secondary Lock
15	10740396	Orange	PA66	12185005
20	10717689	Blue	PA66	12158096

1.5 & 2.8



4.8



#### 1.5 & 2.8 DUCON CAVITY PLUGS\*

Part #	Cavity Inside Diameter	Material	Color
15337197	5.2mm	Silicone	White
10730124	5.2mm	Silicone	Green

#### 4.8 DUCON CAVITY PLUG\*

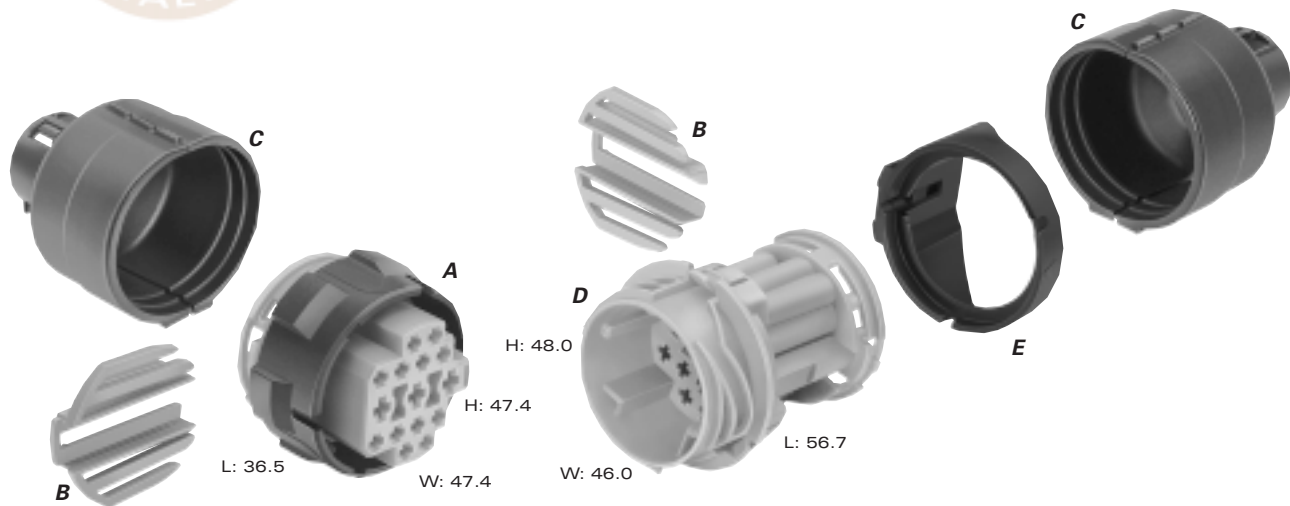
12066082	8.5mm	Silicone	Green
----------	-------	----------	-------

\*Cavity plugs seal unused female and male cavities.

#### SECTION NOTES:

- Contact your regional support representative at the number listed below.
- Ducon Connection Systems have been validated using DIN Cable Standards.

<http://delphi.com/products/connect>



Total Mated Length: 148.0mm

**A PART NO: 15344069 (Orange)**  
 DESCRIPTION: Connector 15F  
**PART NO: 12185004 (Green)**  
 DESCRIPTION: Connector 11F  
**PART NO: 15344061 (Brown)**  
 DESCRIPTION: Connector 6F  
 SIZE: 36.5L x 47.4H x 47.4W  
 MATERIAL: PA66  
 TERMINALS: See Page 216  
 SEALS/PLUGS: See Page 216

**D PART NO: 10740396 (Orange)**  
 DESCRIPTION: Connector 15M  
**PART NO: 12185278 (Green)**  
 DESCRIPTION: Connector 11M  
**PART NO: 15344060 (Brown)**  
 DESCRIPTION: Connector 6M  
 SIZE: 56.7L x 48.0H x 46.0W  
 MATERIAL: PA66  
 TERMINALS: See Page 217

**B PART NO: 12185005**  
 DESCRIPTION: Secondary Lock  
 NUMBER REQ: 2  
 COLOR: Gray  
 MATERIAL: PA6 15% GF

**E PART NO: 12185277 (Optional)**  
 DESCRIPTION: Holder  
 COLOR: Black  
 MATERIAL: PA6 15% GF  
 NOTE: Other holders available.

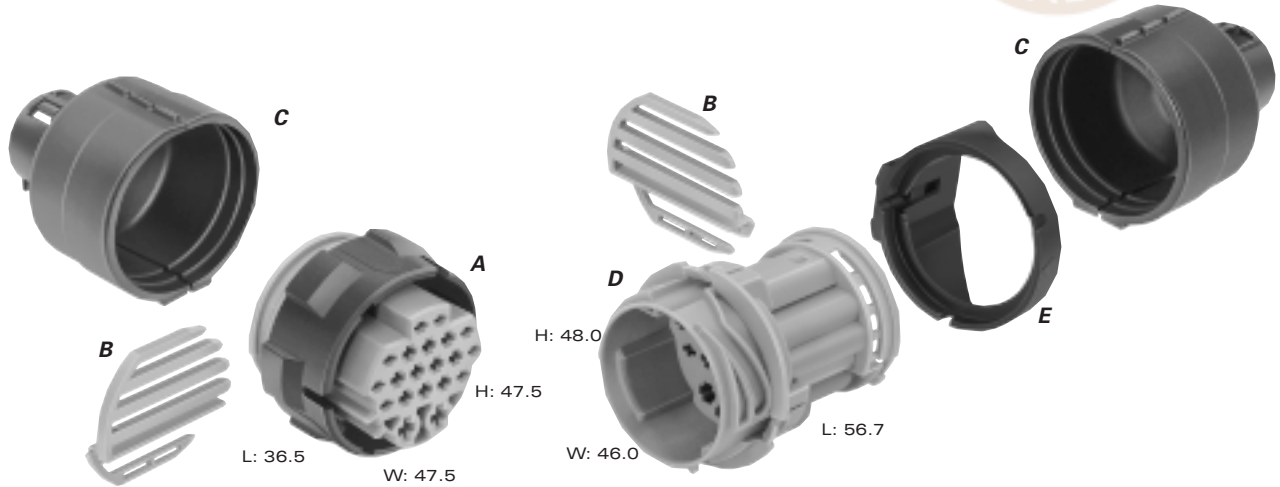
**C PART NO: 12197134 (Optional)**  
 DESCRIPTION: Cover  
 NUMBER REQ: 2  
 COLOR: Black  
 MATERIAL: PA6  
 NOTE: Optional 90° Cover Available.

**KEY:**

- ◇ 2.8 SERIES
- \* 4.8 SERIES

Mixed connectors feature a combination of different terminal cavities, as indicated by the key.





Total Mated Length: 148.0mm

**A PART NO: 12158095**  
 DESCRIPTION: Connector 20F  
 SIZE: 36.5L x 47.5H x 47.5W  
 COLOR: Blue  
 MATERIAL: PA66  
 TERMINALS: See Page 216  
 SEALS/PLUGS: See Page 216

**D PART NO: 10717689**  
 DESCRIPTION: Connector 20M  
 SIZE: 56.7L x 48.0H x 46.0W  
 COLOR: Blue  
 MATERIAL: PA66  
 TERMINALS: See Page 217  
 SEALS/PLUGS: See Page 217

**B PART NO: 12158096**  
 DESCRIPTION: Secondary Lock  
 NUMBER REQ: 2  
 COLOR: Gray  
 MATERIAL: PA6 15% GF

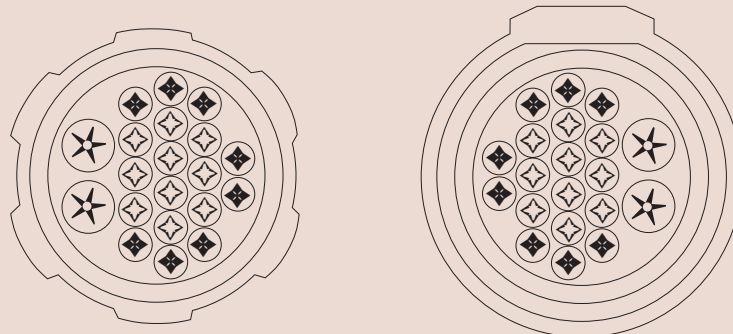
**E PART NO: 12185277 (Optional)**  
 DESCRIPTION: Holder  
 COLOR: Black  
 MATERIAL: PA6 15% GF  
 NOTE: Other holders available.

**C PART NO: 12197134 (Optional)**  
 DESCRIPTION: Cover  
 NUMBER REQ: 2  
 COLOR: Black  
 MATERIAL: PA6  
 NOTE: Optional 90° Cover Available.

**KEY:**

- ◆ 1.5 SERIES
- ◇ 2.8 SERIES
- \* 4.8 SERIES

Mixed connectors feature a combination of different terminal cavities, as indicated by the key.



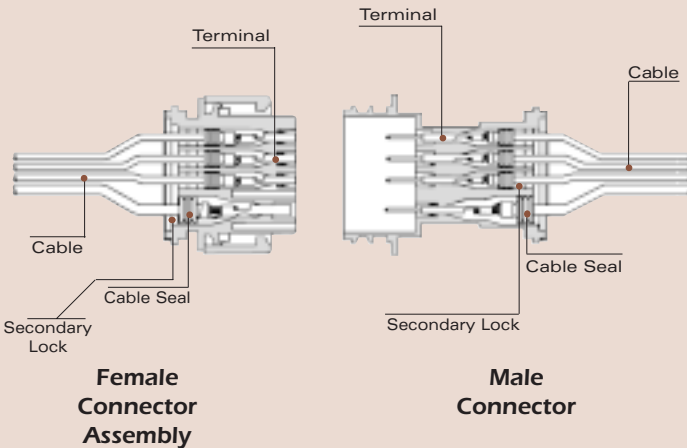


Door connectors provide environmental sealing in two ways:

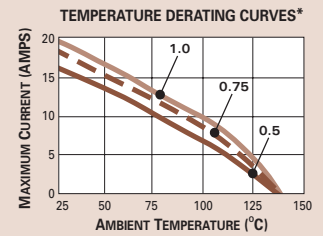
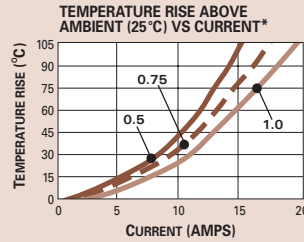
1. Using sealed terminal systems.
2. Using unsealed terminal systems and protective grommets.

Contact your regional support representative for assistance in choosing the proper design for your application.

## Sealed System Application Information



### 0.8 SERIES TERMINALS-Tin Plated



CABLE RANGE (mm<sup>2</sup>): ..... 0.5-1.0  
 CURRENT RANGE (AMPS): ..... 0-15  
 TEMP RANGE °C: ..... -40 to 135  
 RESISTANCE: ..... <10mΩ@20mV

VOLTAGE DROP: ..... <4.0mV/amp  
 CENTERLINE SPACING (mm): ..... 3.0  
 BLADE WIDTH (mm): ..... 0.8

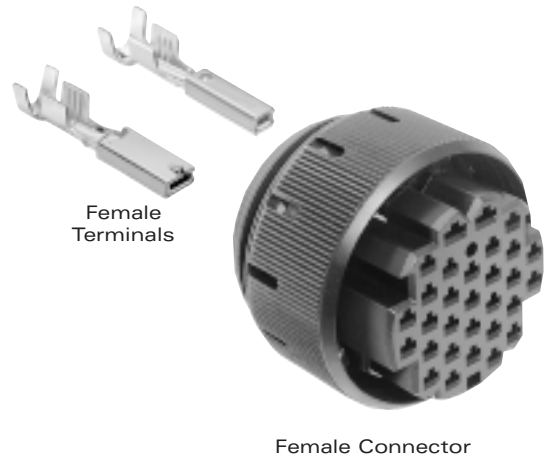
\*The test data are based on single circuits in free space and were generated using a "Lumped Resistance" model. This model does not account for all of the variables that would be present in an actual application. For actual product performance, contact your regional support representative at the number listed below.

### 0.8 FEMALE TERMINAL UNSEALED

Part #	Cable Range (mm <sup>2</sup> )	Material	Plating
12131423	1.0-0.5	Copper Nickel Silicon Alloy	Tin

### 0.8 FEMALE TERMINAL SEALED

Part #	Cable Range (mm <sup>2</sup> )	Material	Plating
10717928	1.0-0.5	Copper Nickel Silicon Alloy	Tin



### 1.5 FEMALE TERMINALS UNSEALED

Part #	Cable Range (mm <sup>2</sup> )	Material	Plating
12147302	1.0-0.5	Copper Nickel Silicon Alloy	Tin
12147303	2.5-1.5	Copper Nickel Silicon Alloy	Tin

### 2.8 FEMALE TERMINALS UNSEALED

Part #	Cable Range (mm <sup>2</sup> )	Material	Plating
12147451	1.0-0.5	Copper Nickel Silicon Alloy	Tin
12147451	2.5-1.5	Copper Nickel Silicon Alloy	Tin

### 0.8 DUCON CABLE SEAL

Part #	Cable Range (mm <sup>2</sup> )	Material	Color
15344324	2.1-1.2	Silicon	Dk. Red

### MIXED FEMALE CONNECTORS SEALED

# Cavities	Connector	Color	Material
30	12147161	Black	PA66
40	15327160	Black	PA66 15% GF

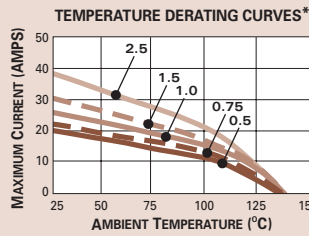
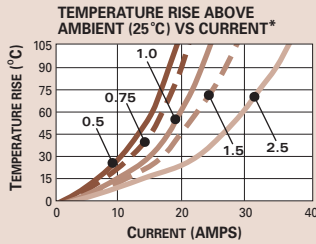
<http://delphi.com/products/connect>





### Sealed System Application Information

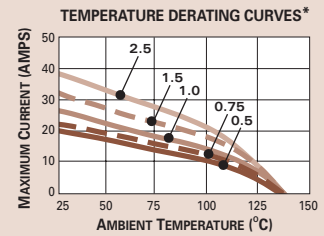
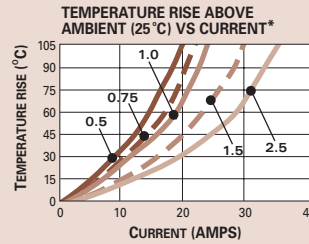
#### 1.5 SERIES TERMINALS-Tin Plated



CABLE RANGE (mm<sup>2</sup>): ..... 0.5-1.0  
 CURRENT RANGE (AMPS): ..... 25  
 TEMP RANGE °C: ..... -40 to 135  
 RESISTANCE: ..... <10mΩ@20mV

VOLTAGE DROP: ..... <4.0mV/amp  
 CENTERLINE SPACING (mm): .....  
 ..... Connector Dependent  
 BLADE WIDTH (mm): ..... 1.5

#### 2.8 SERIES TERMINALS-Tin Plated



CABLE RANGE (mm<sup>2</sup>): ..... 0.5-2.5  
 CURRENT RANGE (AMPS): ..... 33  
 TEMP RANGE °C: ..... -40 to 135  
 RESISTANCE: ..... <10mΩ@20mV

VOLTAGE DROP: ..... <4.0mV/amp  
 CENTERLINE SPACING (mm): .....  
 ..... Connector Dependent  
 BLADE WIDTH (mm): ..... 2.8

\*The test data are based on single circuits in free space and were generated using a "Lumped Resistance" model. This model does not account for all of the variables that would be present in an actual application. For actual product performance, contact your regional support representatives at the number listed below.



Male Connector

Male Terminals

#### 0.8 MALE TERMINAL UNSEALED

Part #	Cable Range (mm <sup>2</sup> )	Material	Plating
15327159	1.0-0.5	Copper Nickel Silicon Alloy	Tin

#### 0.8 MALE TERMINAL SEALED

Part #	Cable Range (mm <sup>2</sup> )	Material	Plating
10724459	1.0-0.5	Copper Nickel Silicon Alloy	Tin

#### 1.5 MALE TERMINALS UNSEALED

Part #	Cable Range (mm <sup>2</sup> )	Material	Plating
12147299	1.0-0.5	Copper Nickel Silicon Alloy	Tin
12147300	2.5-1.5	Copper Nickel Silicon Alloy	Tin

#### 2.8 MALE TERMINALS UNSEALED

Part #	Cable Range (mm <sup>2</sup> )	Material	Plating
12147400	1.0-0.5	Copper Nickel Silicon Alloy	Tin
12147301	2.5-1.5	Copper Nickel Silicon Alloy	Tin

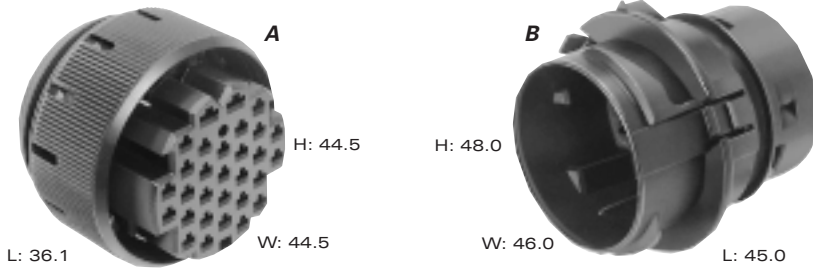
#### MIXED MALE CONNECTORS SEALED

# Cavities	Connector	Color	Material
30	12147066	Black	PA66
40	10730244	Black	PA66 15% GF

#### 0.8 DUCON CABLE SEAL

Part #	Cable Range (mm <sup>2</sup> )	Material	Color
15344324	2.1-1.2	Silicon	Dk. Red

<http://delphi.com/products/connect>



Total Mated Length: 59.6mm

**A PART NO: 12147161**  
 DESCRIPTION: 1.5/2.8 Connector 30F  
 SIZE: 36.1L x 44.5H x 44.5W  
 COLOR: Black  
 MATERIAL: PA66  
 TERMINALS: See Page 220

**B PART NO: 12147066**  
 DESCRIPTION: 1.5/2.8 Connector 30M  
 SIZE: 45.0L x 48.0H x 46.0W  
 COLOR: Black  
 MATERIAL: PA66  
 TERMINALS: See Page 221



**SECTION NOTES:**

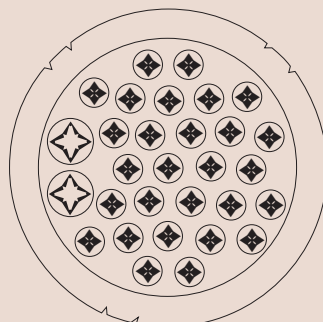
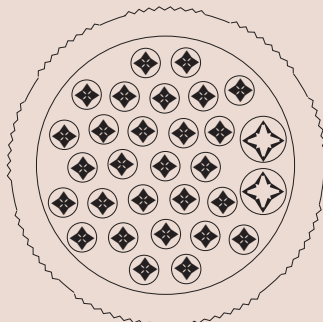
Contact your regional support representative at the number listed below.

- Door grommets available from manufacturer.

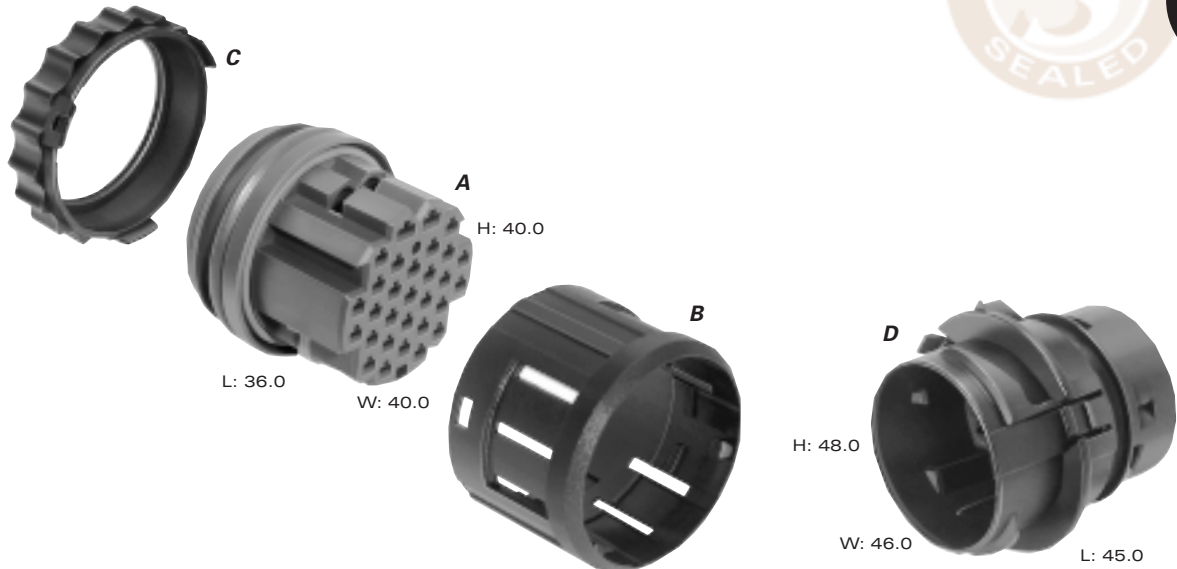
**KEY:**

- ◆ 1.5 SERIES
- ◇ 2.8 SERIES

Mixed connectors feature a combination of different terminal cavities, as indicated by the key.



<http://delphi.com/products/connect>



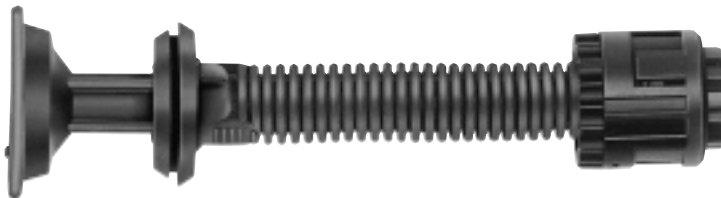
Total Mated Length: 71.6mm

**A PART NO: 12185088**  
 DESCRIPTION: 1.5/2.8 Connector 30F  
 SIZE: 36.0L x 40.0H x 40.0W  
 COLOR: Black  
 MATERIAL: PA66  
 TERMINALS: See Page 220

**D PART NO: 12147066**  
 DESCRIPTION: 1.5/2.8 Connector 30M  
 SIZE: 45.0L x 48.0H x 46.0W  
 COLOR: Black  
 MATERIAL: PA66  
 TERMINALS: See Page 221

**B PART NO: 12185079**  
 DESCRIPTION: Ring  
 COLOR: Black  
 MATERIAL: PA6 15% GF

**C PART NO: 12185082**  
 DESCRIPTION: Connector Ring  
 COLOR: Black  
 MATERIAL: PA6 15% GF



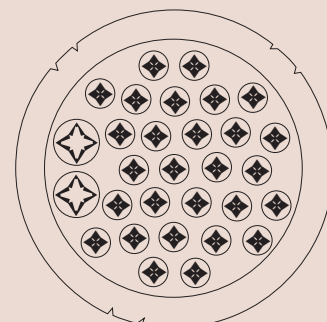
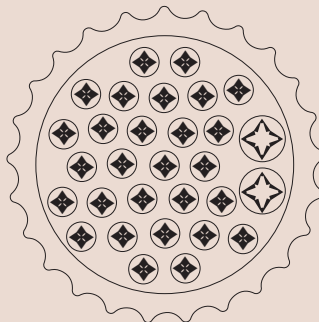
**SECTION NOTES:**

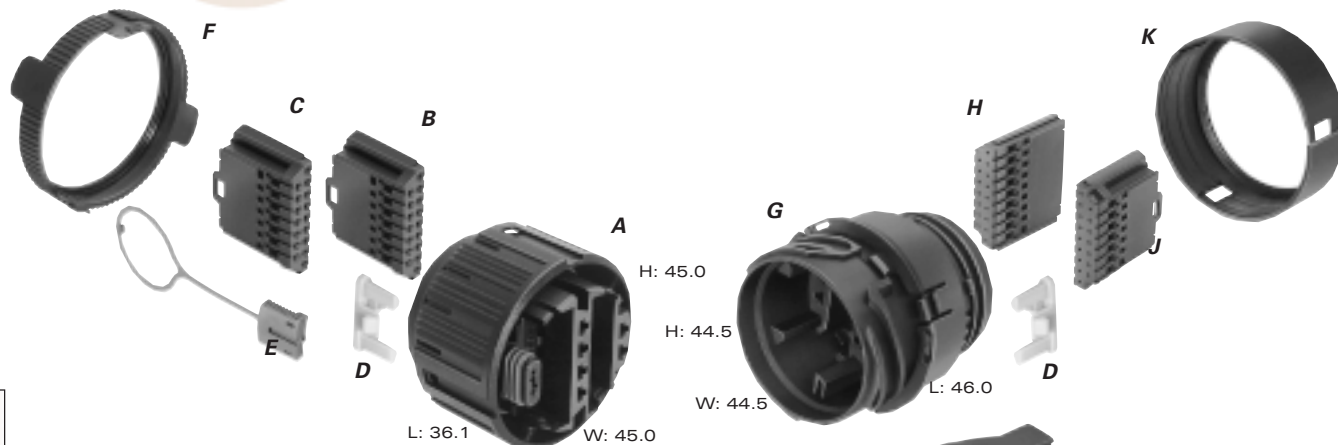
- Contact your regional support representative at the number listed below.
- Door grommets available from manufacturer.

**KEY:**

- ◆ 1.5 SERIES
- ◇ 2.8 SERIES

Mixed connectors feature a combination of different terminal cavities, as indicated by the key.





L: 36.1 W: 45.0

H: 45.0

H: 44.5

W: 44.5

L: 46.0

Total Mated Length: 65.0mm

**A PART NO: 15327160**  
 DESCRIPTION: Connector 40F (8,16,16)  
 SIZE: 36.1L x 45.0H x 45.0W  
 COLOR: Black  
 MATERIAL: PA66 15% GF  
 TERMINALS: .8F, 2.8F, See Page 220  
 SEALS: See Page 220

**B PART NO: 15327654**  
 DESCRIPTION: Connector Module1 16F  
 COLOR: Black  
 MATERIAL: PA66

**C PART NO: 15327655**  
 DESCRIPTION: Connector Module2 16F  
 COLOR: Black  
 MATERIAL: PA66

**D PART NO: 10717849**  
 DESCRIPTION: TPA  
 NUMBER REQ: 2  
 COLOR: Yellow  
 MATERIAL: PA66

**E PART NO: 10717837**  
 DESCRIPTION: CPA  
 COLOR: Red  
 MATERIAL: PA66

**F PART NO: 15327164**  
 DESCRIPTION: Connector Ring  
 COLOR: Black  
 MATERIAL: PA66 15% GF

**G PART NO: 10730244**  
 DESCRIPTION: Connector 40M (8,16,16)  
 SIZE: 46.0L x 44.5H x 44.5W  
 COLOR: Black  
 MATERIAL: PA66 15% GF  
 TERMINALS: .8M, 2.8M, See Page 221  
 SEALS: See Page 221

**H PART NO: 15327154**  
 DESCRIPTION: Connector Module1 16M  
 COLOR: Black  
 MATERIAL: PA66

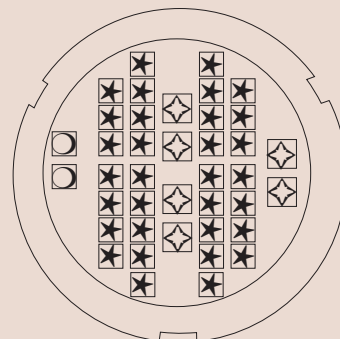
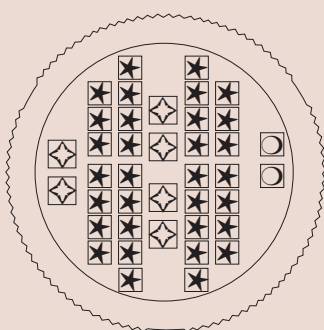
**J PART NO: 15327155**  
 DESCRIPTION: Connector Module2 16M  
 COLOR: Black  
 MATERIAL: PA66

**K PART NO: 15327153**  
 DESCRIPTION: Cover  
 COLOR: Black  
 MATERIAL: PA66 15% GF

**L PART NO: 10728148**  
 DESCRIPTION: TMS Cover  
 COLOR: Black  
 MATERIAL: PA66 15% GF

**KEY:** ○ 0.8 SERIES(Sealed)  
 ✱ 0.8 SERIES(Unsealed)  
 ◇ 2.8 SERIES

Mixed connectors feature a combination of different terminal cavities, as indicated by the key.



## X-ON Electronics

Largest Supplier of Electrical and Electronic Components

*Click to view similar products for [Automotive Connectors](#) category:*

*Click to view products by [Delphi](#) manufacturer:*

Other Similar products are found below :

[003-018-000](#) [600858](#) [60403001](#) [60993906-B](#) [60993913-B](#) [629515004020001](#) [M902-2131](#) [M902-2161](#) [M902-2344](#) [72.330.1035.1](#)  
[73.353.4028.0](#) [F118010](#) [F119300-B](#) [F132210](#) [F132210-B](#) [F166900](#) [F180100](#) [F258300](#) [F258300-B](#) [F294300-B](#) [F339100](#) [F339700](#) [F358300-](#)  
[B](#) [F374110](#) [F407400](#) [F412210](#) [F427600](#) [F444110](#) [F487000](#) [F495100-B](#) [F500900-B](#) [F509500B-B](#) [770444-1](#) [776880-1](#) [827153-1](#) [881735-1](#)  
[8N1515-32-24P](#) [9-1326727-8](#) [9-1326729-8](#) [925467-1](#) [925474-1](#) [928905-1](#) [936398-2](#) [964562-1](#) [964562-4](#) [964731-2](#) [965051-1](#) [968782-1](#)  
[GT17SA-8DS-HU](#) [GT17VS-10DP-5.2CF](#)