

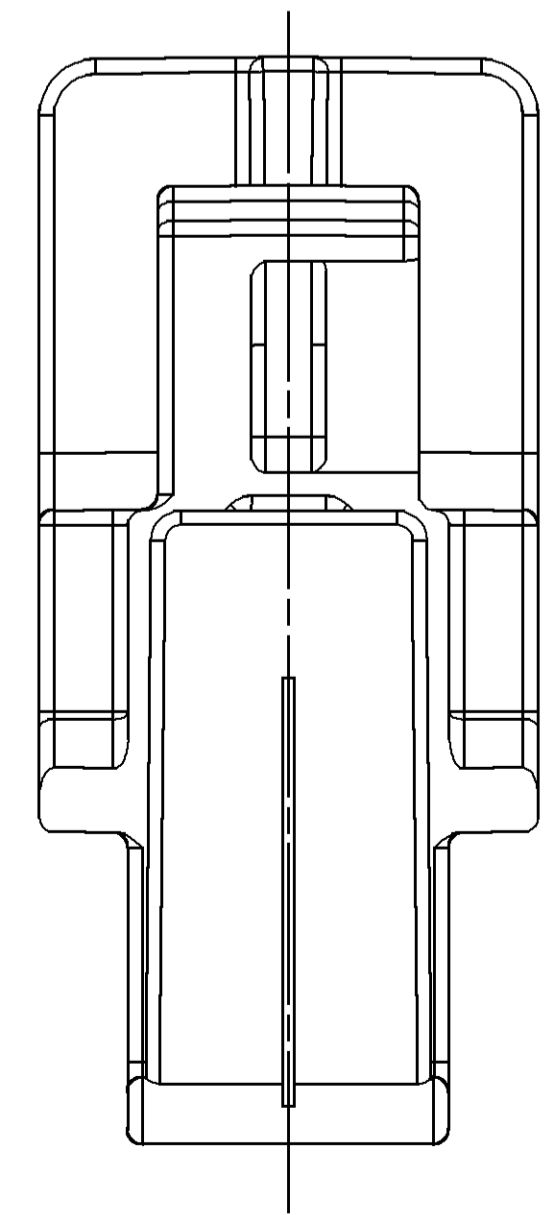
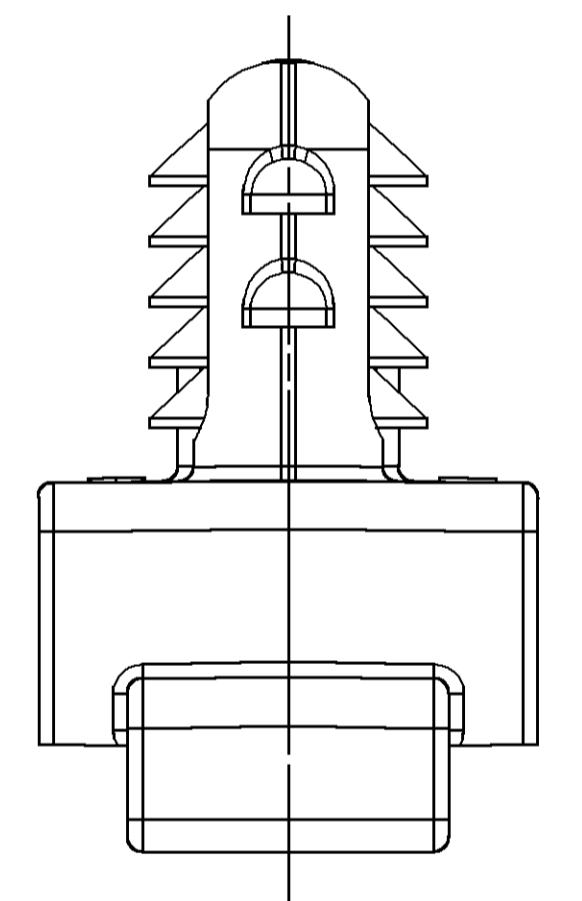
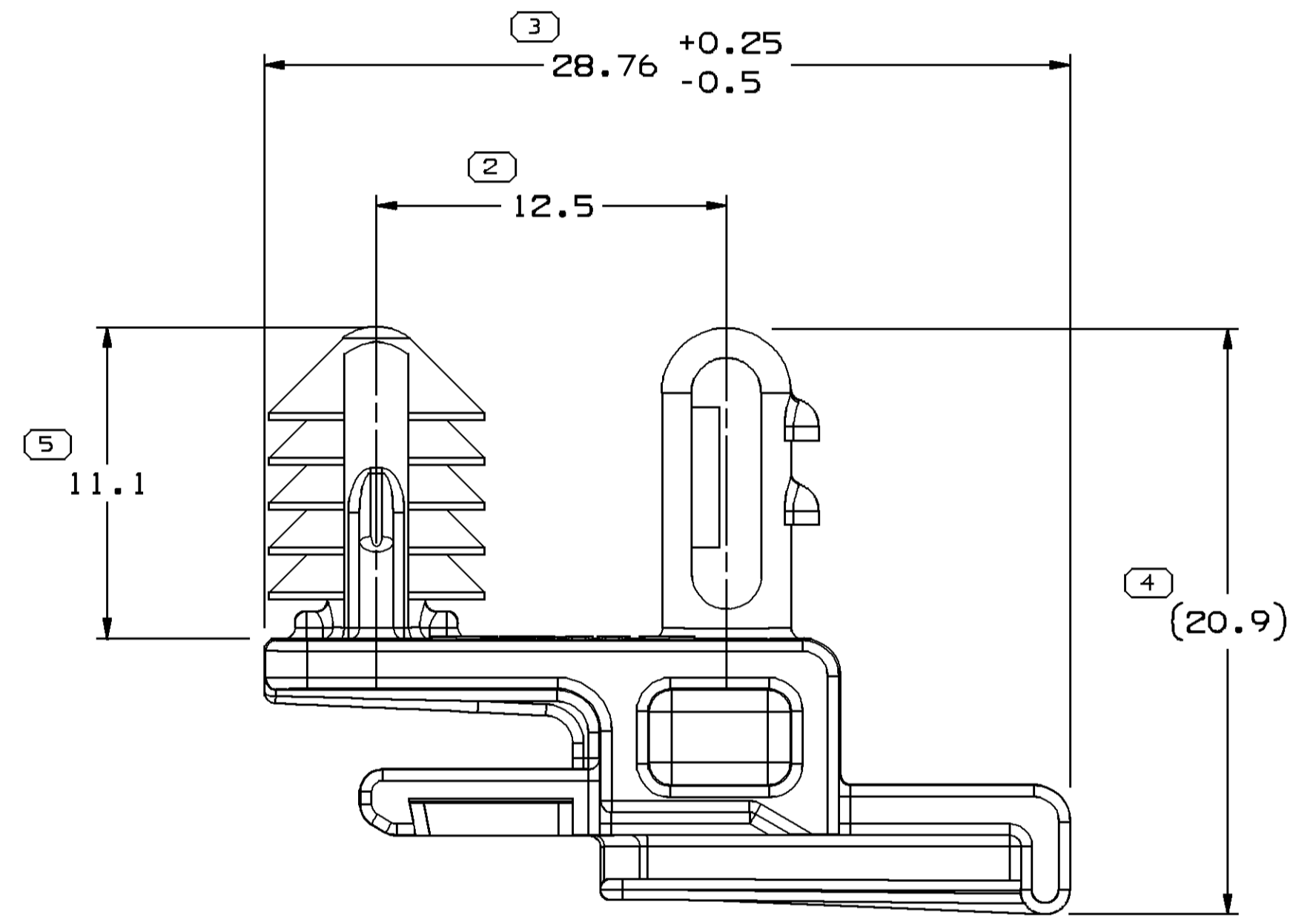
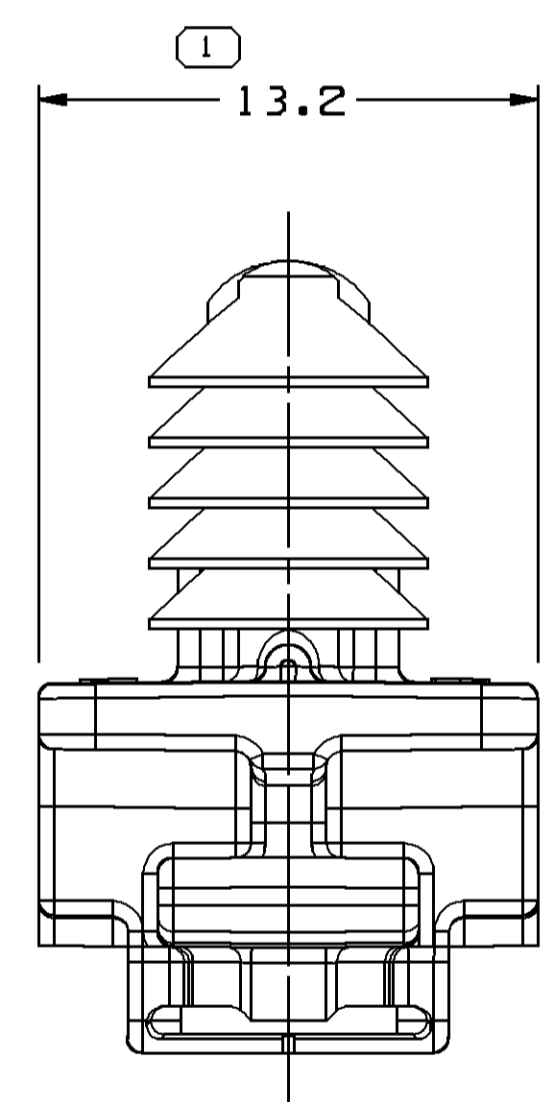
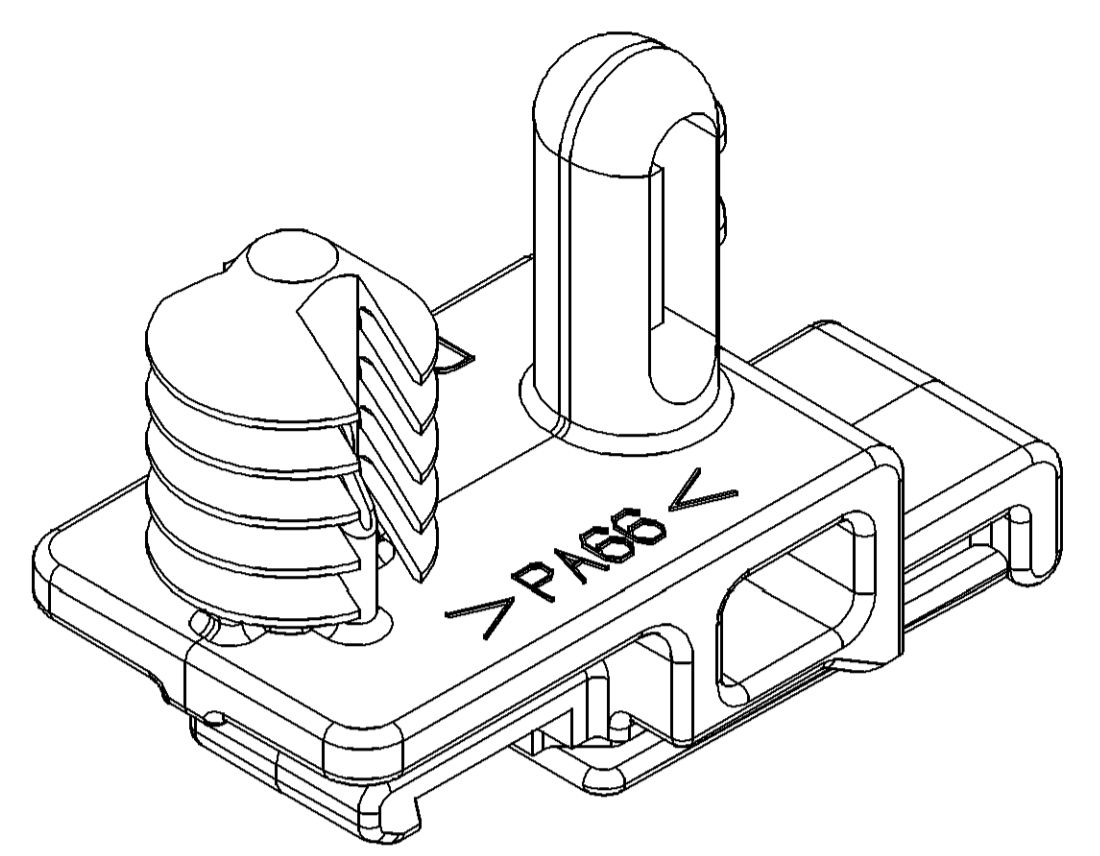
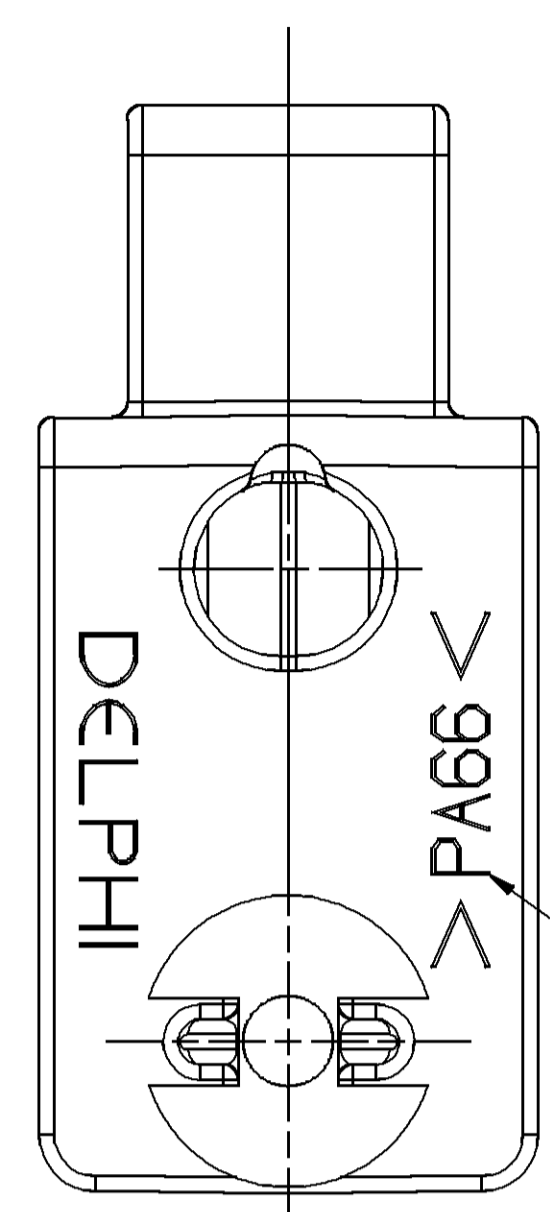
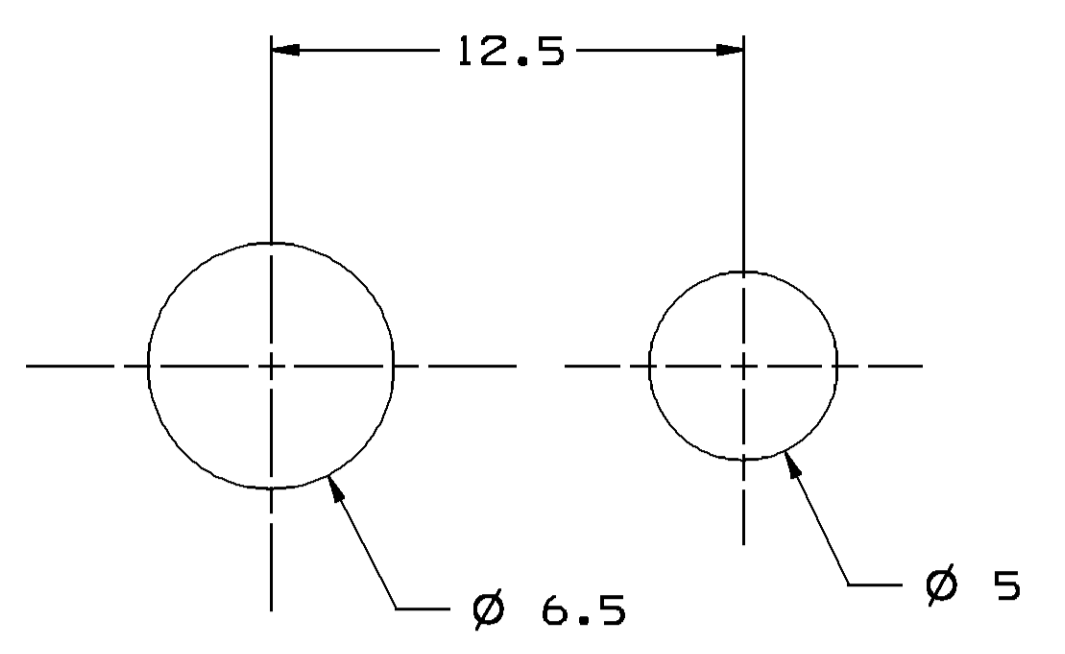
MISSING SYMBOLS

TOTAL NO OF INSPECTIONS REQUIRED	5
LAST NO. USED	5

NO MISSING SYMBOL NUMBER

DWG STATUS					REVISION HISTORY				AUTH	DR	APVD1	APVD2	
DATE	STG	REV	N/P	CHG	ZONE								
27MR01	R	01	-	-		RELEASED				208248	CJC	CJC	JM
11MY01	R	01	AA	-		REVISED TOLERANCE ON DIM #3 & #201-202				209623	CJC	CJC	JM
14JN01	R	02	-	-		REVISED MODEL PER MARKED PRINT				210939	CJC	CJC	JM
27SE01	R	02	AA	-		REVISED TOLERANCE ON DIM #3; REMOVED DIM #204-5 ON TOD & CHANGED DIM #360-1 TO REF				215133	CJC	CJC	JM
06N001	R	02	AB	-		UPDATED PDM ATTRIBUTES				215052	MRL	MRL	DLB
03FE14	R	02	AC	-		ADDED NOTE - NON APPEARANCE & MATERIAL RECYCLING CODE				425353	NAM	JVM	SJS

A DIMENSION WITHOUT AN INSPECTION REPORT SYMBOL DOES NOT REQUIRE INSPECTION. IT MAY BE CONTROLLED ON THE INDIVIDUAL COMPONENT DRAWING.



NOTES

- UNLESS OTHERWISE SPECIFIED AND/OR INDICATED: DIMENSIONS ARE TO FACE OF VIEW SHOWN AND AUTOMATICALLY ROUNDED BY COMPUTER FOR INSPECTION (SEE MATH MODEL FOR PRECISE DIMENSIONS). FOR ALL OTHER DIMENSIONS NOT SHOWN BUT REQUIRED FOR TOOL BUILD, SEE MATH MODEL FOR PRECISE TOOL PATH DATA.
- MATING COMPONENTS OR EQUIVALENT: MATES TO ANY CONNECTOR WITH A SELF LOCKING CLIP SLOT AND GT UNSEALED CATALOG DESIGNS.
- THIS PRODUCT IS NOT CATEGORIZED AS AN APPEARANCE ITEM, MINOR IMPERFECTIONS INCLUDING, BUT NOT LIMITED TO, FLOW MARKS, COLOR BLEMISHES, GATE VESTIGE, AND SOFT FLASH THAT DO NOT AFFECT THE FIT, FORM, OR FUNCTION OF THE PART ARE PERMISSIBLE PER DPNP-4.7-CS-01.
- MATERIAL RECYCLING CODE PER ISO 11469. (1.5)X(0.1) CHARACTERS AS SHOWN TO BE LOCATED ON ANY EXTERIOR SURFACE. OPTIONAL CONSTRUCTION FOR EXISTING TOOLING MAY BE "PED".

<p>INDICATES THAT PHYSICAL PARTS ARE NOT AVAILABLE FOR ORDERING.</p> <p>PART NUMBERS THAT DO NOT HAVE A LINE PRESENT INDICATE THAT PHYSICAL PARTS ARE AVAILABLE FOR ORDERING.</p> <p>CONTACT DELPHI SALES TO ASSURE AVAILABILITY OF PARTS.</p>	
<p>DWG TYPE: PART DRAWING</p>	
STYLE	
VOLUME (CPI): 1.620	DISTR CODE: D
<p>UNLESS OTHERWISE SPECIFIED THIS DOCUMENT IS IN ACCORDANCE WITH ASME Y14.5M-1994 AS AMENDED BY THE GM GLOBAL DIMENSIONING AND TOLERANCING ADDENDUM-2001. SEPARATE PATTERNS OF FEATURES MAY BE GAGED SEPARATELY REGARDLESS OF DATUM REFERENCES.</p>	
<p>ALL DIMENSIONS ARE IN MILLIMETERS</p>	
<p>REFERENCE</p>	

DELPHI
 DELPHI PACKARD ELECTRICAL/ELECTRONIC ARCHITECTURE
 Chennai, India
 COPYRIGHT 2001 DELPHI CORPORATION AND/OR ITS AFFILIATES. ALL RIGHTS RESERVED.
 THIS DRAWING IS THE PROPERTY OF DELPHI CORPORATION AND CONTAINS DELPHI CONFIDENTIAL INFORMATION. THE REPRODUCTION, DISTRIBUTION AND UTILIZATION OF THIS DOCUMENT OR ITS RELATED CAD MATH DATA, AS WELL AS COMMUNICATION OF ANY CONTENT TO OTHERS, WITHOUT EXPRESS AUTHORIZATION, IS PROHIBITED.

DR	DATE
APVD1 CRAIG COGGINS	27MR01
APVD2 CRAIG COGGINS	27MR01
APVD3 JEFF MENDENHALL	27MR01
APVD4	
APVD5	

SUBSTANCES OF CONCERN AND RECYCLED CONTENT PER DELPHI 10949001

MATERIAL: POLYESTER COMPOUND GRAY

DRAWING NAME: MOUN ATTCH CLIP CONN NAIL

DRAWING NUMBER: 15411124

SIZE: A1	SCALE: 5:1	FRAME NO: 1 OF 1	SHEET NO: 1 OF 1	STG: R	REV: 02	N/P: AC
----------	------------	------------------	------------------	--------	---------	---------

<p>PROCESS SENSITIVE DIMENSION</p> <p>DIMENSIONS ENCLOSED IN () INDICATE REFERENCE DIMENSIONS AND NO TOLERANCE LIMITS ARE ESTABLISHED</p>	
DIMENSIONAL RANGE (MM)	CHART E1
FROM > 0	> 20
TO 20	300
<p>TOLERANCE UNLESS OTHERWISE SPECIFIED</p>	
±0.15	±1.2
<p>ANGULAR TOLERANCE ±2°</p>	

THIRD ANGLE PROJECTION

DO NOT SCALE

USE MATH DATA

X-ON Electronics

Largest Supplier of Electrical and Electronic Components

Click to view similar products for [Automotive Connectors](#) category:

Click to view products by [Delphi](#) manufacturer:

Other Similar products are found below :

[003-018-000](#) [600858](#) [60403001](#) [60993906-B](#) [60993913-B](#) [629515004020001](#) [M902-2131](#) [M902-2161](#) [M902-2344](#) [72.330.1035.1](#)
[73.353.4028.0](#) [F118010](#) [F119300-B](#) [F132210](#) [F132210-B](#) [F166900](#) [F180100](#) [F258300](#) [F258300-B](#) [F294300-B](#) [F339100](#) [F339700](#) [F358300-](#)
[B](#) [F374110](#) [F407400](#) [F412210](#) [F427600](#) [F444110](#) [F487000](#) [F495100-B](#) [F500900-B](#) [F509500B-B](#) [770444-1](#) [776880-1](#) [827153-1](#) [881735-1](#)
[8N1515-32-24P](#) [9-1326727-8](#) [9-1326729-8](#) [925467-1](#) [925474-1](#) [928905-1](#) [936398-2](#) [964562-1](#) [964562-4](#) [964731-2](#) [965051-1](#) [968782-1](#)
[GT17SA-8DS-HU](#) [GT17VS-10DP-5.2CF](#)