

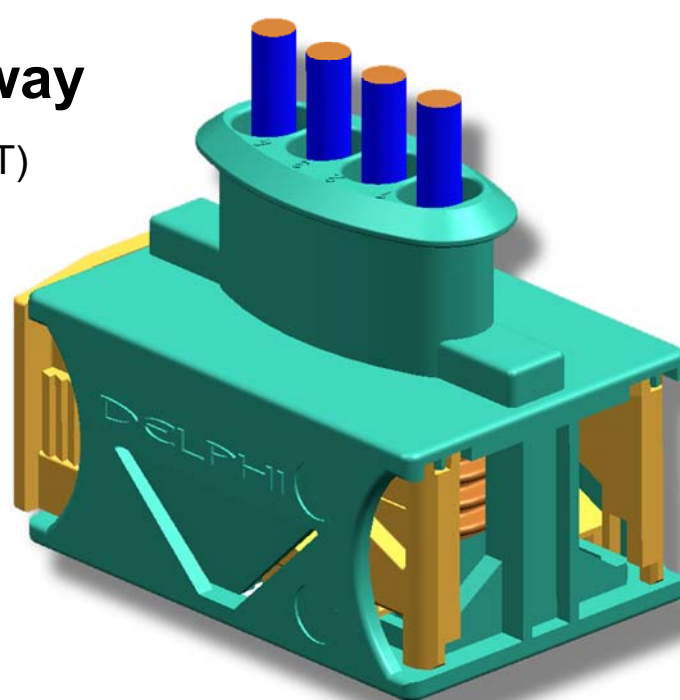
DELPHI

Assembly Manuals

Receptacle Housing 4-way

for Terminals 2,8 x 0,8 (ATS, DS, JPT)

Assembly at the car

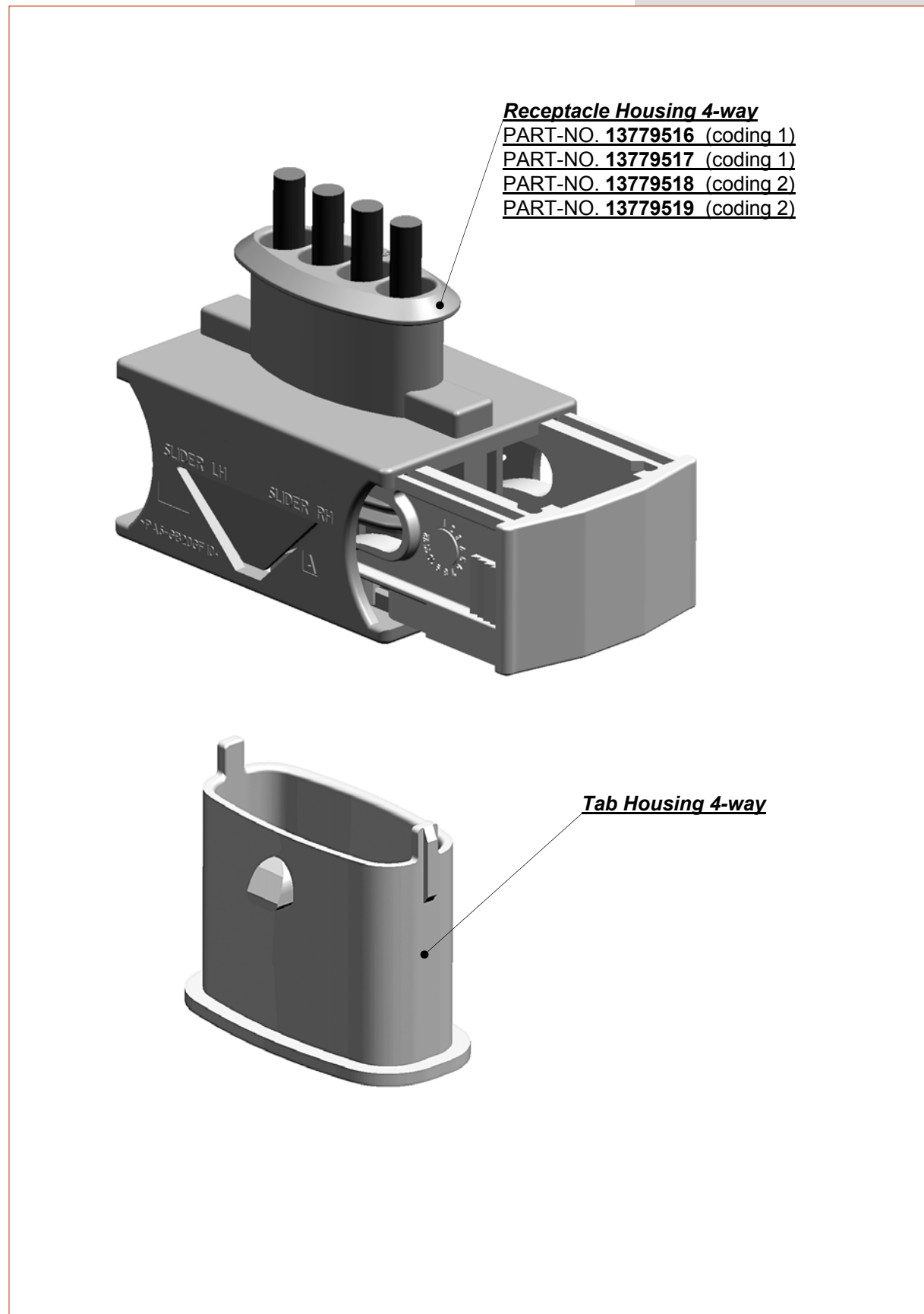


REV 01
Dec 2009

	Page
<u>Components (exploded view)</u>	3
<u>List of components</u>	4
<u>View of versions</u>	5
<u>CONNECTING SEQUENCE:</u>	6
<u>step 1: inserting Receptacle Housing 4-way</u>	6
<u>step 2: connecting Connectors</u>	7
<u>DISCONNECTING SEQUENCE:</u>	8
<u>step D-1: disconnecting Connectors</u>	9
<u>step D-2: removing Receptacle Housing 4-way</u>	10
<u>Revisions</u>	11

The information contained in these assembly instructions is subject to alteration without prior notice and does not represent any obligation on the part of DELPHI. All information is correct at the time of going to press. Reprinting or translation is not permitted without written permission from DELPHI. © Copyright 2009 DELPHI. All rights reserved.

EXPLODED VIEW



LIST OF COMPONENTS

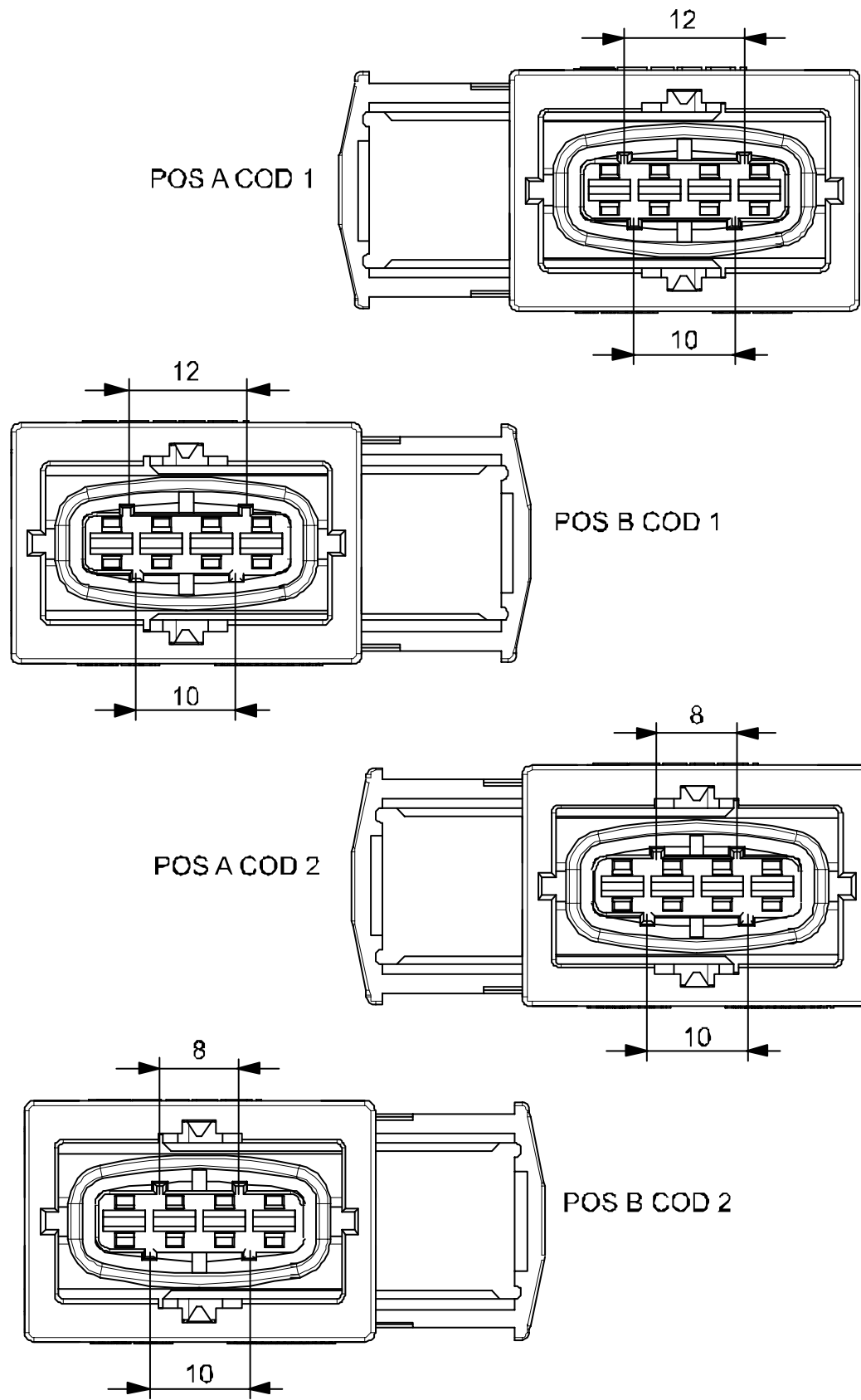
Component (assembled parts):	Delphi PART-NO.	amount
Receptacle Housing 4-way assembled (additional information on DRAW NO. 15439905)	13779516 (coding 1) POS A*	
	13779517 (coding 1) POS B*	
	13779518 (coding 2) POS A*	
	13779519 (coding 2) POS B*	1
Tab Housing 4-way	-	1

* see page 5

Attention:

All plastic components must be stored minimum 24 hours, in the temperature of min +18°C, before further assembly steps are taken. This is necessary to avoid breakage of hinge or snap elements.

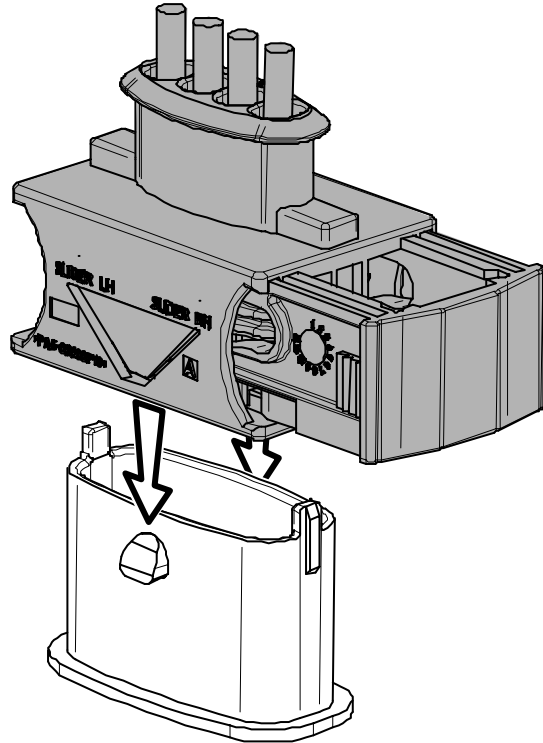
VIEW OF VERSIONS



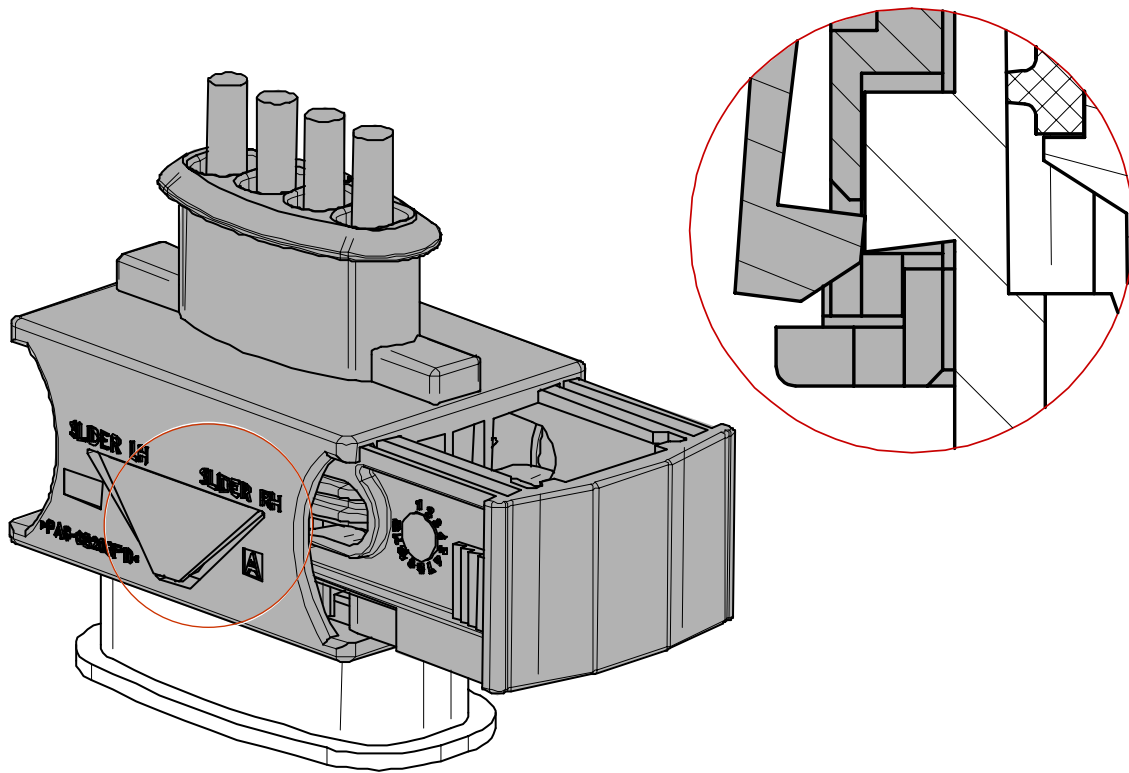
CONNECTING

CONNECTORS 4-WAY

INSERTING RECEPT. HOUSING 4-WAY



Step 1: **Insert Receptacle Housing 4-way onto Tab Housing 4-way**

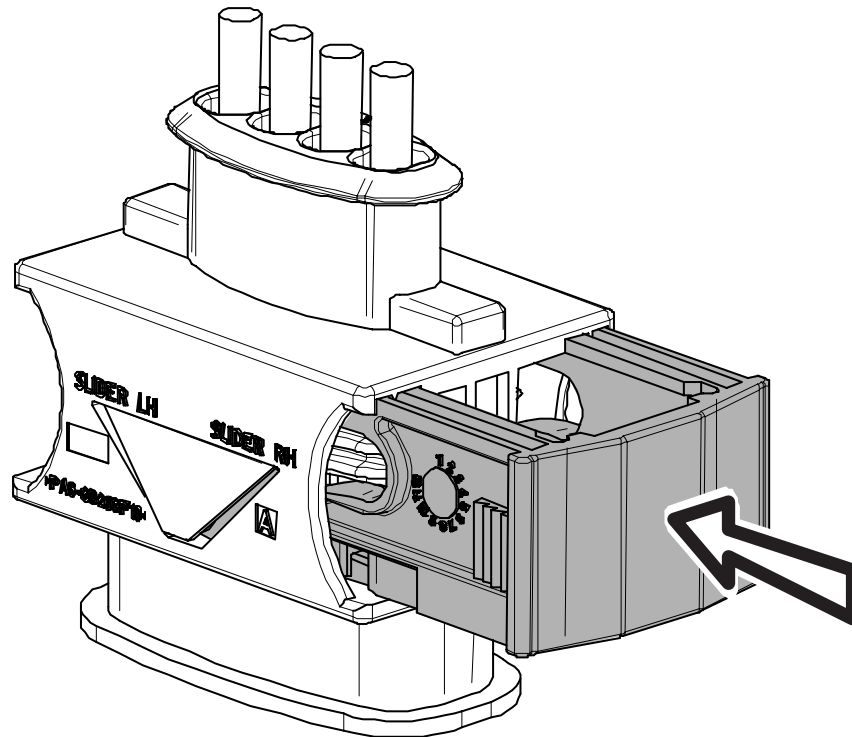


Step 1 completed.

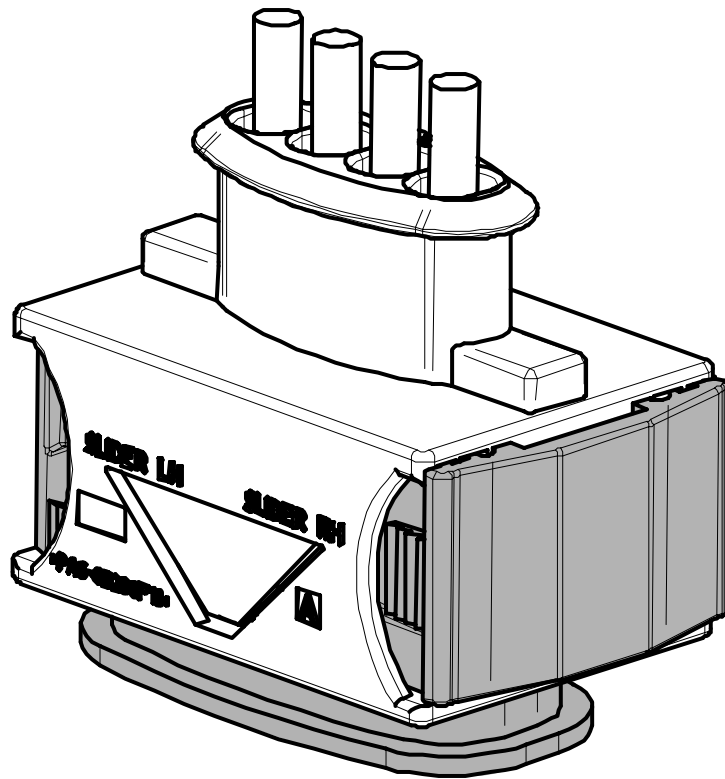
CONNECTING

CONNECTORS 4-WAY

CONNECTING CONNECTORS



Step 2: Connect *Connectors* by pushing *Slide* to the end position.



Step 2 completed.

CONNECTING

Disassembly



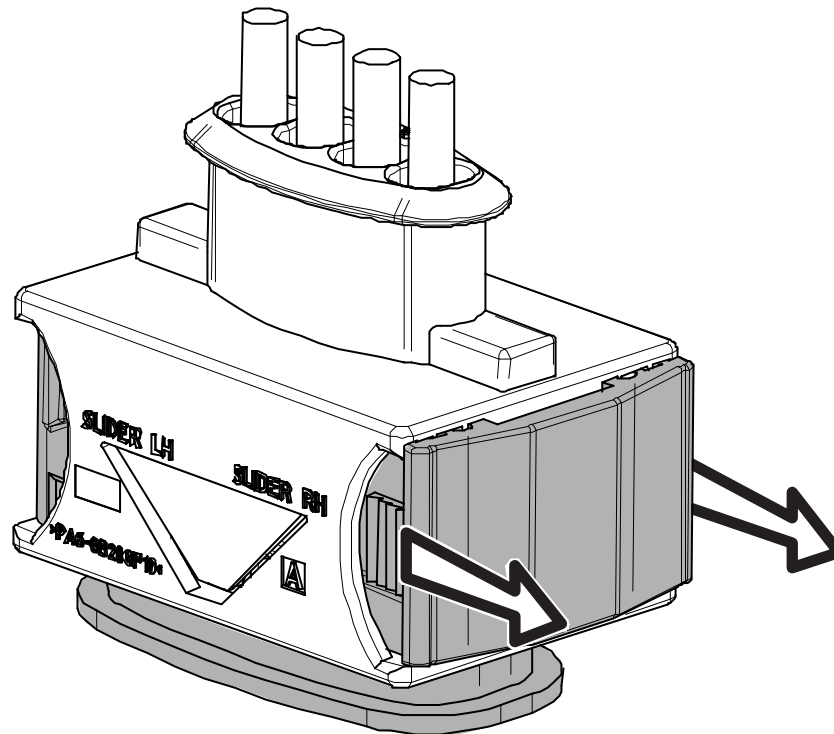
Sequence

DISCONNECTING

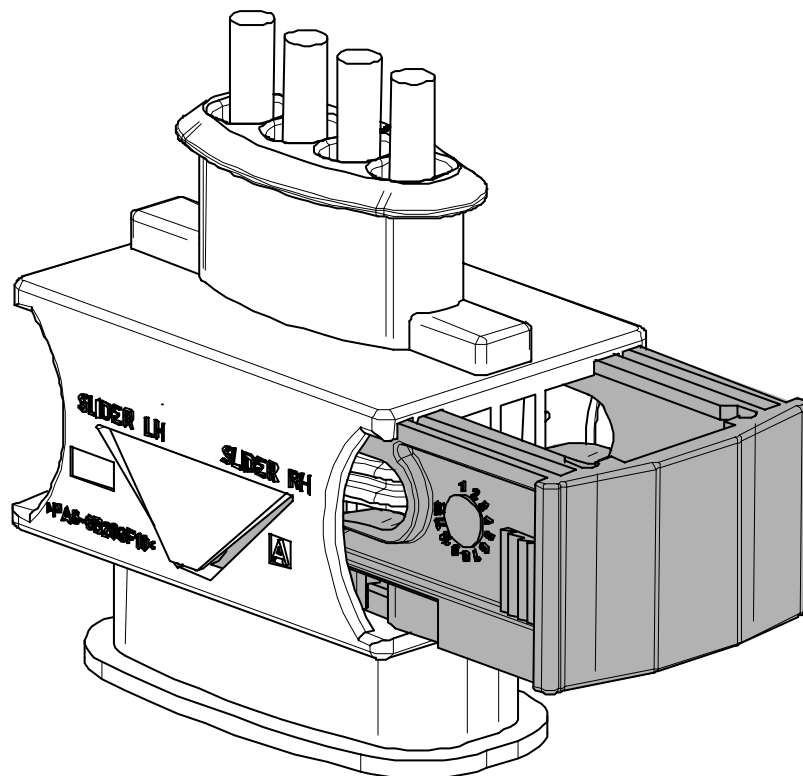
CONNECTORS 4-WAY

DISCONNECTING CONNECTORS

D



Step D-1: Disconnect Connectors by pulling Slide to pre-position.

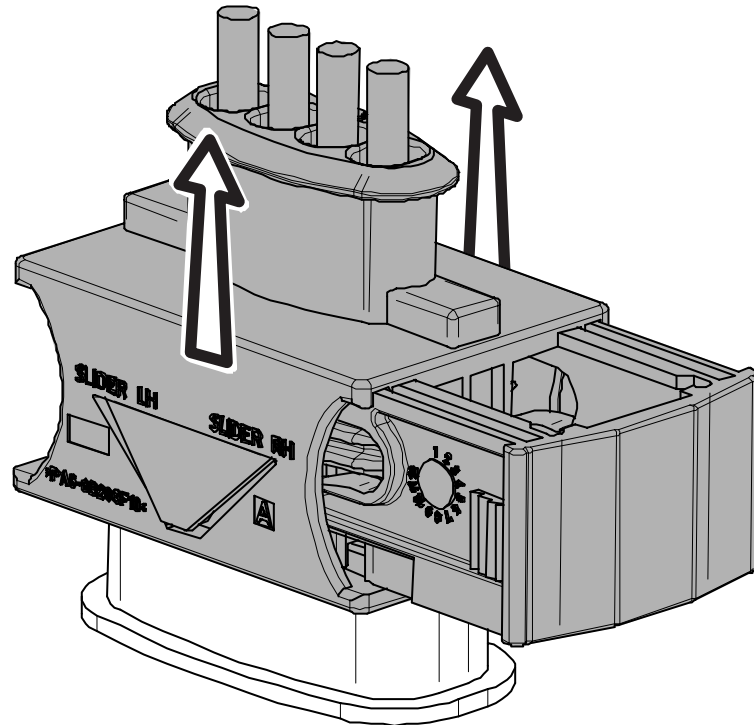


Step D-1 completed.

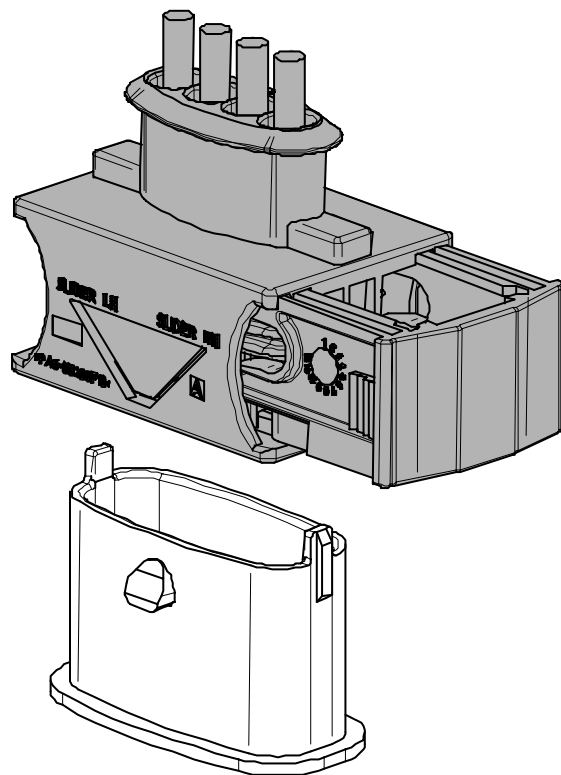
DISCONNECTING

REMOVING RECEPT. HOUSING 4-WAY

D



Step D-2: Remove *Receptacle Housing 4-way* from *Tab Housing 4-way*.



Step D-2 completed.

DISCONNECTING

THE END OF ASSEMBLY / DISASSEMBLY INSTRUCTIONS

REVISIONS

Revision	Change description	Date
REV 01	Initial edition	Dec 17, 2009

X-ON Electronics

Largest Supplier of Electrical and Electronic Components

Click to view similar products for [Automotive Connectors](#) category:

Click to view products by [Delphi](#) manufacturer:

Other Similar products are found below :

[003-018-000](#) [600858](#) [60403001](#) [60993906-B](#) [60993913-B](#) [629515004020001](#) [M902-2131](#) [M902-2161](#) [M902-2344](#) [72.330.1035.1](#)
[73.353.4028.0](#) [F118010](#) [F119300-B](#) [F132210](#) [F132210-B](#) [F166900](#) [F180100](#) [F258300](#) [F258300-B](#) [F294300-B](#) [F339100](#) [F339700](#) [F358300-](#)
[B](#) [F374110](#) [F407400](#) [F412210](#) [F427600](#) [F444110](#) [F487000](#) [F495100-B](#) [F500900-B](#) [F509500B-B](#) [770444-1](#) [776880-1](#) [827153-1](#) [881735-1](#)
[8N1515-32-24P](#) [9-1326727-8](#) [9-1326729-8](#) [925467-1](#) [925474-1](#) [928905-1](#) [936398-2](#) [964562-1](#) [964562-4](#) [964731-2](#) [965051-1](#) [968782-1](#)
[GT17SA-8DS-HU](#) [GT17VS-10DP-5.2CF](#)