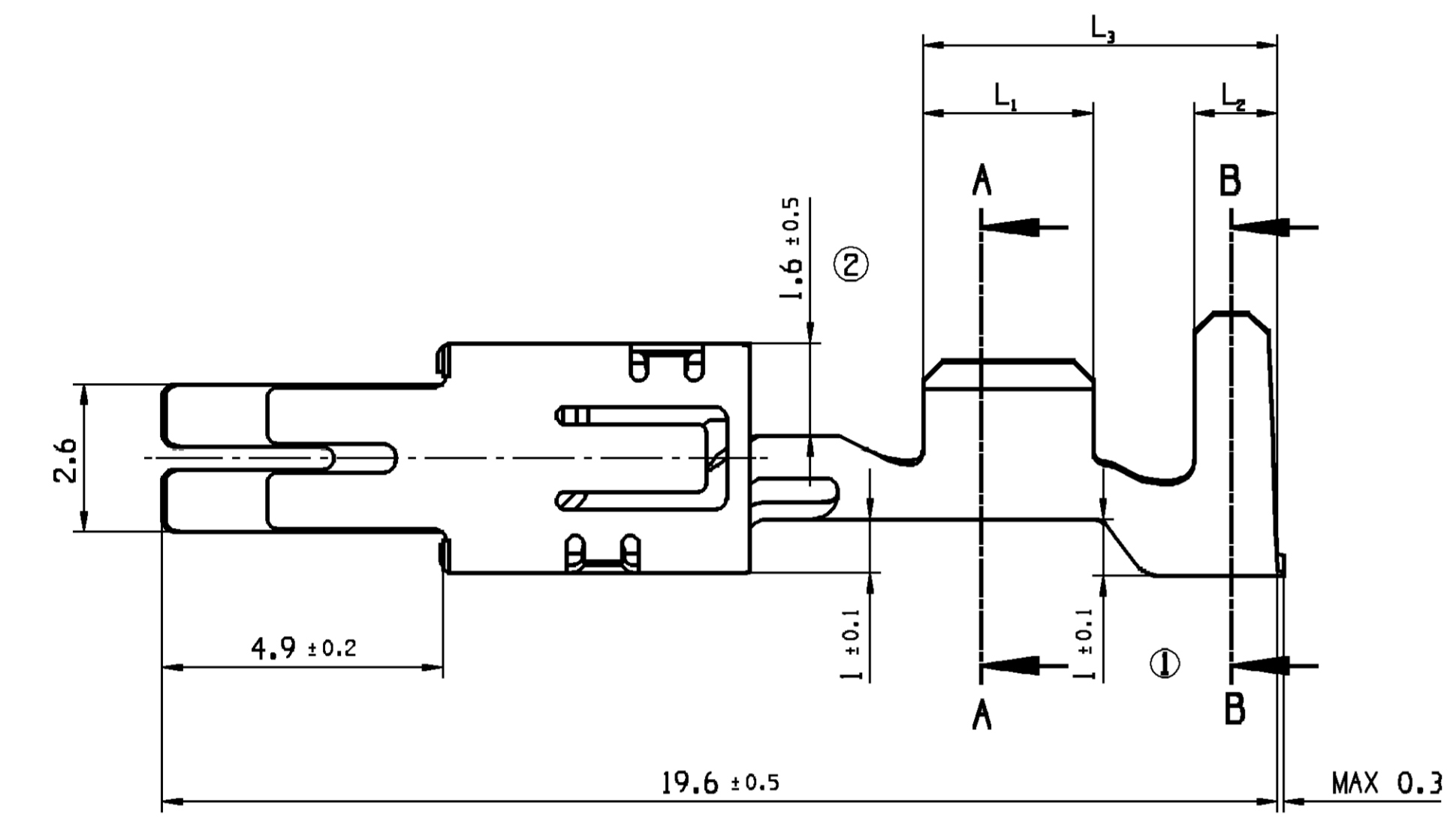
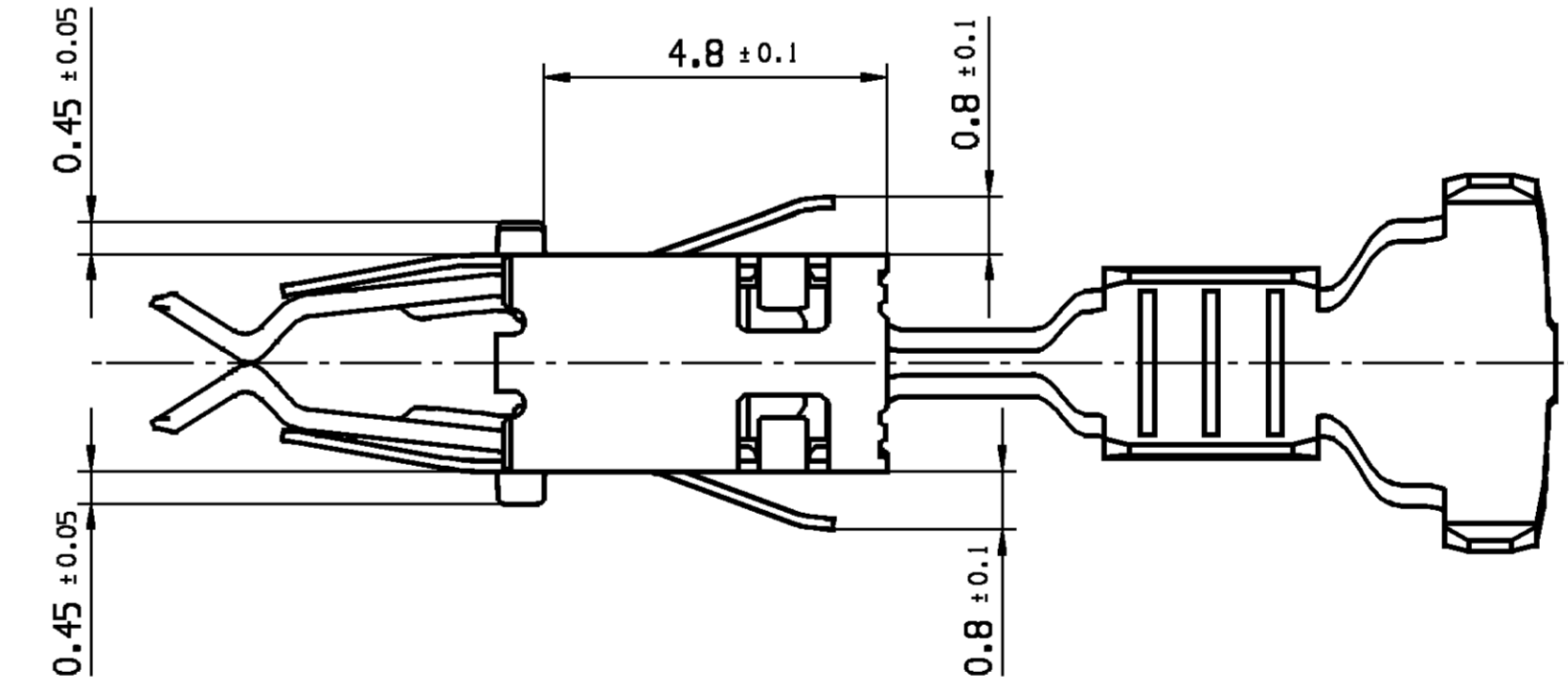
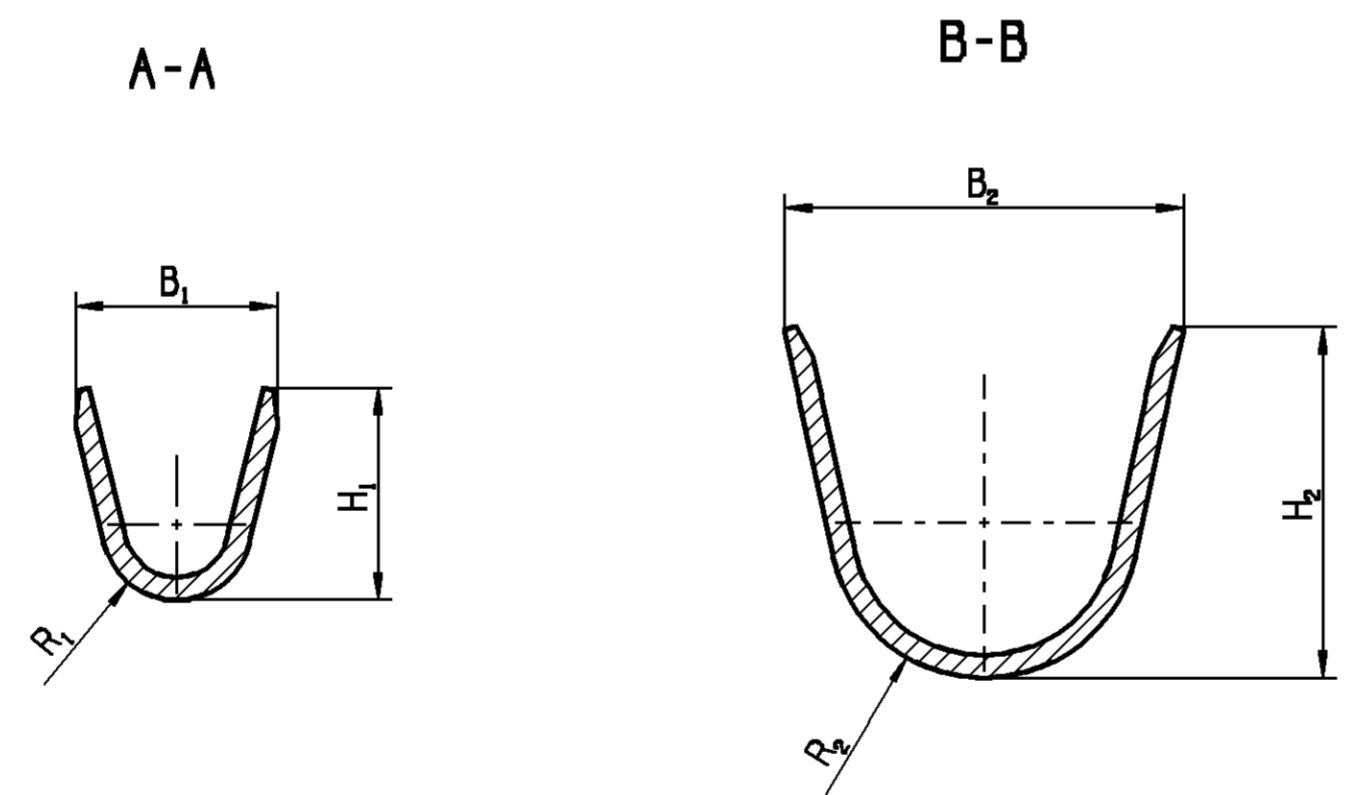
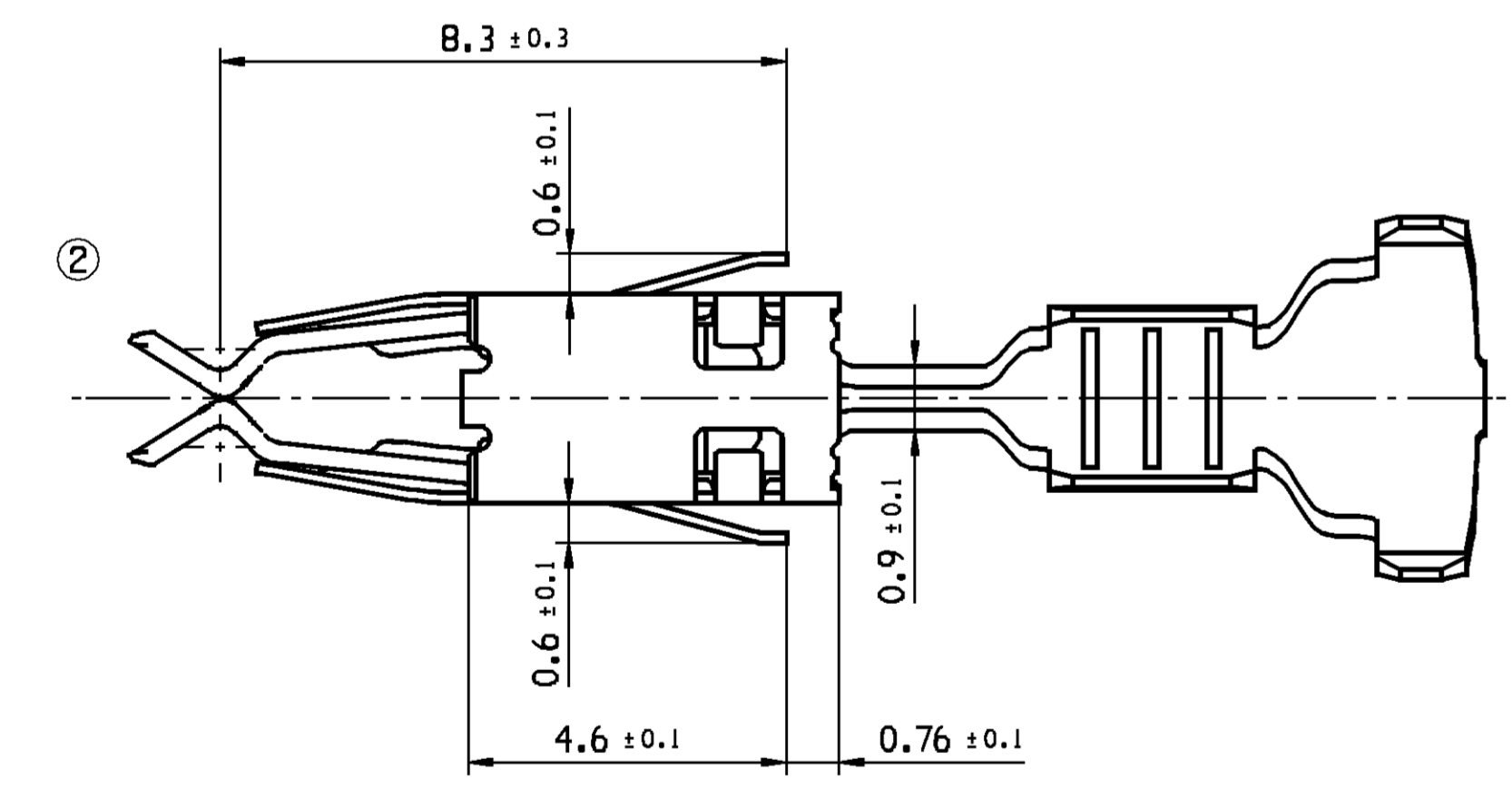
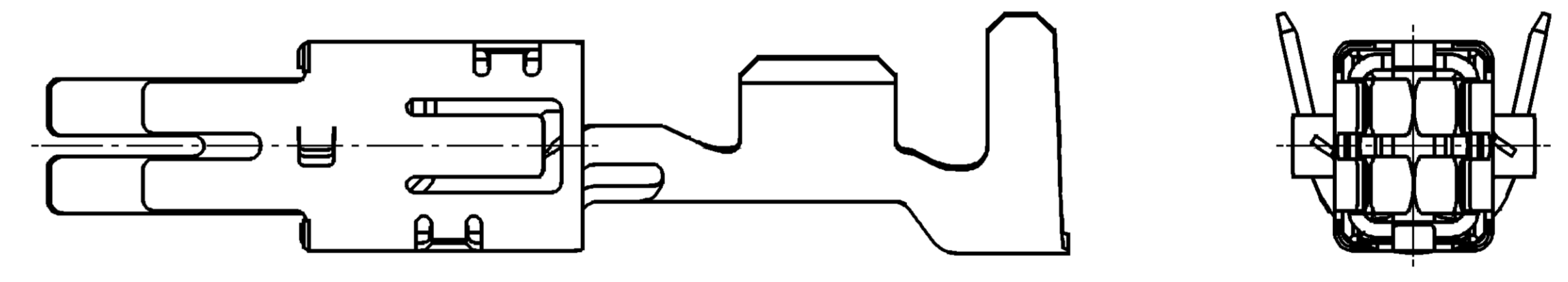


L <sub>1</sub>	L <sub>2</sub>	L <sub>3</sub>	R <sub>e</sub> ±0.1	R <sub>1</sub> ±0.1	H <sub>e</sub> ±0.2	H <sub>1</sub> ±0.2	B <sub>e</sub> ±0.2	B <sub>1</sub> ±0.2	STRENGTH SLEEVE/ÜBERFEDER FESTIGKEIT	STRENGTH BODY/BASISTEIL FESRTIGKEIT	SURFACE SLEEVE/ÜBERFEDER OBERFLÄCHE	MATERIAL SLEEVE/ÜBERFEDER WERKSTOFF	MATERIAL BODY/BASISTEIL WERKSTOFF	APPLICATION AUSFÜHRUNG	SURFACE BODY/BASISTEIL OBERFLÄCHE	CROSS SECTION QUERSCH.	ASSEMBLY PART-NO. ZUSAMMENBAU	PART REV	DATE DATUM	DATE	STG	REV	IN	PICHS	ZONE	REVISION HISTORY	AUTH	DR	AP/D 1	AP/D 2								
6.0	1.5	2.5	2.05	0.8	4.6	2.3	5.25	2.1	1450-1650 N/MM <sup>2</sup>	690-800 N/MM <sup>2</sup>	BLANK	X10CRNi18B	CuNi35i1Mg	SINGLE WIRE SEALED	f.Sn3	0.35-0.5	15344659	01	02N004	02N004	R	01	AA	E9	INITIAL RELEASE / FREIGABE		SACH	CVASA	MICHA									
6.25	1.5	3.0	2.05	1.0	4.6	2.8	5.25	2.65								0.75-1.0	15344661	01	02N004	02N004	R	01	AA	E9	DIMENSION / MASS 14-1/2.1 ADDED / HINZU													
6.25	1.5	3.25	2.05	1.3	4.6	3.8	5.25	3.8								1.5	13629765	01	17AP07	17AP07	U	01	AB		PART NO. / TEILE-NR. 13601165 - 13601170 ADDED / HINZU								SACH	CVASA				
6.25	1.5	3.25	2.05	1.3	4.6	3.8	5.25	3.8								1.5-2.5	15344660	01	02N004	02N004	U	01	AC															
6.0	1.5	2.5	2.05	0.8	4.6	2.3	5.25	2.1								0.35-0.5	15493059	01	02N004	02N004	U	01	AD		PART NO. / TEILE-NR. 13629765 - 13629766 ADDED / HINZU													
6.25	1.5	3.0	2.05	1.0	4.6	2.8	5.25	2.65								0.75-1.0	15493063	01	02N004	02N004	U	01	AD															
6.25	1.5	3.25	2.05	1.3	4.6	3.8	5.25	3.8								1.5	13629766	01	17AP07	17AP07	U	01	AD															
6.25	1.5	3.25	2.05	1.3	4.6	3.8	5.25	3.8								1.5-2.5	15493061	01	02N004	02N004	U	01	AD															
6.0	1.5	2.5	2.05	0.8	4.6	2.3	5.25	2.1								0.35-0.5	15426998	01	02N004	02N004	U	01	AD															
6.25	1.5	3.0	2.05	1.0	4.6	2.8	5.25	2.65								0.75-1.0	15426999	01	02N004	02N004	U	01	AD															
6.25	1.5	3.25	2.05	1.3	4.6	3.8	5.25	3.8								1.5	13629767	01	17AP07	17AP07	U	01	AD															
6.25	1.5	3.25	2.05	1.3	4.6	3.8	5.25	3.8								1.5-2.5	15427000	01	02N004	02N004	U	01	AD															
6.0	1.5	2.5	2.05	0.8	4.6	2.3	5.25	2.1								0.35-0.5	13679977	01	11JA08	11JA08	U	01	AD															
6.25	1.5	3.0	2.05	1.0	4.6	2.8	5.25	2.65								0.75-1.0	13679979	01	11JA08	11JA08	U	01	AD															
6.25	1.5	3.25	2.05	1.3	4.6	3.8	5.25	3.8								1.5-2.5	13679981	01	11JA08	11JA08	U	01	AD															
6.0	1.5	2.5	2.05	0.8	4.6	2.3	5.25	2.1								0.35-0.5	13601165	01	06SE06	06SE06	U	01	AD															
6.25	1.5	3.0	2.05	1.0	4.6	2.8	5.25	2.65								0.75-1.0	13601166	01	06SE06	06SE06	U	01	AD															
6.25	1.5	3.25	2.05	1.3	4.6	3.8	5.25	3.8								1.5-2.5	13601167	01	06SE06	06SE06	U	01	AD															
6.0	1.5	2.5	2.05	0.8	4.6	2.3	5.25	2.1								0.35-0.5	13601171	01	06SE06	06SE06	U	01	AD															
6.25	1.5	3.0	2.05	1.0	4.6	2.8	5.25	2.65								0.75-1.0	13601172	01	06SE06	06SE06	U	01	AD															
6.25	1.5	3.25	2.05	1.3	4.6	3.8	5.25	3.8								1.5-2.5	13601173	01	06SE06	06SE06	U	01	AD															
6.0	1.5	2.5	2.05	0.8	4.6	2.3	5.25	2.1								0.35-0.5	13601168	01	06SE06	06SE06	U	01	AD															
6.25	1.5	3.0	2.05	1.0	4.6	2.8	5.25	2.65								0.75-1.0	13601169	01	06SE06	06SE06	U	01	AD															
6.25	1.5	3.25	2.05	1.3	4.6	3.8	5.25	3.8								1.5-2.5	13601170	01	06SE06	06SE06	U	01	AD															

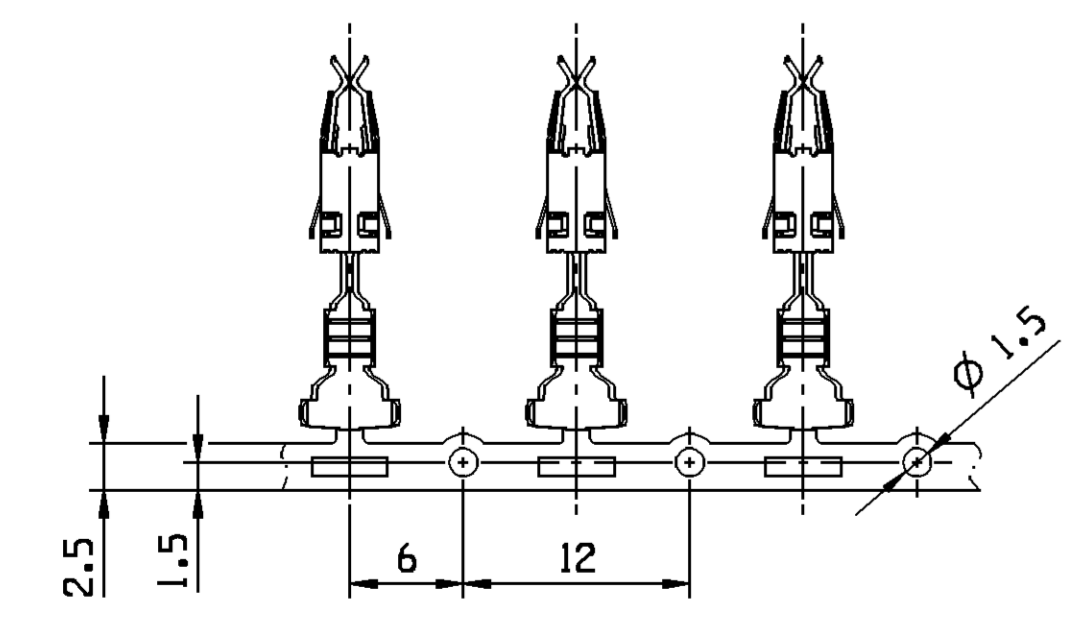
BASIC VERSION



ACTIVE SECONDARY LOCK VERSION  
MISSING DIMENSIONS SEE BASIC VERSION  
FEHLENDE MASSE SIEHE BASIC VERSION



VIEW OF THE CARRIER STRIP IS NOT IN SCALE  
ABBILDUNG DES ANBINDUNGSSTREIFENS NICHT MASSTÄBLICH



PROGRESSION IN CRIMP DIE  
TRANSPORTRICHTUNG IM CRIMPWERKZEUG

REMARKS:

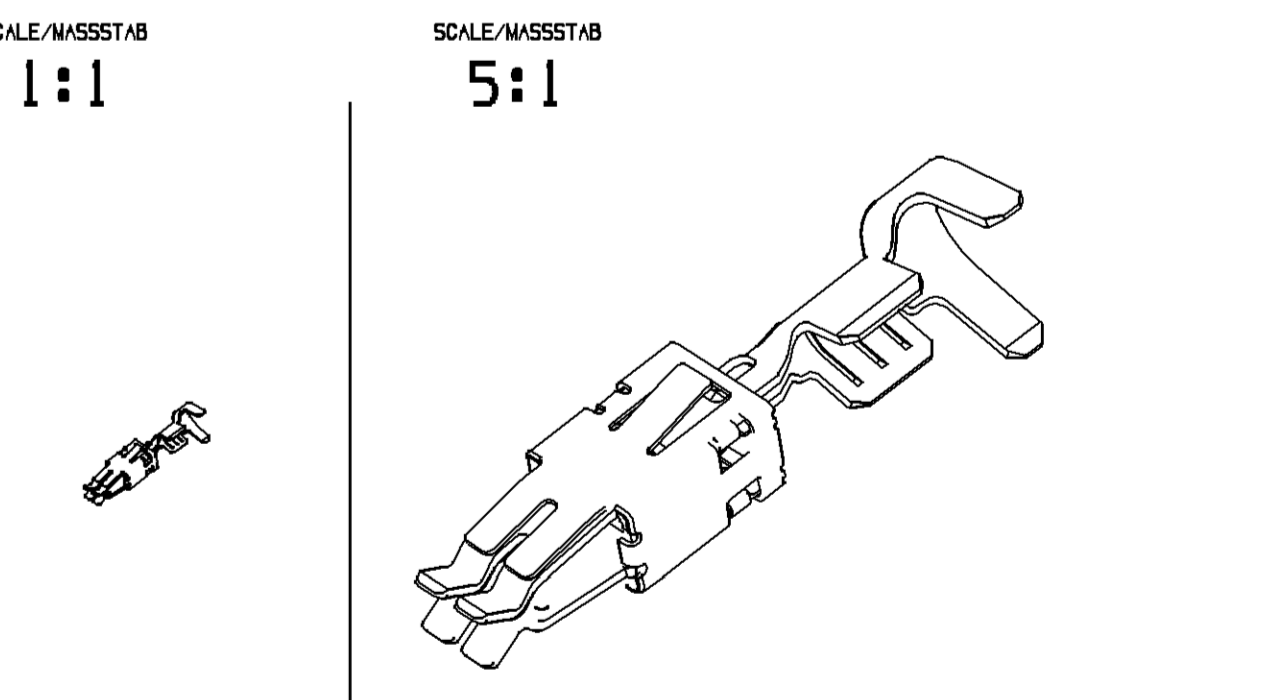
- CRIMPANUFACTURING PARAMETERS AND TOOLING ACCORDING DELPHI SPECIFICATION
- CRIMPDIMENSION TO FIT CABLE TYPE FLR
- SINGLE WIRE SEALS TO BE USED:  
0.35 - 1.00 MMF : 15327860  
1.00 - 2.00 MMF : 15327863  
2.50 MMF : 15327859

BEMERKUNGEN:

- CRIMPVERARBEITUNGSPARAMETER UND -WERKZEUGE ENTSPRECHEND DELPHI SPEZIFIKATION
- CRIMPABMESSUNGEN FUER LEITUNG TYP FLR
- ZU VERWENDENDE EINZELLEITERDICHTUNGEN  
0.35 - 1.00 MMF : 15327860  
1.00 - 2.00 MMF : 15327863  
2.50 MMF : 15327859

KEY PRODUCT CHARACTERISTICS				
NO & TYPE	DESCRIPTION	RATIONALE	PTS	ZONE
1	SAFETY/COMPLIANCE	FIT/FUNCTION	0	
2	S/C CHECKPOINTS	F/F CHECKPOINTS	0	
TOTAL ON DRAWING 0				
LAST NO. USED 0				

DO NOT SCALE	USE MATH DATA	SHARP CORNER TOLERANCE	R 0.2 MAX	R 0.1 MAX
3D TOLERANCE	FROM TO	0 12	> 12	CHART D
TOLERANCE UNLESS OTHERWISE SPECIFIED	±0.1	±0.2		
ANGULAR TOLERANCE	±2°			



SCALE/MASSTAB 1:1

SCALE/MASSTAB 5:1

DELPHI

DELPHI DEUTSCHLAND GMBH  
D-42119 KUPFERHALD

THIS DRAWING IS THE PROPERTY OF DELPHI CORPORATION. NO RIGHTS ARE GRANTED TO USE THIS DRAWING FOR ANY PURPOSE OTHER THAN THE FURNISHING OF SERVICES AND SUPPLIES TO DELPHI CORPORATION.

DIESE ZEICHNUNG IST EIGENTUM VON DELPHI CORPORATION. ES WIRD NICHT BEWILLIGT, DIESE ZEICHNUNG FÜR ANDERE ZWECKE ALS FÜR DIE BEREITSTELLUNG VON DIENSTLEISTUNGEN UND WAREN AN DELPHI CORPORATION ZU NUTZEN.

DATE 02N004  
DR M. SACH  
AP/D1 E. CVASA  
AP/D2 F. MICHALSKI  
AP/D3  
AP/D4  
AP/D5

GENERAL TOLERANCES ACCORDING TO: SEE CHERT SIEHE TABELLE

80&T ACCORDING TO: 150 1101

REFERENCE PART DRAWING

FIRST ANGLE PROJECTION

DO NOT SCALE USE MATH DATA

ACTIVE TERMINAL SYSTEM 280 FEMALE SEALED

STECKHUELSE/ EINZELADERDICHTET

DRAWING NUMBER 15344653

SIZE AD SCALE 10:1 FRAME NO 1 OF 1 SHEET NO 1 OF 1

## X-ON Electronics

Largest Supplier of Electrical and Electronic Components

*Click to view similar products for [Automotive Connectors](#) category:*

*Click to view products by [Delphi](#) manufacturer:*

Other Similar products are found below :

[003-018-000](#) [600858](#) [60403001](#) [60993906-B](#) [60993913-B](#) [629515004020001](#) [M902-2131](#) [M902-2161](#) [M902-2344](#) [72.330.1035.1](#)  
[73.353.4028.0](#) [F118010](#) [F119300-B](#) [F132210](#) [F132210-B](#) [F166900](#) [F180100](#) [F258300](#) [F258300-B](#) [F294300-B](#) [F339100](#) [F339700](#) [F358300-](#)  
[B](#) [F374110](#) [F407400](#) [F412210](#) [F427600](#) [F444110](#) [F487000](#) [F495100-B](#) [F500900-B](#) [F509500B-B](#) [770444-1](#) [776880-1](#) [827153-1](#) [881735-1](#)  
[8N1515-32-24P](#) [9-1326727-8](#) [9-1326729-8](#) [925467-1](#) [925474-1](#) [928905-1](#) [936398-2](#) [964562-1](#) [964562-4](#) [964731-2](#) [965051-1](#) [968782-1](#)  
[GT17SA-8DS-HU](#) [GT17VS-10DP-5.2CF](#)