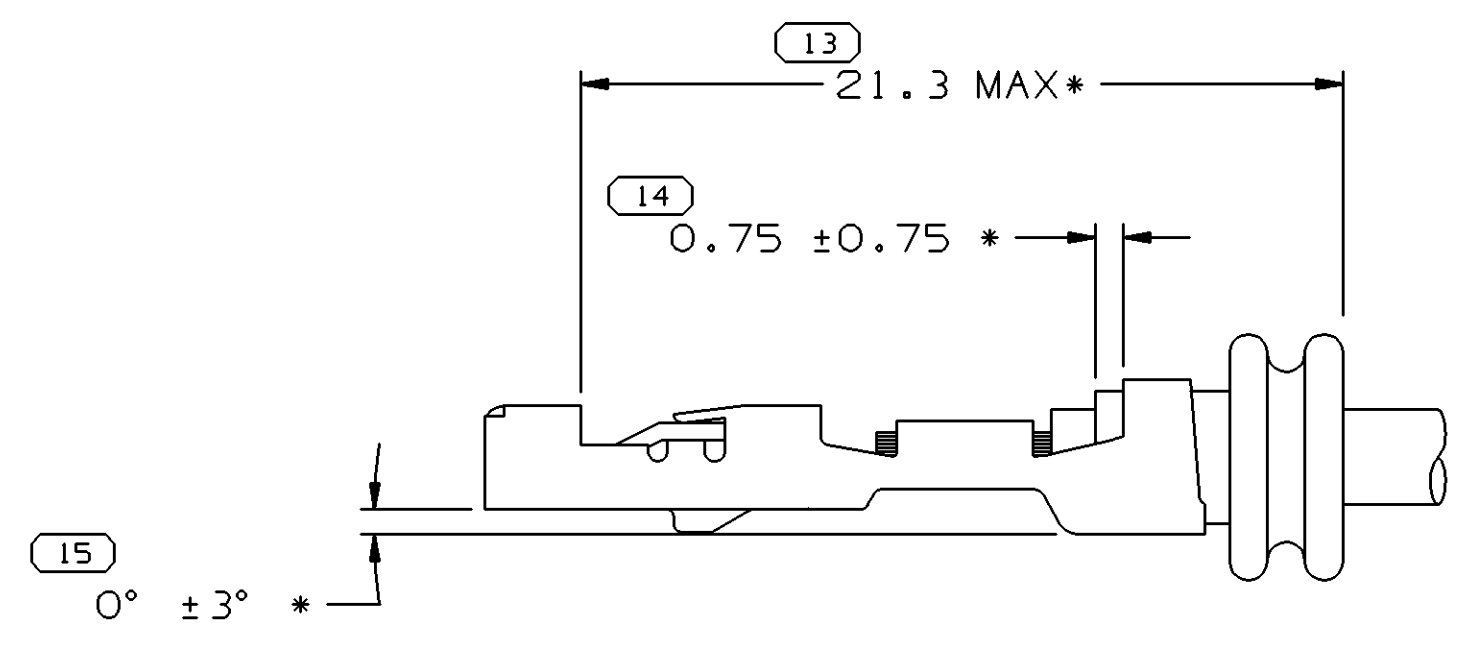
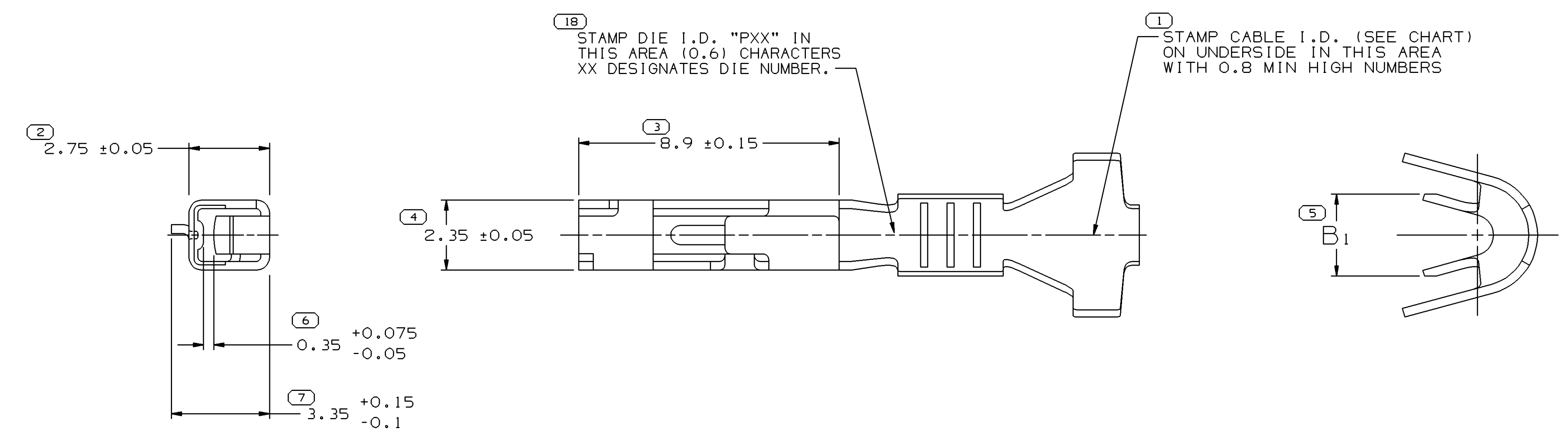
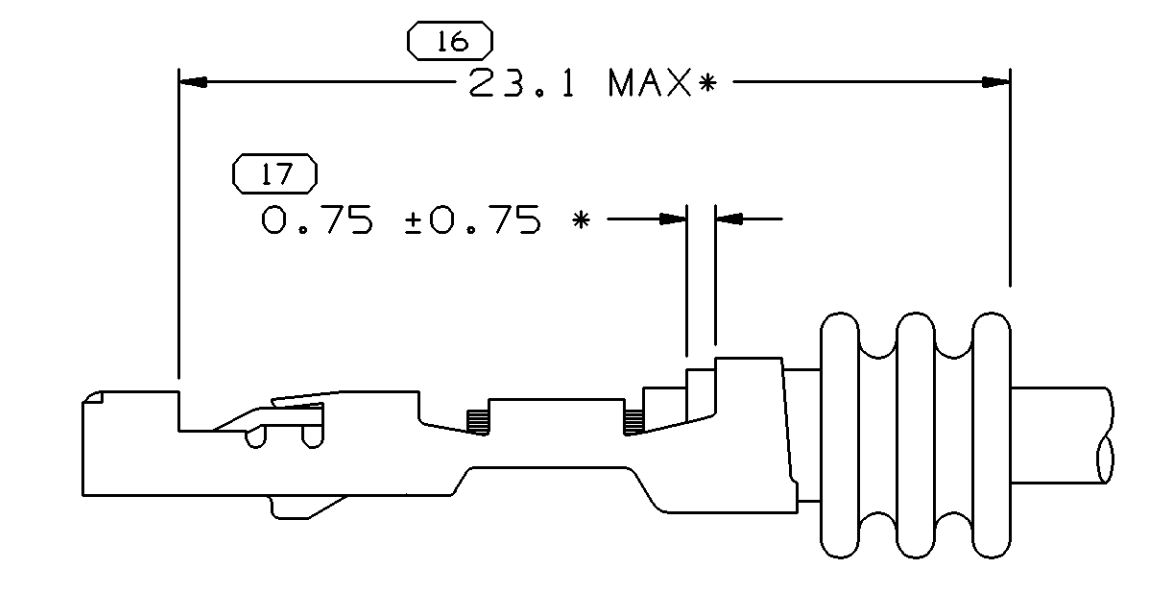
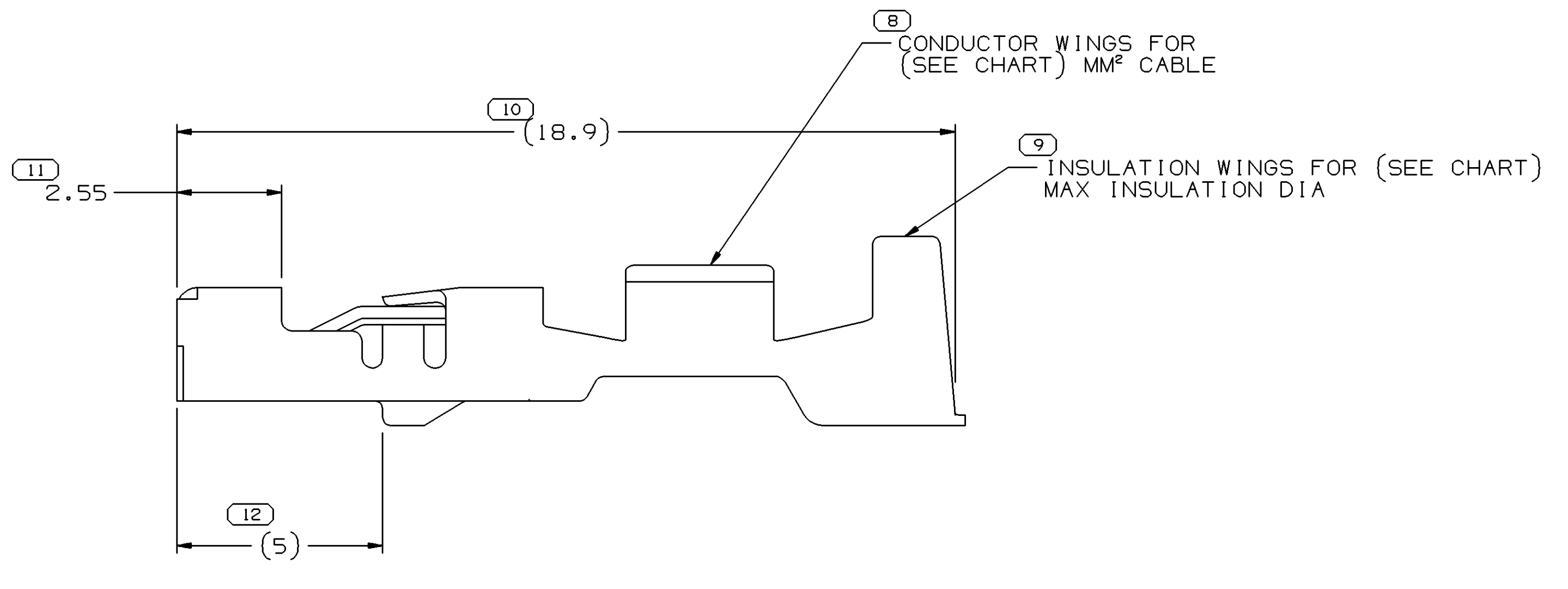


SYMBOL DEFINITION		MISSING NUMBERS		DWO STATUS		ZONE		REVISION HISTORY		AUTH	DR	APVD	APVD	
DATE	STG	REV	N/P	CHG	DATE	STG	REV	N/P	CHG	DATE	STG	REV	N/P	CHG
30JUL02	R	01	-	-						CLEARED REVISION COLUMN: ALL PARTS - REDRAWN TO PD & UPDATED PDM ATTRIBUTES	226419	JVM	JVM	TTP
12SEP03	R	02	-	-						REVISED GRAPHICS	241005	LOA	FKV	CD
17SEP03	R	03	-	-						15326266 - UPDATED PDM ATTRIBUTES	245987	ADK	BB	TM
24OCT03	R	04	-	-						UPDATED REVISION LEVEL IN CHART.	246088	LMB	LMB	RF
16AUG04	R	05	-	-						ADDED TERMINAL I.D. NOTE: REMOVED "PXX" FROM GRAPHICS	258116	TSH	TSH	RF
16MAY05	R	06	-	-						ALL PARTS - ADDED 3 COLUMNS TO CHART	268254	JS	JS	LN



2 RIB SEAL POSITION REF AND TERMINAL/CABLE ALIGNMENT

SCALE 5:1



3 RIB SEAL POSITION REF

SCALE 5:1

NOTES

- UNLESS OTHERWISE SPECIFIED AND/OR INDICATED: DIMENSIONS ARE TO FACE OF VIEW SHOWN AND AUTOMATICALLY ROUNDED BY COMPUTER FOR INSPECTION. (SEE MATH MODEL FOR PRECISE DIMENSIONS.) FOR ALL OTHER DIMENSIONS NOT SHOWN BUT REQUIRED FOR TOOL BUILD, SEE MATH MODEL FOR PRECISE TOOL PATH DATA.
- REFERENCE MATING COMPONENTS OR EQUIVALENT: TERMINAL - 15304706
- \* DENOTES DIMENSIONS MADE AT CUT-OFF AND CRIMP DIE.

PART NO	REV	N/P	STATUS	MAT'L SIZE	MAT'L SPEC	SIZE (MM²)	ID	DIA	TYPE	B <sub>i</sub> ± 0.2	APPLICATION	TYPICAL CABLE SEAL OR EQUIVALENT	TYPICAL SEALING CAVITY CONFIG.
15326267	04	AB		0.3 X 27.38	M3659A23 C42500 EX HD	0.75 - 0.8	18	2.02 - 1.7	101	2.65	SEALED (MINI)	15305351	3.2 X 4 OVAL
15326266	04	AB		0.3 X 27.38	M3659A23 C42500 EX HD	0.35 - 0.5	21	1.85 - 1.2	101	2.1	SEALED (MINI)	15366022	3.2 X 4 OVAL
15326265	04	AB		0.3 X 27.38	M3659A23 C42500 EX HD	0.75 - 1	17	2.25 - 1.7	101	2.65	SEALED (GT)	15366060	Ø 4 ROUND
15326264	04	AB		0.3 X 27.38	M3659A23 C42500 EX HD	0.35 - 0.5	21	1.85 - 1.2	101	2.1	SEALED (GT)	15366021	Ø 4 ROUND

2 PROCESS SENSITIVE DIMENSION		THIRD ANGLE PROJECTION		DO NOT SCALE	
DIMENSIONS ENCLOSED IN ( ) INDICATE REFERENCE DIMENSIONS AND NO TOLERANCE UNITS ARE ESTABLISHED		USE MATH DATA		UNSPRINGS	
FROM	TO	CHART	SCALE	FRAME NO	SHEET NO
0	15	>12	10:1	1 OF 1	2 OF 5
TOLERANCE UNLESS OTHERWISE SPECIFIED		ANGULAR TOLERANCE 12°			
±0.1		±0.2			

**DELPHI**  
DELPHI PACKARD ELECTRIC SYSTEMS  
WARREN, OH

DR	DATE
APVD1 H. CASTRILLON	18AP97
APVD2 FCO. KOPCA	21AP97
APVD3 S.C. HSTEH	30SEP98
APVD4	
APVD5	

THIS DOCUMENT IS IN ACCORDANCE WITH ASME Y14.5M-1994 AS MODIFIED BY THE DR & SDR DIMENSIONING AND TOLERANCING ADDENDUM-2003. SEPARATE PATTERNING OF FEATURES MAY BE OBTAINED SEPARATELY REGARDLESS OF DATUM REFERENCE.

ALL DIMENSIONS ARE IN MILLIMETERS

UNLESS OTHERWISE SPECIFIED

REFERENCE

DRAWING NAME: TAXI TERM F GT 150

DRAWING NUMBER: 12191815

SIZE: AO SCALE: 10:1 FRAME NO: 1 OF 1 SHEET NO: 2 OF 5 REV: R 06

## X-ON Electronics

Largest Supplier of Electrical and Electronic Components

*Click to view similar products for [Automotive Connectors](#) category:*

*Click to view products by [Delphi](#) manufacturer:*

Other Similar products are found below :

[003-018-000](#) [600858](#) [60403001](#) [60993906-B](#) [60993913-B](#) [629515004020001](#) [M902-2131](#) [M902-2161](#) [M902-2344](#) [72.330.1035.1](#)  
[73.353.4028.0](#) [F118010](#) [F119300-B](#) [F132210](#) [F132210-B](#) [F166900](#) [F180100](#) [F258300](#) [F258300-B](#) [F294300-B](#) [F339100](#) [F339700](#) [F358300-](#)  
[B](#) [F374110](#) [F407400](#) [F412210](#) [F427600](#) [F444110](#) [F487000](#) [F495100-B](#) [F500900-B](#) [F509500B-B](#) [770444-1](#) [776880-1](#) [827153-1](#) [881735-1](#)  
[8N1515-32-24P](#) [9-1326727-8](#) [9-1326729-8](#) [925467-1](#) [925474-1](#) [928905-1](#) [936398-2](#) [964562-1](#) [964562-4](#) [964731-2](#) [965051-1](#) [968782-1](#)  
[GT17SA-8DS-HU](#) [GT17VS-10DP-5.2CF](#)