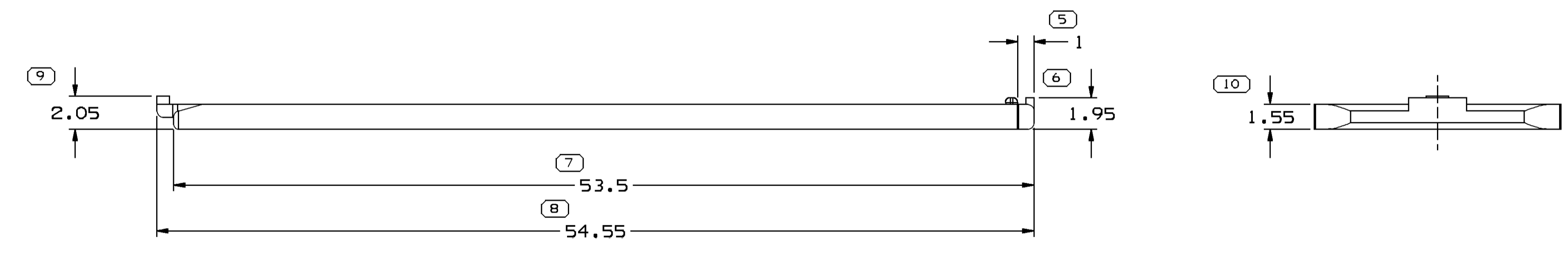
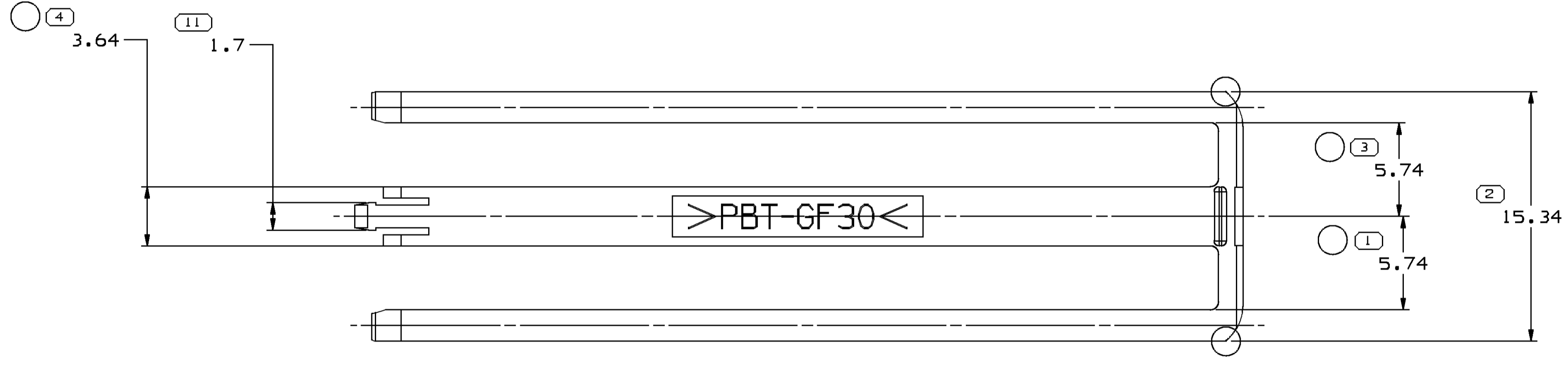
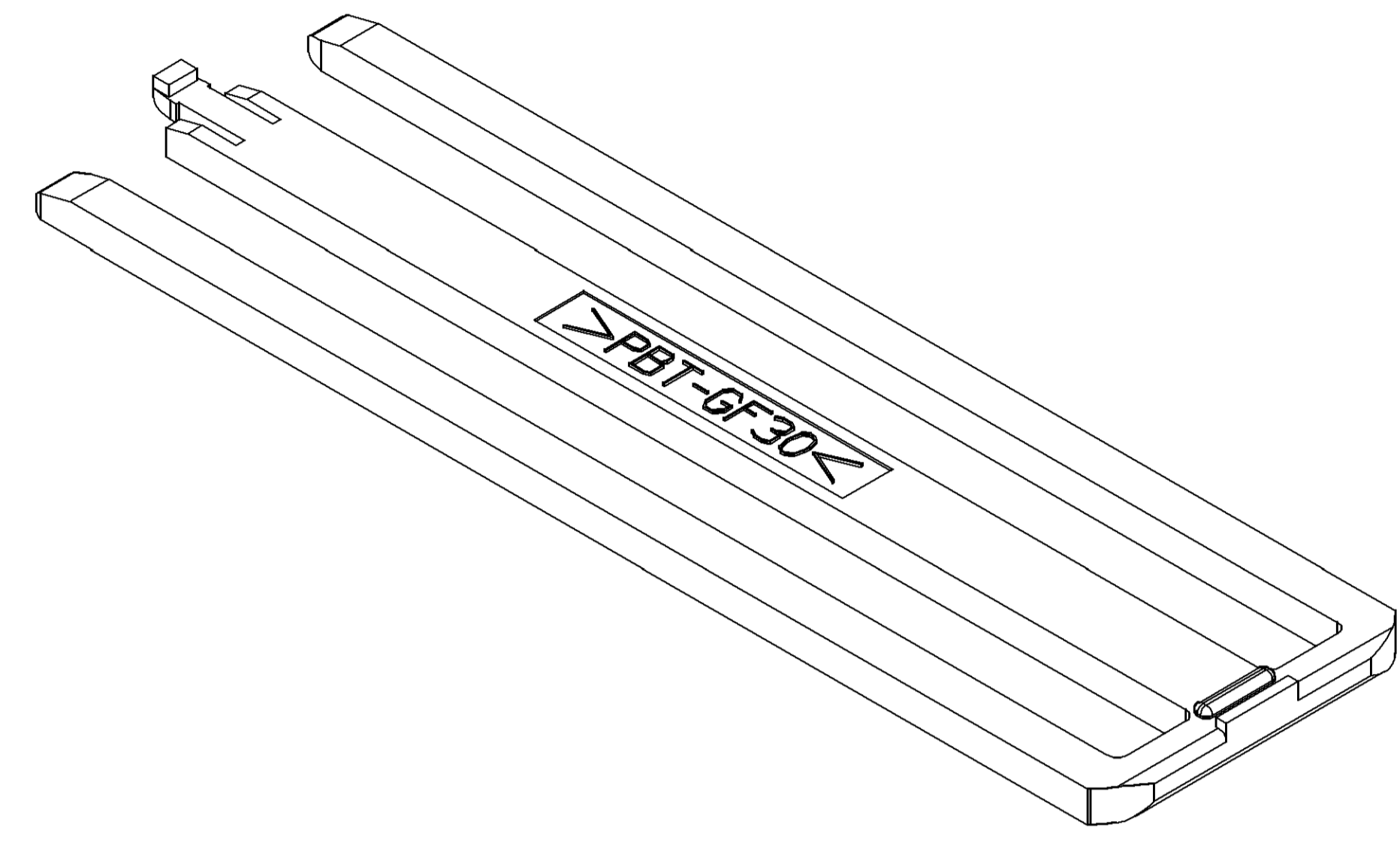


SYMBOL DEFINITION		TOTAL NO OF INSPECTIONS REQUIRED	MISSING SYMBOLS
A DIMENSION WITHOUT AN INSPECTION REPORT SYMBOL DOES NOT REQUIRE INSPECTION. IT MAY BE CONTROLLED ON THE INDIVIDUAL COMPONENT DRAWING.		11	NO MISSING SYMBOL NUMBER
	LAST NO. USED	11	

DWG STATUS						REVISION HISTORY		AUTH	DR	APVD	APVD
DATE	STG	REV	IN/P	CHG	ZONE						
31MY08	R	01	-	-		RELEASE		404961	WGJ	HH	JWG
18JN08	R	02	-	-		DIM #2 WAS 15.6, DIM #1 WAS 5.82, DIM #3 WAS 5.82		405077	WGJ	HH	JWG
30JN08	R	02	AA	-		ADD NOTE 3. RAL NUMBER 1023		405302	WGJ	HH	JWG
26JN09	R	03	-	-		REVISED GRAPHICS		408324	DMP	JWG	EZH
19JA10	R	03	AA	-		UPDATED GRAPHICS		408380	DMP	JWG	EZH
30JN13	R	04	-	-		UPDATED DRAWING ADD DIM #11		423208	CJ	HSB	EZH
05JN14	R	05	-	-		UPDATED GRAPHICS DIM #1 WAS 5.89, DIM #3 WAS 5.89, DIM #4 WAS 3.24		426746	CJ	HSB	JHU



- NOTES
- UNLESS OTHERWISE SPECIFIED AND/OR INDICATED:
DIMENSIONS ARE TO FACE OF VIEW SHOWN AND AUTOMATICALLY ROUNDED BY COMPUTER FOR INSPECTION (SEE MATH MODEL FOR PRECISE DIMENSIONS). FOR ALL OTHER DIMENSIONS NOT SHOWN BUT REQUIRED FOR TOOL BUILD, SEE MATH MODEL FOR PRECISE TOOL PATH DATA.
 - THIS PART USED IN FINAL ASSEMBLY 13713366 OR 13712203.
 - RAL NUMBER 1023

DELPHI
DELPHI PACKARD ELECTRICAL/ELECTRONIC ARCHITECTURE
WARREN, OH
COPYRIGHT 2008 DELPHI CORPORATION AND/OR ITS AFFILIATES. ALL RIGHTS RESERVED.
THIS DRAWING IS THE PROPERTY OF DELPHI CORPORATION AND CONTAINS DELPHI CONFIDENTIAL INFORMATION. THE REPRODUCTION, DISTRIBUTION AND UTILIZATION OF THIS DOCUMENT OR ITS CONTENTS OR DATA, AS WELL AS COMMUNICATION OF ANY CONTENT TO OTHERS, WITHOUT EXPRESS AUTHORIZATION, IS PROHIBITED.

DATE: _____
OR: _____
APVD1: WEIGUO JIANG 31MY08
APVD2: HENRY HE 31MY08
APVD3: JIANWEI GUO 31MY08
APVD4: ERIC ZHOU 31MY08
APVD5: _____
SUBSTANCES OF CONCERN AND RECYCLED CONTENT PER DELPHI (09449001)

MATERIAL: M45-9006 PBT GF30 YEL

DRAWING NAME: LOCK SECONDARY

DRAWING NUMBER: 13712214

SIZE: A0 SCALE: 5:1 FRAME NO: 1 OF 1 SHEET NO: 1 OF 1 STG: R REV: 05

UNLESS OTHERWISE SPECIFIED
THIS DOCUMENT IS IN ACCORDANCE WITH ASME Y14.5M-1994 AS MODIFIED BY THE 2003 DIMENSIONING AND TOLERANCING ADDENDUM-2003. SEPARATE PATTERNS OF FEATURES MAY BE SHOWN SEPARATELY, REGARDLESS OF DATUM REFERENCES.

ALL DIMENSIONS ARE IN MILLIMETERS

REFERENCE:

6 PROCESS SENSITIVE DIMENSION
DIMENSIONS ENCLOSED IN () INDICATE REFERENCE DIMENSIONS AND NO TOLERANCE LIMITS ARE ESTABLISHED

DIMENSIONAL RANGE (MM)	TOLERANCE	CHART	M
FROM > 0	> 0	> 30	> 70
TO 6	30	70	120
	60	160	200
	200	250	315
	315	400	
TOLERANCE UNLESS OTHERWISE SPECIFIED			
ANGULAR TOLERANCE ±1°			

THIRD ANGLE PROJECTION
DO NOT SCALE
USE MATH DATA

X-ON Electronics

Largest Supplier of Electrical and Electronic Components

Click to view similar products for [Automotive Connectors](#) category:

Click to view products by [Delphi](#) manufacturer:

Other Similar products are found below :

[003-018-000](#) [600858](#) [60403001](#) [60993906-B](#) [60993913-B](#) [629515004020001](#) [M902-2131](#) [M902-2161](#) [M902-2344](#) [72.330.1035.1](#)
[73.353.4028.0](#) [F118010](#) [F119300-B](#) [F132210](#) [F132210-B](#) [F166900](#) [F180100](#) [F258300](#) [F258300-B](#) [F294300-B](#) [F339100](#) [F339700](#) [F358300-](#)
[B](#) [F374110](#) [F407400](#) [F412210](#) [F427600](#) [F444110](#) [F487000](#) [F495100-B](#) [F500900-B](#) [F509500B-B](#) [770444-1](#) [776880-1](#) [827153-1](#) [881735-1](#)
[8N1515-32-24P](#) [9-1326727-8](#) [9-1326729-8](#) [925467-1](#) [925474-1](#) [928905-1](#) [936398-2](#) [964562-1](#) [964562-4](#) [964731-2](#) [965051-1](#) [968782-1](#)
[GT17SA-8DS-HU](#) [GT17VS-10DP-5.2CF](#)