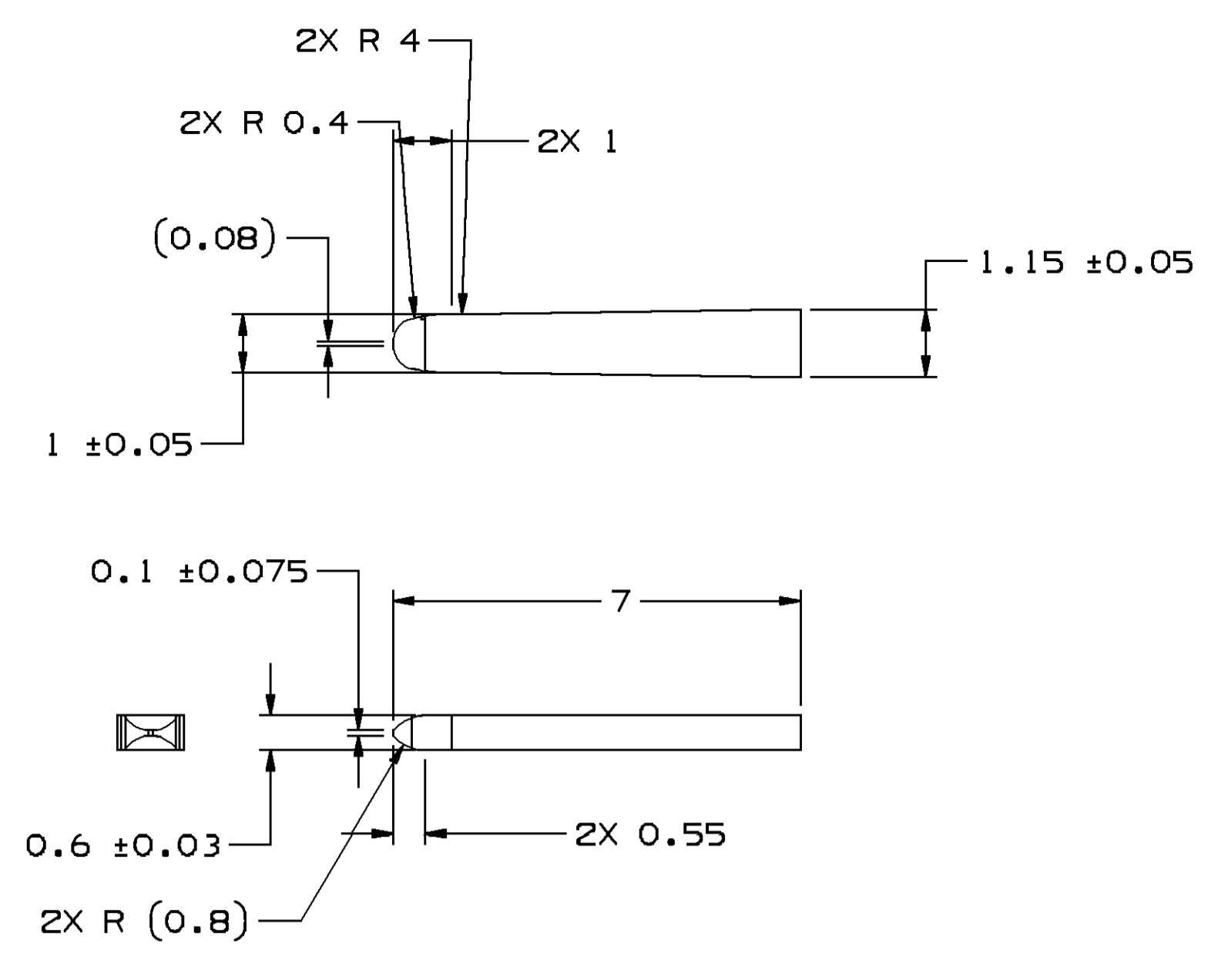
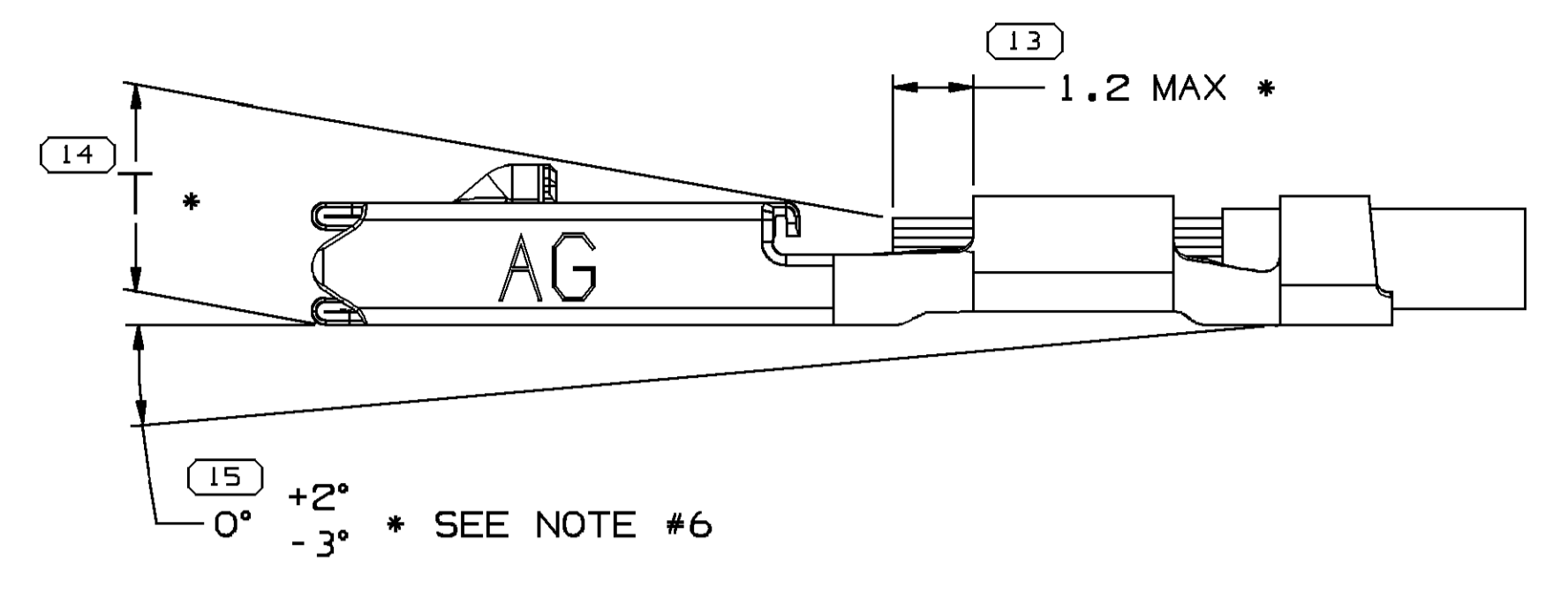


SYMBOL DEFINITION		TOTAL NO OF INSPECTIONS REQUIRED	22
A DIMENSION WITHOUT AN INSPECTION REPORT SYMBOL DOES NOT REQUIRE INSPECTION. IT MAY BE CONTROLLED ON THE INDIVIDUAL COMPONENT DRAWING.		LAST NO. USED	19

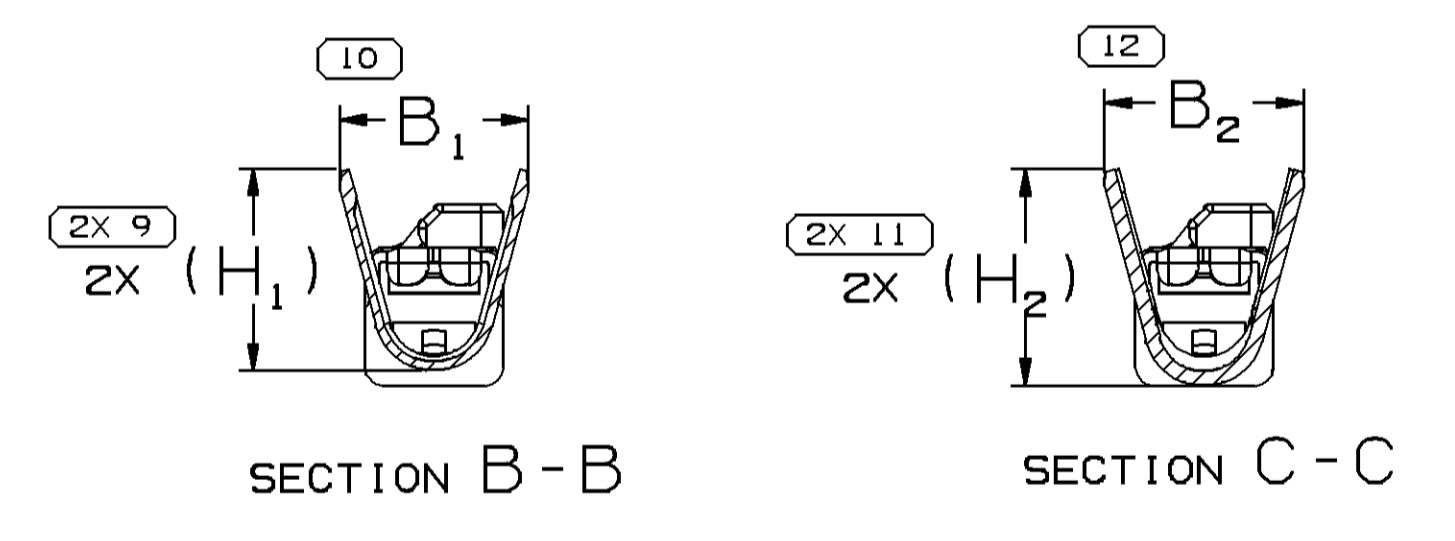
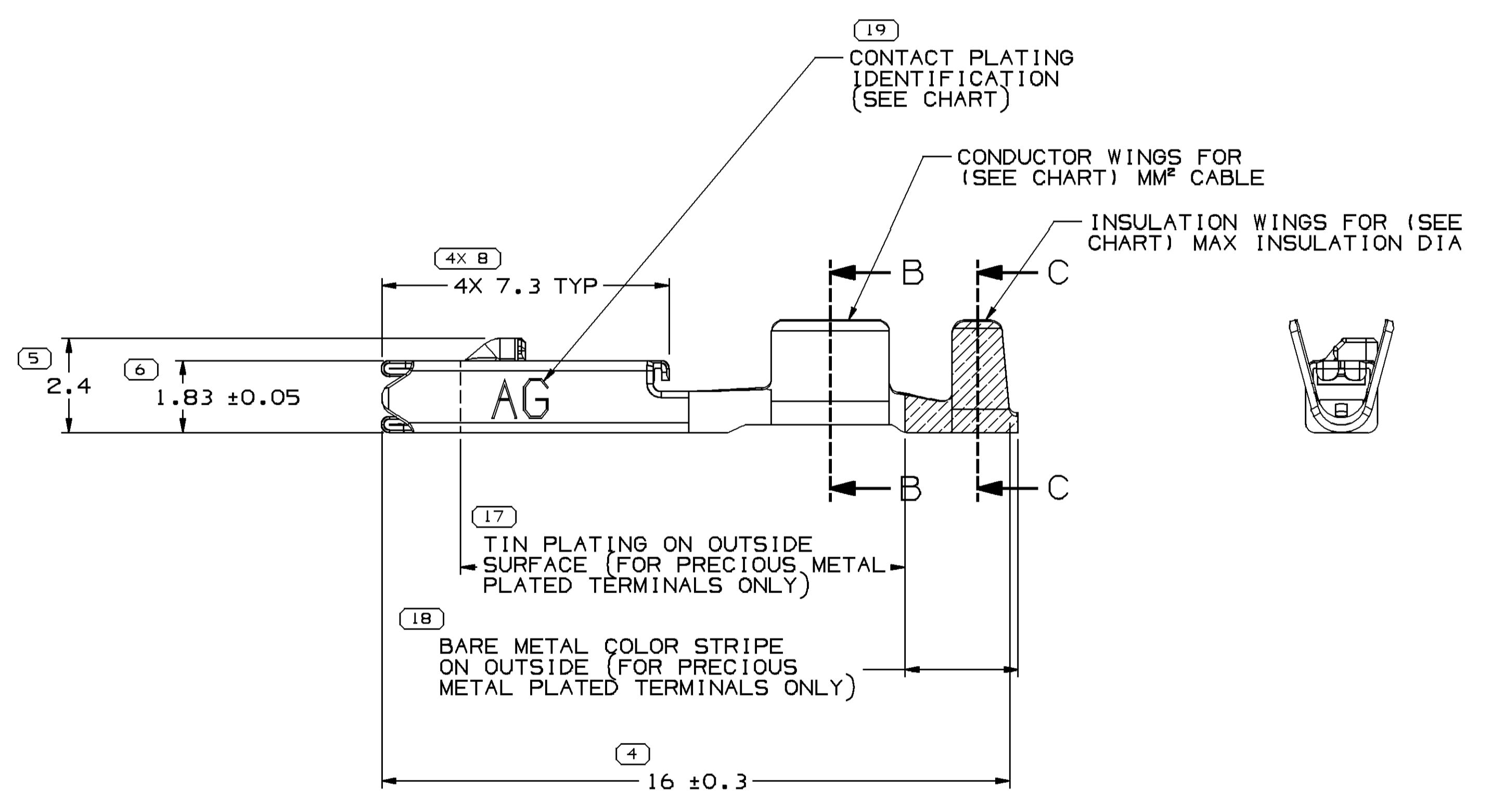
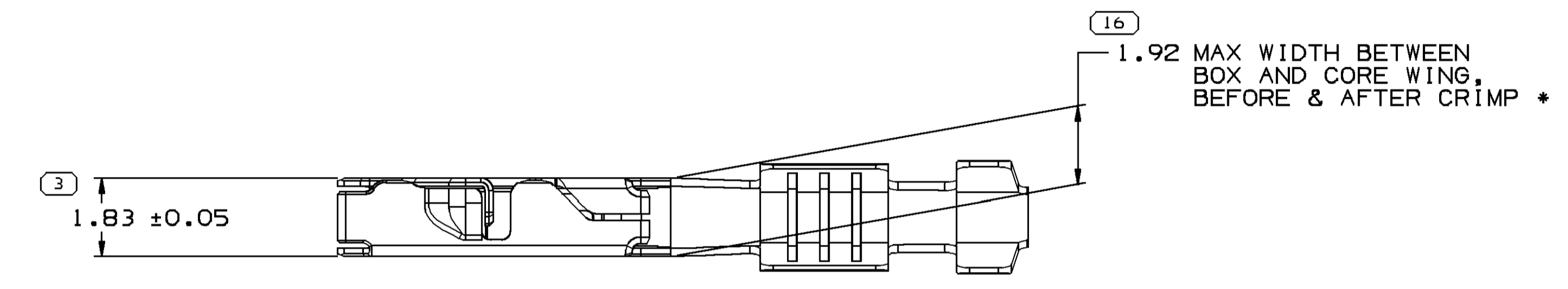
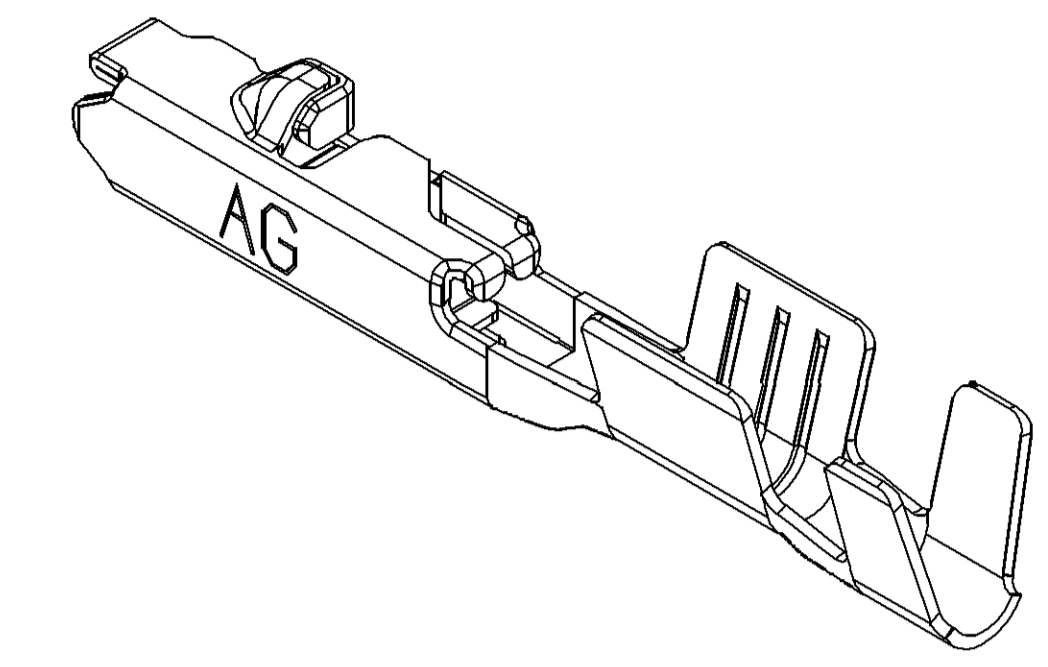
MISSING SYMBOLS		1 7							
DWG STATUS	DATE	REV	REV	ZONE	REVISION HISTORY	AUTH	DR	APVD	APVD
15FE07	R	01	-	-	ALL PARTS - RELEASED	400502	MAC	MAC	SCH
12JN07	R	02	-	-	ALL PARTS - MAT'L SPEC WAS M5791C21 AND CONTACT PLATING WAS TIN/SILVER	401643	JS	JS	SCH
24AU07	R	03	-	-	ALL PARTS: REVISED EXTERIOR LEAD-IN	402155	MM	MM	SCH
21SE07	R	04	-	-	ALL PARTS: UPDATED PDM ATTRIBUTES; CORRECTED MATERIAL SPECIFICATION	402423	MM	MM	SCH
17MR08	R	05	-	-	ALL PARTS: REDUCED MATERIAL STOCK WIDTH	404136	MM	MM	SCH
15MY08	R	06	-	-	ALL PARTS: REVISED PROCESS SENSITIVE DIMENSION	404644	MM	MM	SCH
11SE08	R	07	-	-	ALL PARTS: ADDED PLATING INFORMATION AND CONTACT PLATING I.D. COLUMN IN CHART	405961	MM	MM	SCH
13NO08	R	08	-	-	ALL PARTS: REVISED PLATING INFORMATION	406771	MM	MM	SCH
05DE08	R	09	-	-	ALL PARTS: REVISED GRAPHICS	406948	MM	MM	SCH
26JA12	R	10	-	-	ALL PARTS - DRAWING NAME WAS TERM F MICRO HVT 1.2	416835	JEG	JEG	JRV
05FE13	R	11	-	-	ALL PARTS - ADDED OPTIONAL SLOT LABEL	421330	AHG	JVM	MEC
02JL13	R	12	-	-	ALL PARTS: UPDATED PDM ATTRIBUTES; NO REV UPDATE REQ'D	423154	CM	CM	MEC
24AP14	R	13	-	-	ALL PARTS - REVISED CRIMP DIMENSIONING NOTE	426369	APB	JAA	MEC



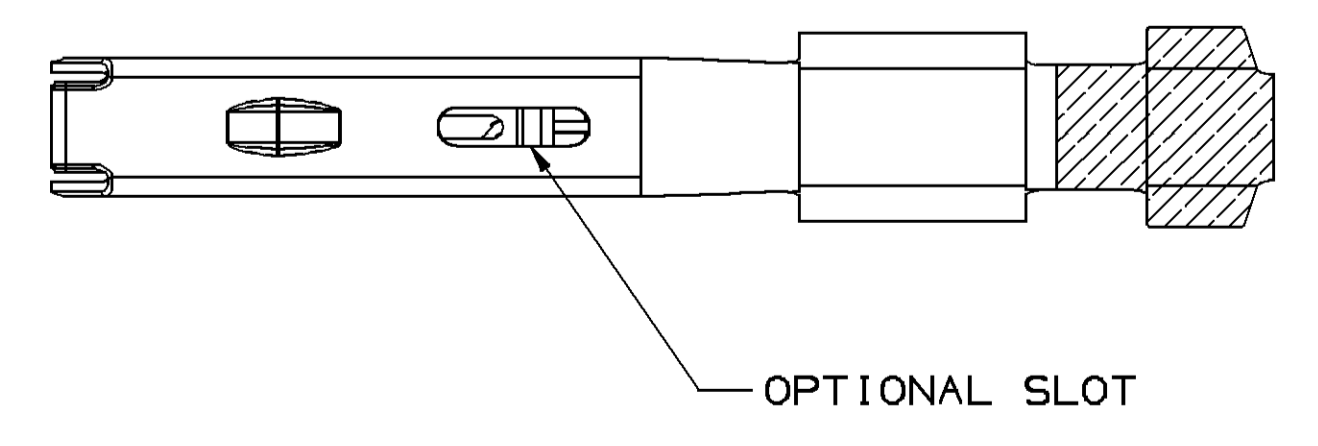
RECOMMENDED MATING BLADE CONFIGURATION
SCALE 10:1



TERMINAL, CABLE CRIMP ALIGNMENT & POSITION



- NOTES
- UNLESS OTHERWISE SPECIFIED AND/OR INDICATED: DIMENSIONS ARE TO FACE OF VIEW SHOWN AND AUTOMATICALLY ROUNDED BY COMPUTER FOR INSPECTION (SEE MATH MODEL FOR PRECISE DIMENSIONS). FOR ALL OTHER DIMENSIONS NOT SHOWN BUT REQUIRED FOR TOOL BUILD, SEE MATH MODEL FOR PRECISE TOOL PATH DATA.
 - RECOMMENDED MATING BLADE THICKNESS 0.6±0.03 MM OR 0.64±0.03 MM RECOMMENDED MATING BLADE WIDTH NOT TO EXCEED 1.2 MM AND NO LESS THAN 0.61 MM.
 - MAXIMUM CURRENT CAPACITY IS 10 AMPS WITH 0.8 MM² COPPER CABLE.
 - CRIMP DIMENSION FROM THE BACK OF THE CORE WING (INCLUDES THE FLARE OUT FROM THE CORE WING) TO THE END OF THE INSULATION WING.
2.05 MM MAX WIDTH, 2.1 MM MAX HEIGHT FOR CABLE SIZE UP TO 1.9 MM O.D.
2.35 MM MAX WIDTH, 2.40 MM MAX HEIGHT FOR CABLE SIZE BETWEEN 1.86 TO 2.25 MM O.D.
2.67 MM MAX WIDTH, 2.67 MM MAX HEIGHT FOR CABLE SIZE BETWEEN 2.25 TO 2.40 MM O.D.
 - * DENOTES DIMENSIONS MADE AT CUT-OFF & CRIMP DIE.
 - PLUS ANGLE IS WING BOTTOM SURFACE ROTATED COUNTERCLOCKWISE AGAINST THE BOX BOTTOM SURFACE.



PART NO	REV	N/P	MAT'L SIZE	MAT'L SPEC	CONTACT PLATING	CONTACT PLATING I.D.	SIZE (MM²)	ID	DIA	B _{10.2}	B _{210.2}	(H ₁)	(H ₂)	T MAX
13627887	02	AK	0.19 X 26.78	SILVER PLATED COPPER ALLOY	SILVER	AG	0.8-1.0	17	1.86 - 2.4	2.5	2.8	2.7	2.8	1.6
13627886	02	AK	0.19 X 26.78	SILVER PLATED COPPER ALLOY	SILVER	AG	0.75-0.8	18	1.7 - 1.9	2.5	2.5	2.7	2.5	1.5
13627884	02	AK	0.19 X 26.78	SILVER PLATED COPPER ALLOY	SILVER	AG	0.35-0.50	21	1.47 - 1.9	2	2.4	2.1	2.4	1.4

DELPHI
DELPHI PACKARD ELECTRICAL/ELECTRONIC ARCHITECTURE
WARREN, OH
COPYRIGHT 2007 DELPHI CORPORATION AND/OR ITS AFFILIATES. ALL RIGHTS RESERVED.
THIS DRAWING IS THE PROPERTY OF DELPHI CORPORATION AND CONTAINS DELPHI CONFIDENTIAL INFORMATION. THE REPRODUCTION, DISTRIBUTION AND UTILIZATION OF THIS DOCUMENT OR ITS CONTENTS TO ANY OTHERS, WITHOUT EXPRESS AUTHORIZATION, IS PROHIBITED.

DWG TYPE: PART DRAWING
DISTR CODE: D
UNLESS OTHERWISE SPECIFIED THIS DOCUMENT IS IN ACCORDANCE WITH ASME Y14.5M-1994 AS MODIFIED BY THE 3D MODEL DIMENSIONING AND TOLERANCING ADDENDUM-2001. SEPARATE PATTERNS OF FEATURES MAY BE DIMED SEPARATELY, REGARDLESS OF DATUM REFERENCES.
ALL DIMENSIONS ARE IN MILLIMETERS

APVD1: M. CHRESTAY
APVD2: M. CHRESTAY
APVD3: S. HSIEH
APVD4:

DATE: 15FE07
DATE: 15FE07
DATE: 16FE07

DRAWING NUMBER: 13543112
SCALE: 10:1
SHEET NO: 3 OF 3
REV: R 13

X-ON Electronics

Largest Supplier of Electrical and Electronic Components

Click to view similar products for [Automotive Connectors](#) category:

Click to view products by [Delphi](#) manufacturer:

Other Similar products are found below :

[003-018-000](#) [600858](#) [60403001](#) [60993906-B](#) [60993913-B](#) [629515004020001](#) [M902-2131](#) [M902-2161](#) [M902-2344](#) [72.330.1035.1](#)
[73.353.4028.0](#) [F118010](#) [F119300-B](#) [F132210](#) [F132210-B](#) [F166900](#) [F180100](#) [F258300](#) [F258300-B](#) [F294300-B](#) [F339100](#) [F339700](#) [F358300-](#)
[B](#) [F374110](#) [F407400](#) [F412210](#) [F427600](#) [F444110](#) [F487000](#) [F495100-B](#) [F500900-B](#) [F509500B-B](#) [770444-1](#) [776880-1](#) [827153-1](#) [881735-1](#)
[8N1515-32-24P](#) [9-1326727-8](#) [9-1326729-8](#) [925467-1](#) [925474-1](#) [928905-1](#) [936398-2](#) [964562-1](#) [964562-4](#) [964731-2](#) [965051-1](#) [968782-1](#)
[GT17SA-8DS-HU](#) [GT17VS-10DP-5.2CF](#)