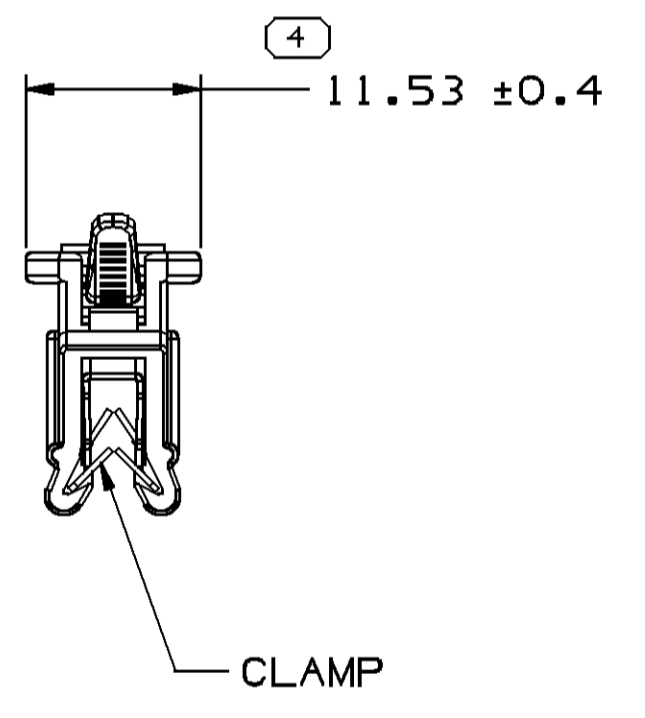
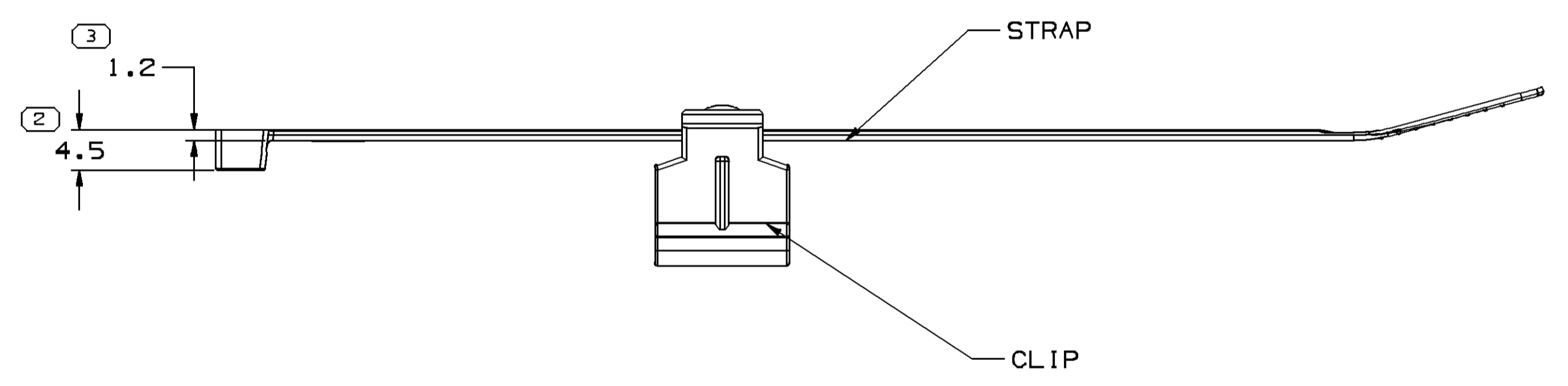
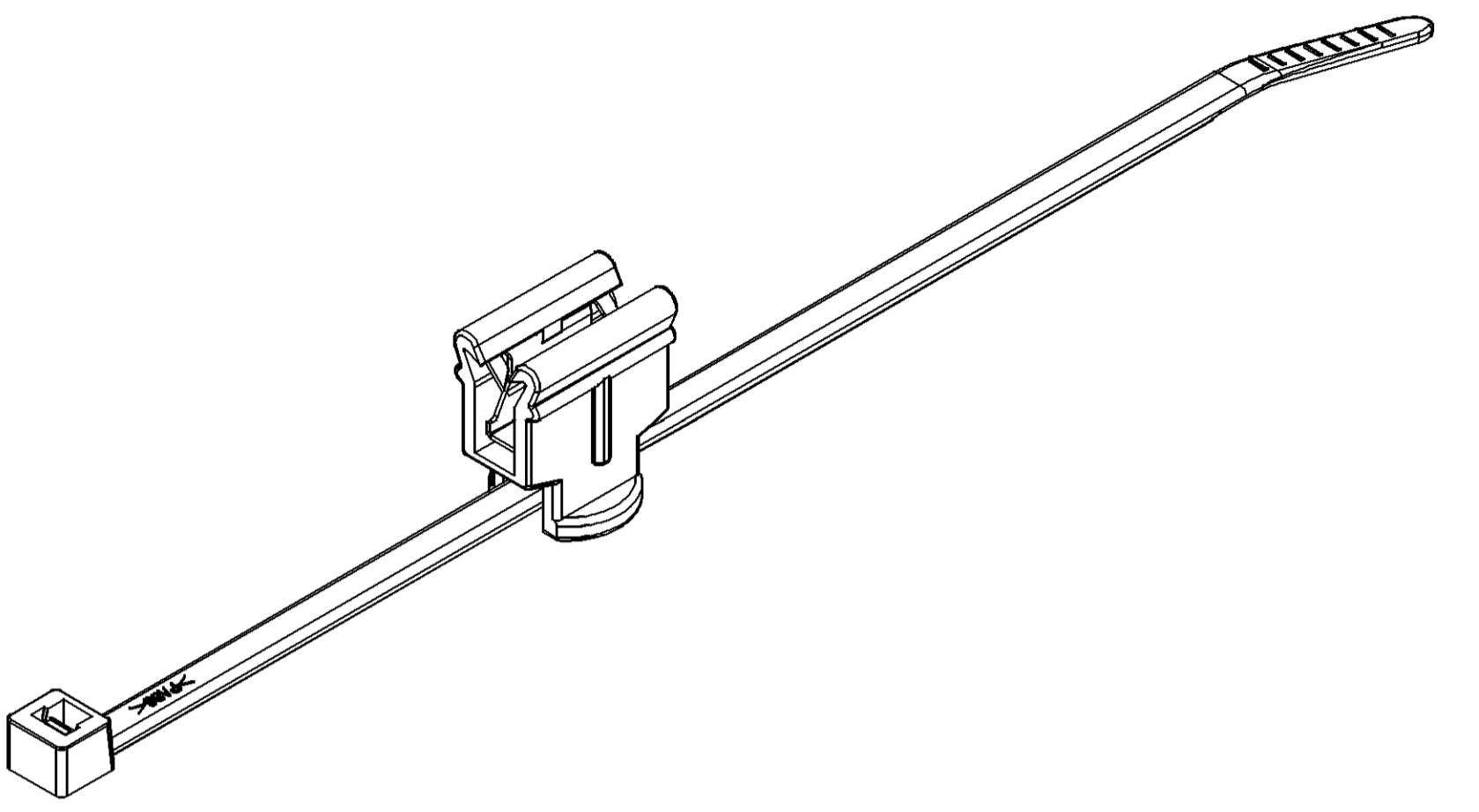
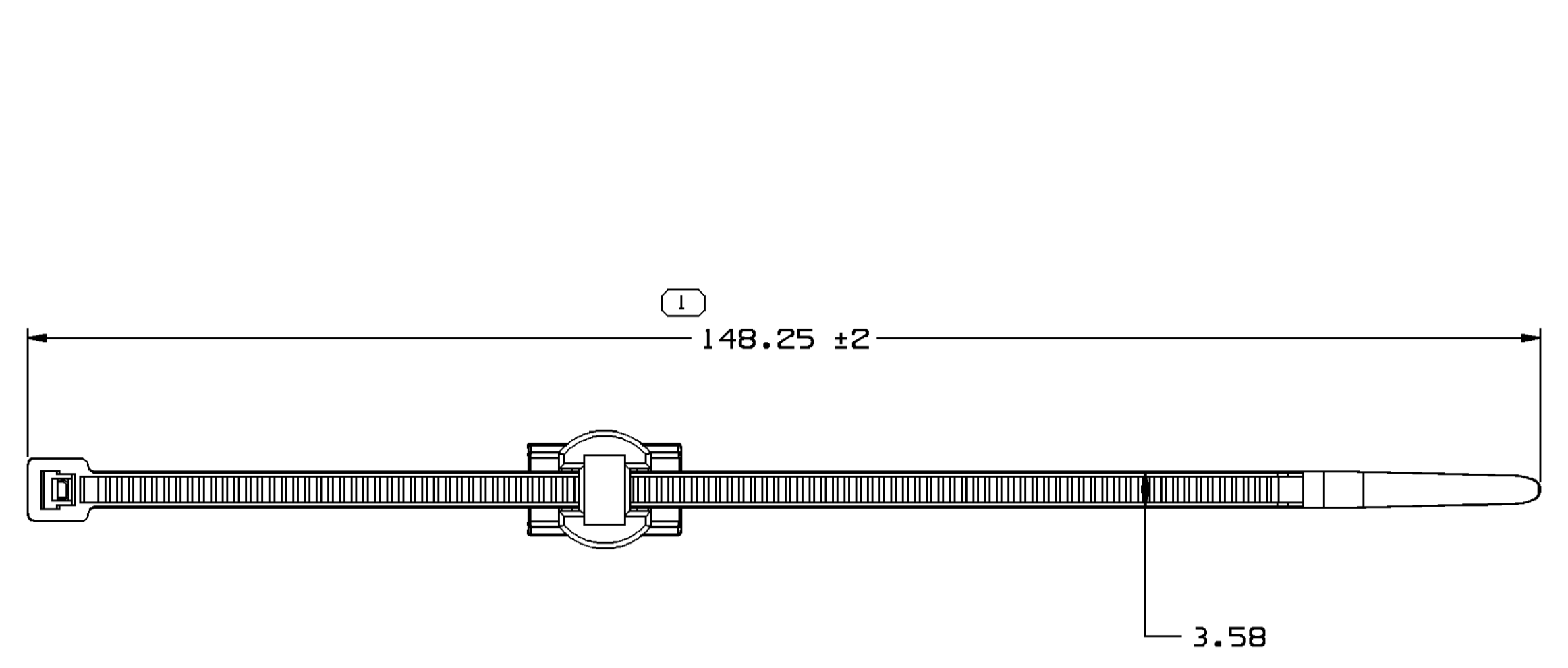


SYMBOL DEFINITION	
A DIMENSION WITHOUT AN INSPECTION REPORT SYMBOL ( ) DOES NOT REQUIRE INSPECTION. IT MAY BE CONTROLLED ON THE INDIVIDUAL COMPONENT DRAWING.	TOTAL NO OF INSPECTIONS REQUIRED
	4
	LAST NO. USED
	4

MISSING SYMBOLS					DWG STATUS		REVISION HISTORY		AUTH	
DATE	STG	REV	N/P	CHG	ZONE					
170C06	R	01	-	-	-	RELEASED			ZB57B3	ZBC
11DE09	R	01	AA	-		ADD NOTES4			409294	WDZ



NOTES

- UNLESS OTHERWISE SPECIFIED AND/OR INDICATED:  
DIMENSIONS ARE TO FACE OF VIEW SHOWN AND AUTOMATICALLY ROUNDED BY COMPUTER FOR INSPECTION (SEE MATH MODEL FOR PRECISE DIMENSIONS). FOR ALL OTHER DIMENSIONS NOT SHOWN BUT REQUIRED FOR TOOL BUILD, SEE MATH MODEL FOR PRECISE TOOL PATH DATA.
- THIS PART ACCEPTS THE FOLLOWING COMPONENTS OR EQUIVALENT:  
CLIP 13608152  
STRAP 13608153  
CLAMP 13603970
- PANEL THICKNESS 1-3MM.
- STRAP TO LOCK SLOT DISENGAGE FORCE MIN. 110 N.

PART NO	PART NAME	QUANTITY
13603970	CLAMP	1
13608153	STRAP	1
13608152	CLIP	1

DIMENSIONAL RANGE (MM)		CHART	P
FROM	> 0	> 30	> 70
TO	30	70	100
	100	150	200
	150	200	250
	200	250	300
	250	300	400

TOLERANCE UNLESS OTHERWISE SPECIFIED  
 ±0.1 | ±0.3 | ±0.4 | ±0.5 | ±0.6 | ±0.8 | ±1 | ±1.2  
 ANGULAR TOLERANCE ±1°

DWG TYPE	
PART DRAWING	
STYLE	
VOLUME (C/P)	DISTR CODE
1.634	D
UNLESS OTHERWISE SPECIFIED	
THIS DOCUMENT IS IN ACCORDANCE WITH ASME Y14.5M-1994 AS AMENDED BY THE GM GLOBAL DIMENSIONING AND TOLERANCING ADDENDUM-2001. SEPARATE PATTERNS OF FEATURES MAY BE GAGED SEPARATELY REGARDLESS OF DATUM REFERENCES.	
ALL DIMENSIONS ARE IN MILLIMETERS	
REFERENCE	
THIRD ANGLE PROJECTION	DO NOT SCALE
	USE MATH DATA

**DELPHI**  
 DELPHI PACKARD ELECTRIC SYSTEMS  
 WARREN, OH

DR	DATE
APVD1 ZHENGBIAO CHEN	170C06
APVD2 JIANWEI GUO	170C06
APVD3 ZHENGBIAO CHEN	170C06
APVD4	
APVD5	

UNLESS OTHERWISE SPECIFIED  
 SUBSTANCES OF CONCERN AND RECYCLED CONTENT PER DELPHI 10949001

MATERIAL  
 SEE DRAWING

DRAWING NAME  
 ASM MOUN WIRE TIE CLIP HD

DRAWING NUMBER  
 13608149

SIZE	SCALE	FRAME NO	SHEET NO	STG	REV	N/P
A1	2:1	1 OF 1	1 OF 1	R	01	AA

## X-ON Electronics

Largest Supplier of Electrical and Electronic Components

*Click to view similar products for [Automotive Connectors](#) category:*

*Click to view products by [Delphi](#) manufacturer:*

Other Similar products are found below :

[003-018-000](#) [600858](#) [60403001](#) [60993906-B](#) [60993913-B](#) [629515004020001](#) [M902-2131](#) [M902-2161](#) [M902-2344](#) [72.330.1035.1](#)  
[73.353.4028.0](#) [F118010](#) [F119300-B](#) [F132210](#) [F132210-B](#) [F166900](#) [F180100](#) [F258300](#) [F258300-B](#) [F294300-B](#) [F339100](#) [F339700](#) [F358300-](#)  
[B](#) [F374110](#) [F407400](#) [F412210](#) [F427600](#) [F444110](#) [F487000](#) [F495100-B](#) [F500900-B](#) [F509500B-B](#) [770444-1](#) [776880-1](#) [827153-1](#) [881735-1](#)  
[8N1515-32-24P](#) [9-1326727-8](#) [9-1326729-8](#) [925467-1](#) [925474-1](#) [928905-1](#) [936398-2](#) [964562-1](#) [964562-4](#) [964731-2](#) [965051-1](#) [968782-1](#)  
[GT17SA-8DS-HU](#) [GT17VS-10DP-5.2CF](#)