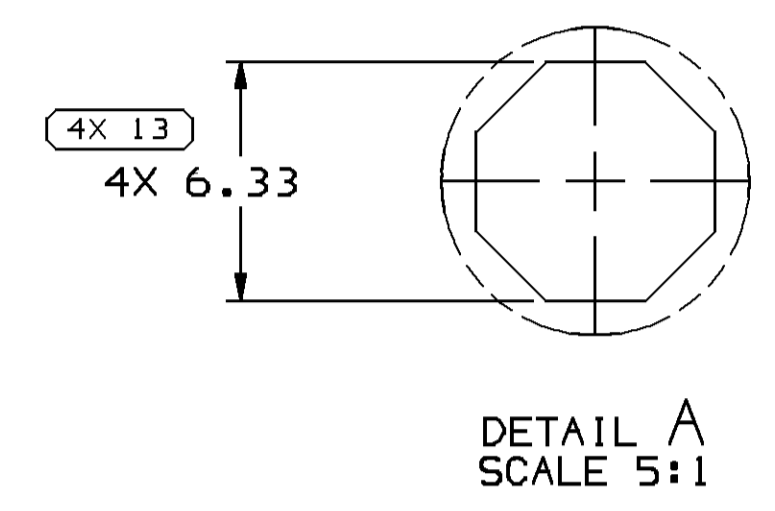
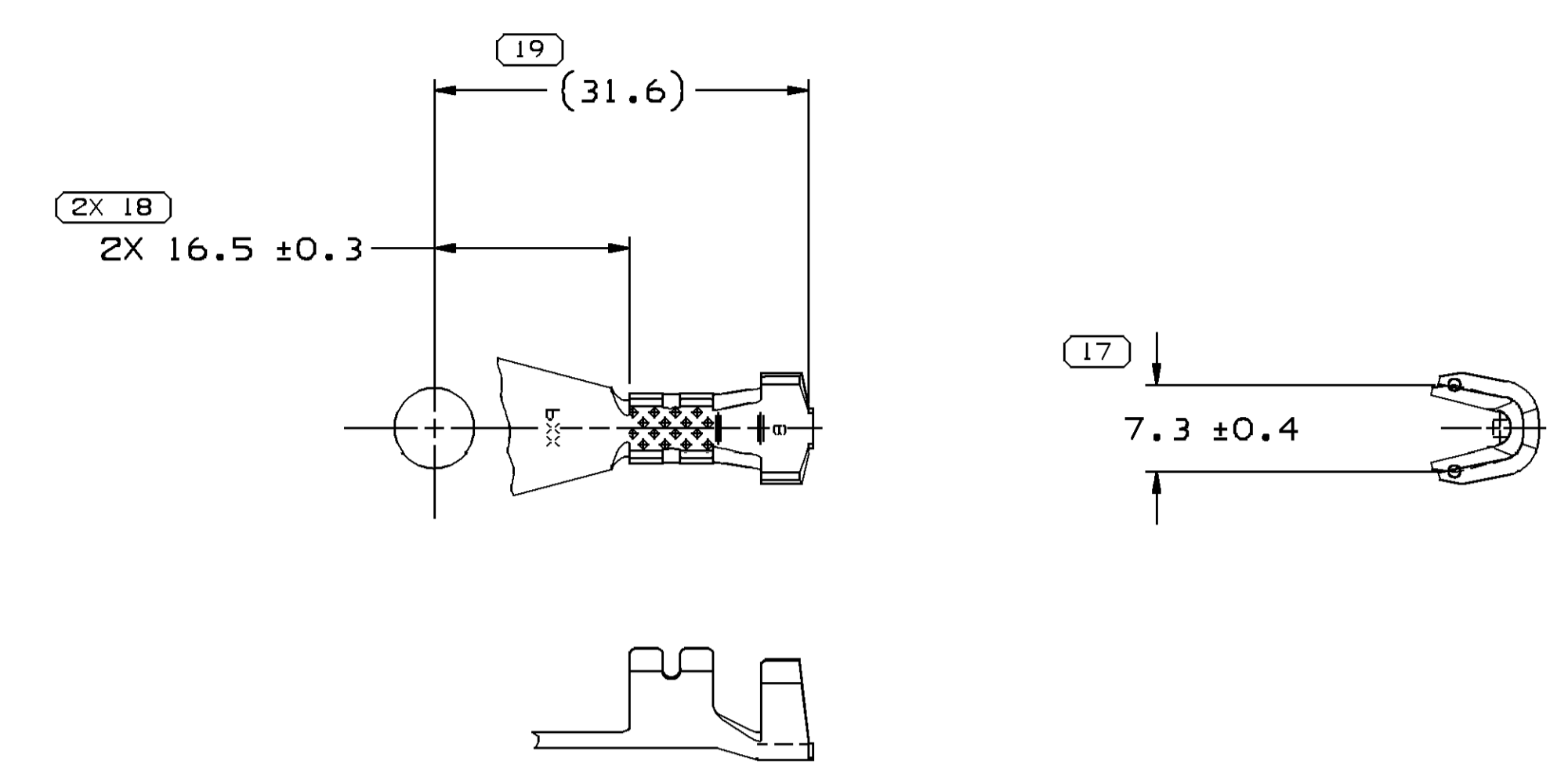
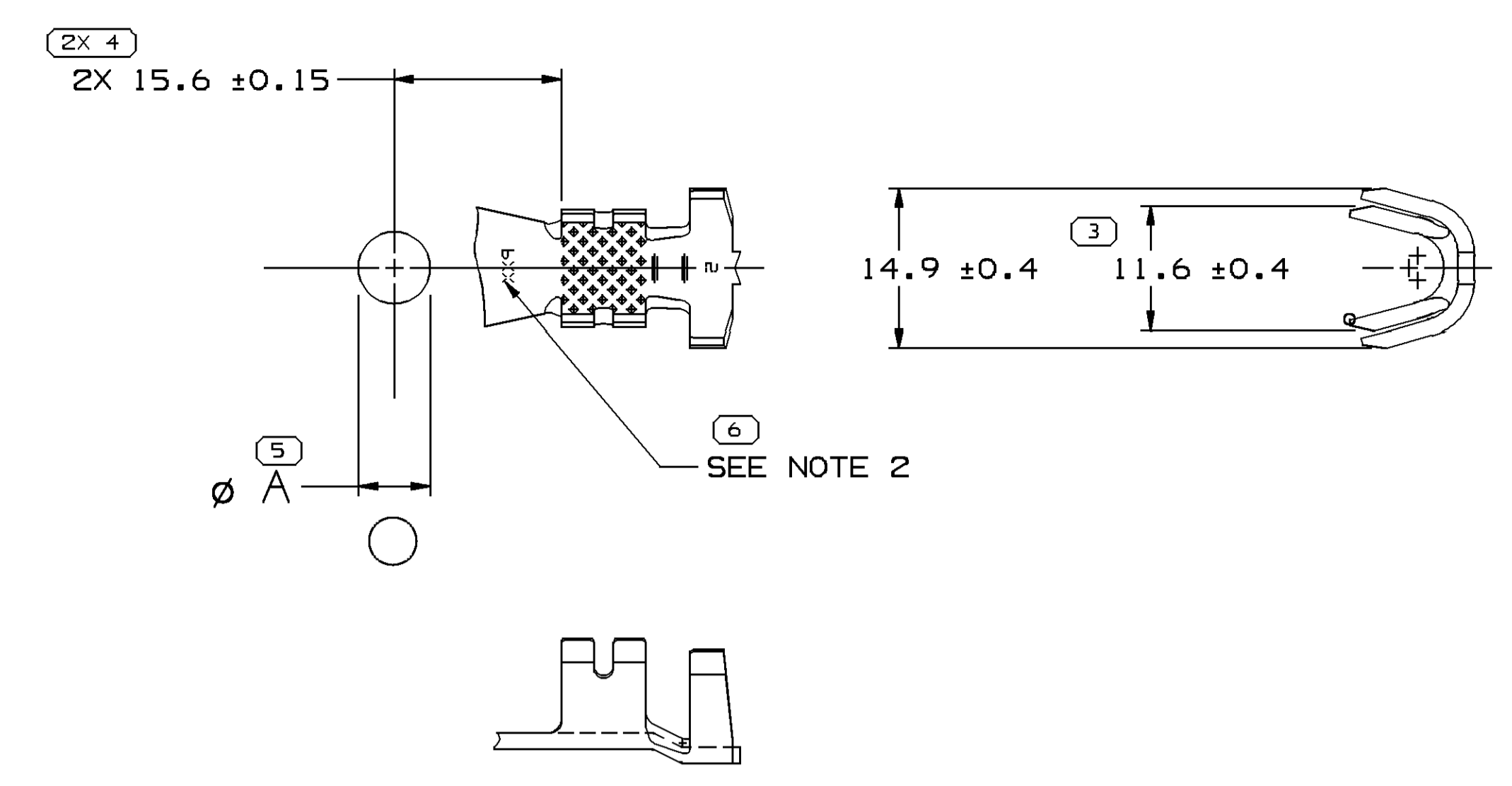
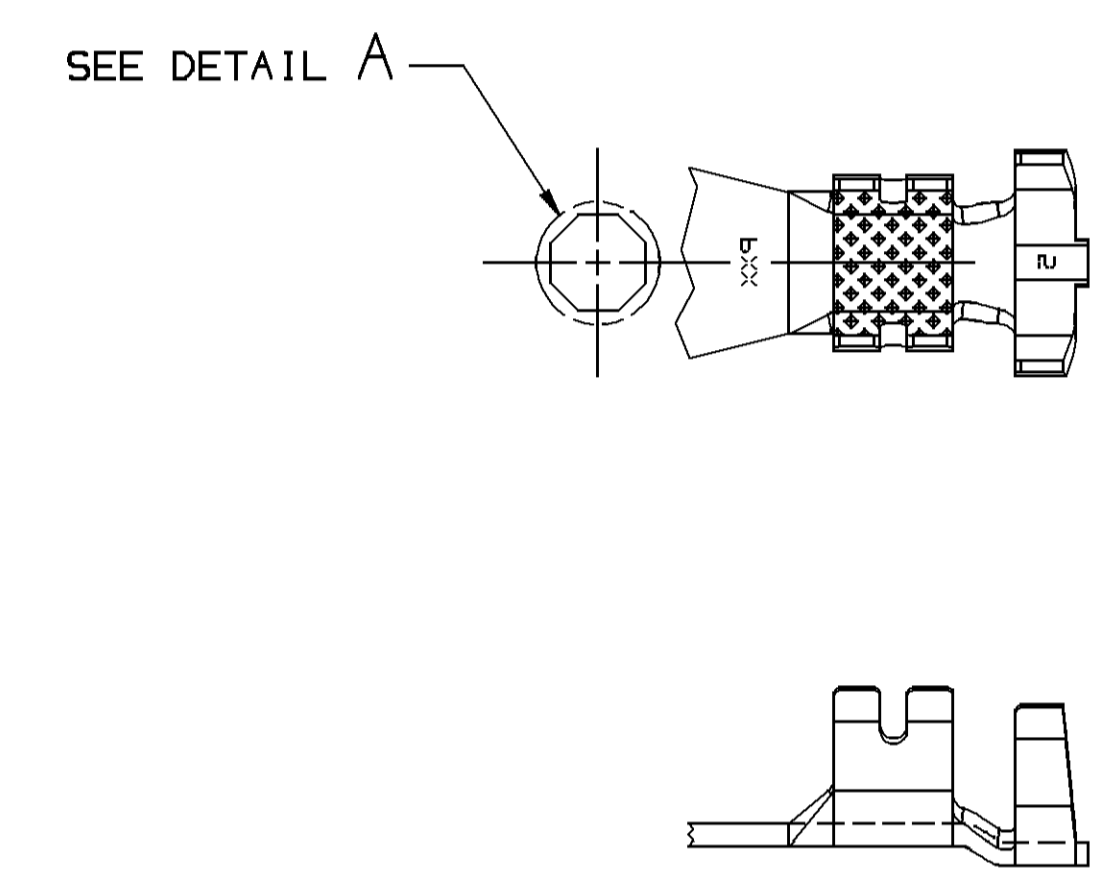
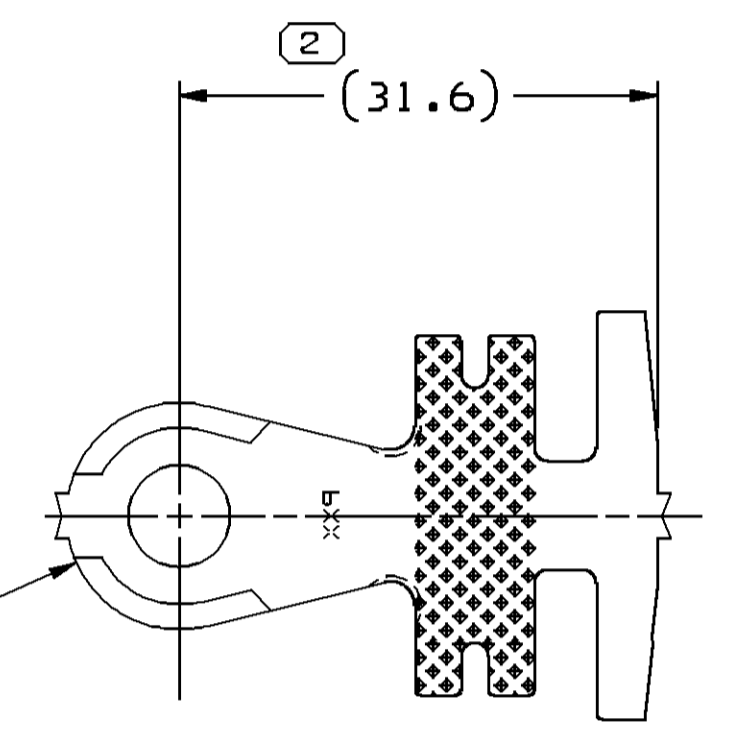


SYMBOL DEFINITION		MISSING SYMBOLS	
A DIMENSION WITHOUT AN INSPECTION REPORT SYMBOL DOES NOT REQUIRE INSPECTION. IT MAY BE CONTROLLED ON THE INDIVIDUAL COMPONENT DRAWING.	TOTAL NO OF INSPECTIONS REQUIRED	NO MISSING SYMBOL NUMBER	
	26		
	LAST NO. USED		
	19		

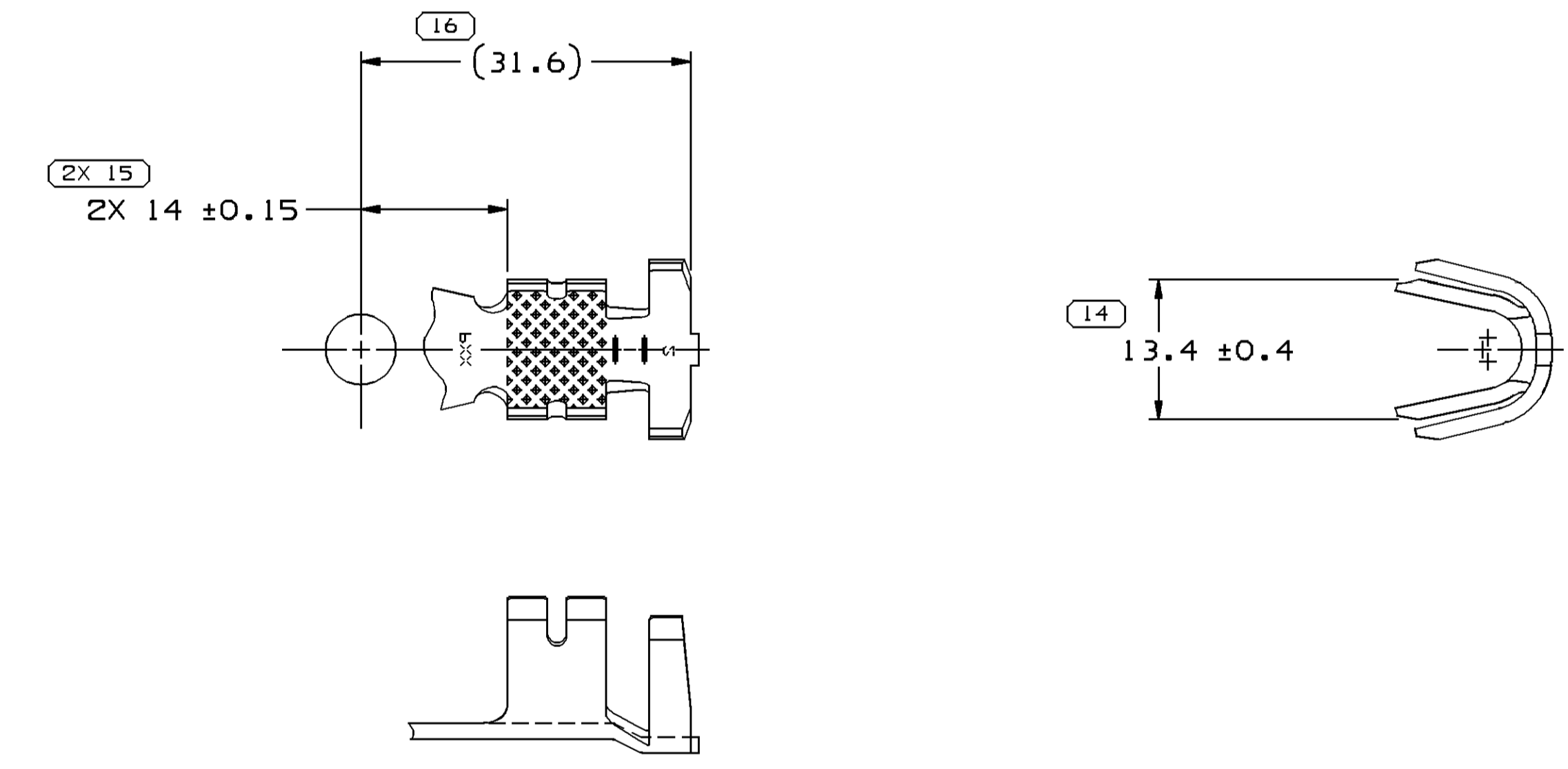
DWG STATUS		ZONE		REVISION HISTORY		AUTH		DATE	
03FE99	R 01	-	-	CLEARED REV COLUMN & 15369369 RELEASED		990005	AAS	AUG	JF
03FE99	R 02	-	-	ALL PARTS - REVISED CHART		192383	AAS	AUG	JF
03FE99	R 03	-	-	15317721, 15317722, 15326165 - OBSOLETE		990003	AAS	AUG	JF
03FE99	R 04	-	-	15355282 - RELEASED		990005	AAS	AUG	JK
30SE99	R 05	-	-	ALL ACTIVE PARTS - REVISED TOLERANCES & PSD		196748	REV	MVA	JF
11FE04	R 06	-	-	ALL PARTS - ADDED BLANK VIEW; ADDED DIM ZK R 7.5 @0.15		251723	ADK	ADK	BS
29AU06	R 07	-	-	13600006 - RELEASED		284098	EPS	AMG	PYP
020C06	R 08	-	-	ADDED DIM (1 PLC) TO TYPE 101		284849	JBD	AUG	CF
08JL10	R 09	-	-	13600006 - OBSOLETE		411315	DMC	DMC	CR
11JA12	R 10	-	-	13936222 - RELEASED		416590	CDL	R6C	CDL
03MR14	R 11	-	-	ALL ACTIVE PARTS - Ø A WAS A, UPDATED "SCREW/STUD SIZE" CHART & COLUMN CALLOUT AND CORRECTED SHT #, 1 OF 5 WAS 1 OF 4		425698	JVR	JVM	LRS



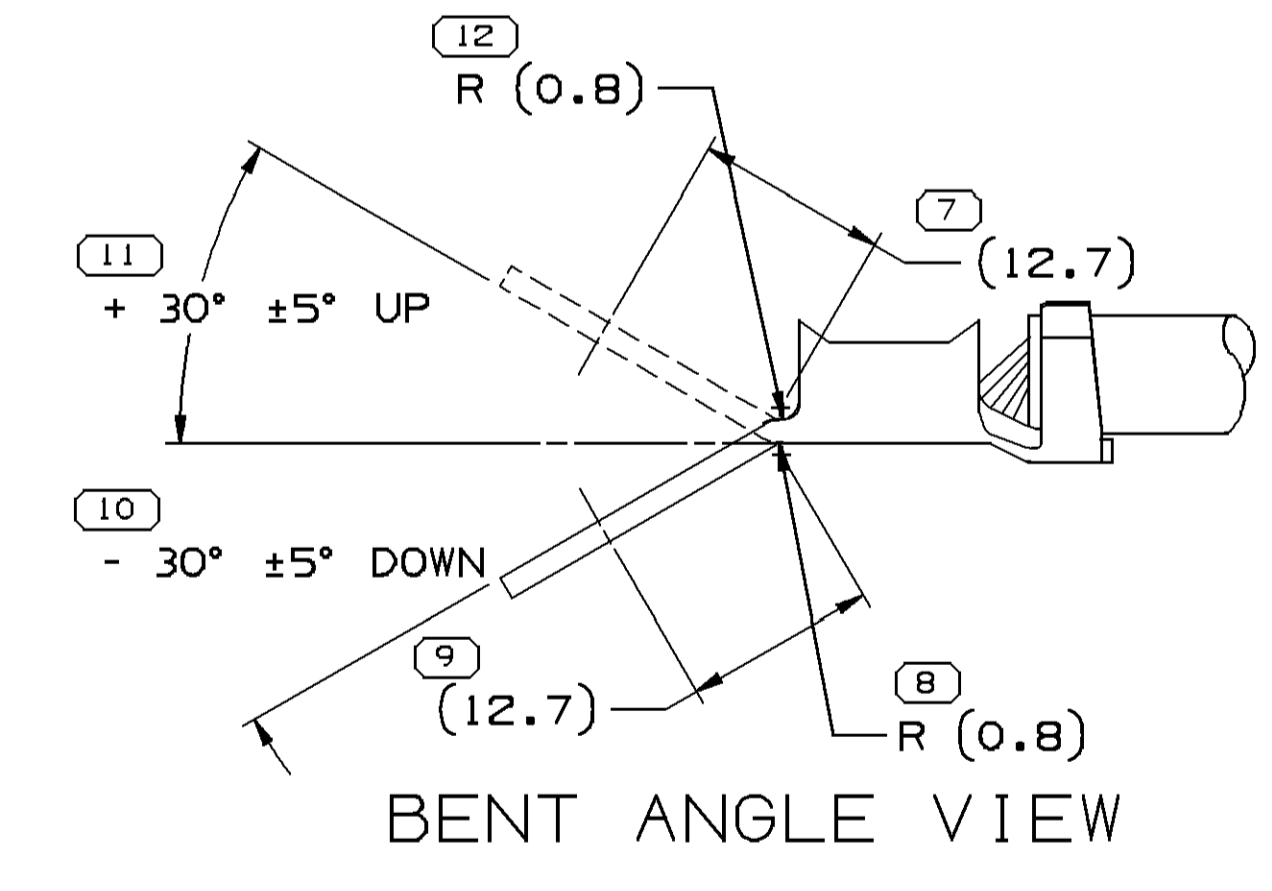
TYPE 111  
SAME AS TYPE 101  
EXCEPT AS SHOWN  
(8 MM<sup>2</sup>)



TYPE 112  
SAME AS TYPE 101  
EXCEPT AS SHOWN  
(13/19 MM<sup>2</sup>)



TYPE 121  
SAME AS TYPE 101  
EXCEPT AS SHOWN  
(32 MM<sup>2</sup>)



BENT ANGLE VIEW

NOTES

- UNLESS OTHERWISE SPECIFIED AND/OR INDICATED: DIMENSIONS ARE TO FACE OF VIEW SHOWN AND AUTOMATICALLY ROUNDED BY COMPUTER FOR INSPECTION. (SEE MATH MODEL FOR PRECISE DIMENSIONS.) FOR ALL OTHER DIMENSIONS NOT SHOWN BUT REQUIRED FOR TOOL BUILD, SEE MATH MODEL FOR PRECISE TOOL PATH DATA.
- "PXX" INDICATES "P" PLUS LAST TWO DIGITS OF MAKE DIE SERIES NUMBER (P01, P02, P03, ETC.).
- FOR ALTERNATIVE CABLE APPLICATIONS, SEE ESA-605
- FOR SOLDERABILITY REQUIREMENTS, SEE ESO-1503
- PART MUST BE FREE FROM BURRS, SHARP EDGES, OILS AND SURFACE CONTAMINATES WHICH MIGHT BE DETRIMENTAL TO SATISFACTORY ASSEMBLY. SAFE HANDLING OR FUNCTION OF PART.

PART NO	REV	N/P	MAT'L	SIZE	CABLE	TYPE	M6	MB	UP	REV	N/P	DOWN	REV	N/P	
13609006	01	AA	1.52	X	28.57	13/19	112	-	-	-	-	-	-	-	
15317722	A3	-	1.52	X	28.57	13/19	101	X	-	-	-	-	-	-	
15317721	A3	-	1.52	X	28.57	13/19	101	-	X	-	-	-	-	-	
15326165	A2	-	1.3	X	21	8	111	X	-	-	-	-	-	-	
12146429	A5	-	1.52	X	33.32	32	121	-	X	-	-	-	-	-	
12146425	A5	-	1.52	X	33.32	32	121	X	-	-	-	-	-	-	
12146366	A5	-	1.52	X	28.57	13/19	101	X	-	15355282	01	AC	15369369	01	AC
12146365	A5	-	1.52	X	28.57	13/19	101	-	X	12191853	A3	-	15317555	A3	-
12146364	A5	-	1.3	X	21	8	111	X	-	-	-	13936222	01	AA	
12146363	A5	-	1.3	X	21	8	111	-	X	-	-	-	-	-	

8.5	5/16	MB
6.7	1/4	M6
Ø A ± 0.13	STANDARD	METRIC
	SCREW/STUD SIZE	

DIMENSIONAL RANGE (MM)		CHART CD
FROM	0	> 12
TO	12	
TOLERANCE UNLESS OTHERWISE SPECIFIED	± 0.1	± 0.2
ANGULAR TOLERANCE	± 0.2	

THIRD ANGLE PROJECTION		DO NOT SCALE
USE MATH DATA		

**DELPHI**  
DELPHI PACKARD ELECTRICAL/ELECTRONIC ARCHITECTURE  
WARREN, OH  
COPYRIGHT 1993 DELPHI CORPORATION AND/OR ITS AFFILIATES. ALL RIGHTS RESERVED.  
THIS DRAWING IS THE PROPERTY OF DELPHI CORPORATION AND CONTAINS DELPHI CONFIDENTIAL INFORMATION. THE REPRODUCTION, DISTRIBUTION AND UTILIZATION OF THIS DOCUMENT OR ITS CONTENTS OR DATA, AS WELL AS COMMUNICATION OF ANY CONTENT TO OTHERS, WITHOUT EXPRESS AUTHORIZATION, IS PROHIBITED.

DWG TYPE: PART DRAWING  
TITLE: TAXI TERM RING BATT  
DRAWING NUMBER: 12146367

DATE: 11-11-94  
SHEET NO: 1 OF 5  
REV: 11

## X-ON Electronics

Largest Supplier of Electrical and Electronic Components

*Click to view similar products for [Automotive Connectors](#) category:*

*Click to view products by [Delphi](#) manufacturer:*

Other Similar products are found below :

[003-018-000](#) [600858](#) [60403001](#) [60993906-B](#) [60993913-B](#) [629515004020001](#) [M902-2131](#) [M902-2161](#) [M902-2344](#) [72.330.1035.1](#)  
[73.353.4028.0](#) [F118010](#) [F119300-B](#) [F132210](#) [F132210-B](#) [F166900](#) [F180100](#) [F258300](#) [F258300-B](#) [F294300-B](#) [F339100](#) [F339700](#) [F358300-](#)  
[B](#) [F374110](#) [F407400](#) [F412210](#) [F427600](#) [F444110](#) [F487000](#) [F495100-B](#) [F500900-B](#) [F509500B-B](#) [770444-1](#) [776880-1](#) [827153-1](#) [881735-1](#)  
[8N1515-32-24P](#) [9-1326727-8](#) [9-1326729-8](#) [925467-1](#) [925474-1](#) [928905-1](#) [936398-2](#) [964562-1](#) [964562-4](#) [964731-2](#) [965051-1](#) [968782-1](#)  
[GT17SA-8DS-HU](#) [GT17VS-10DP-5.2CF](#)