

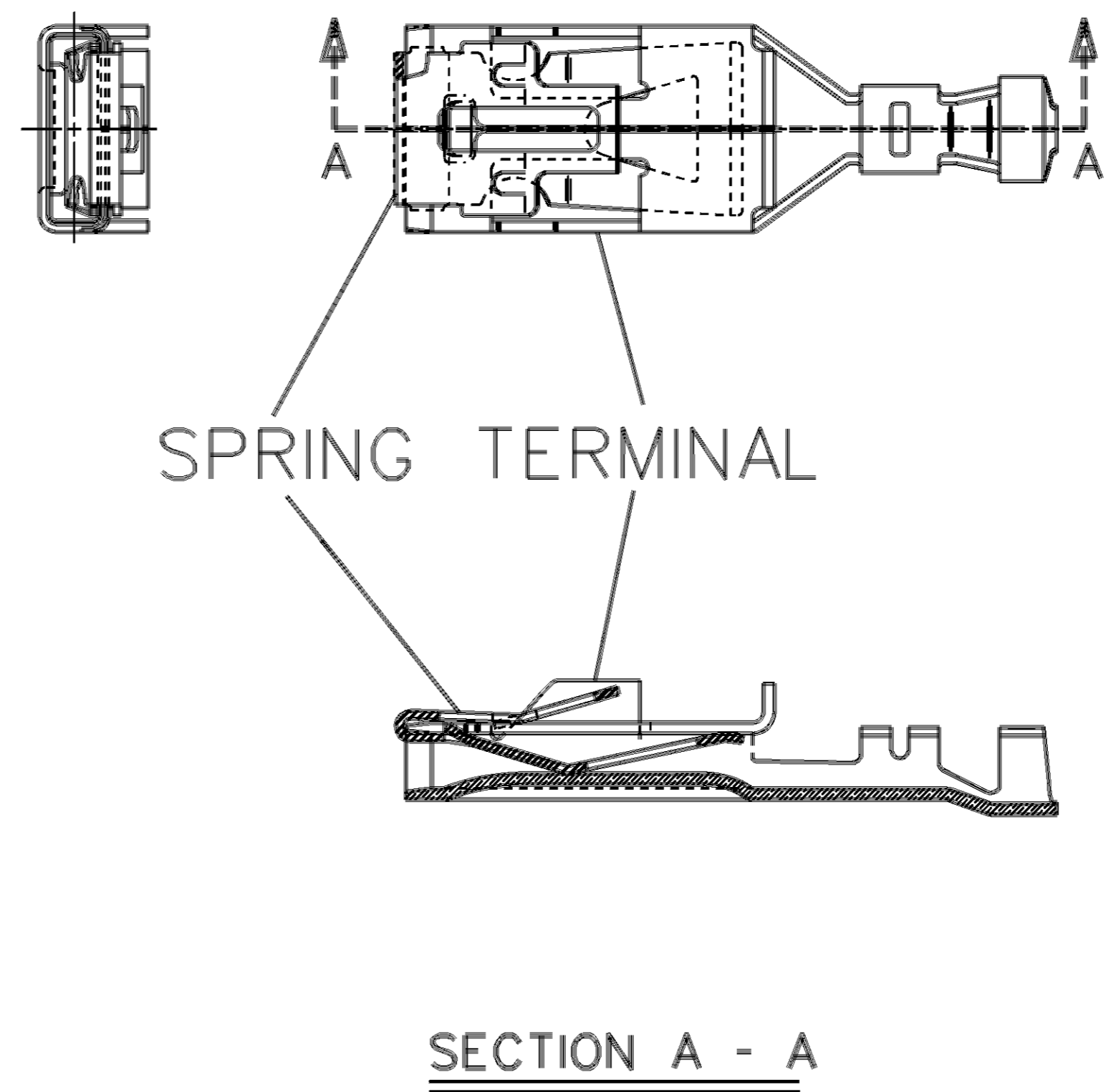
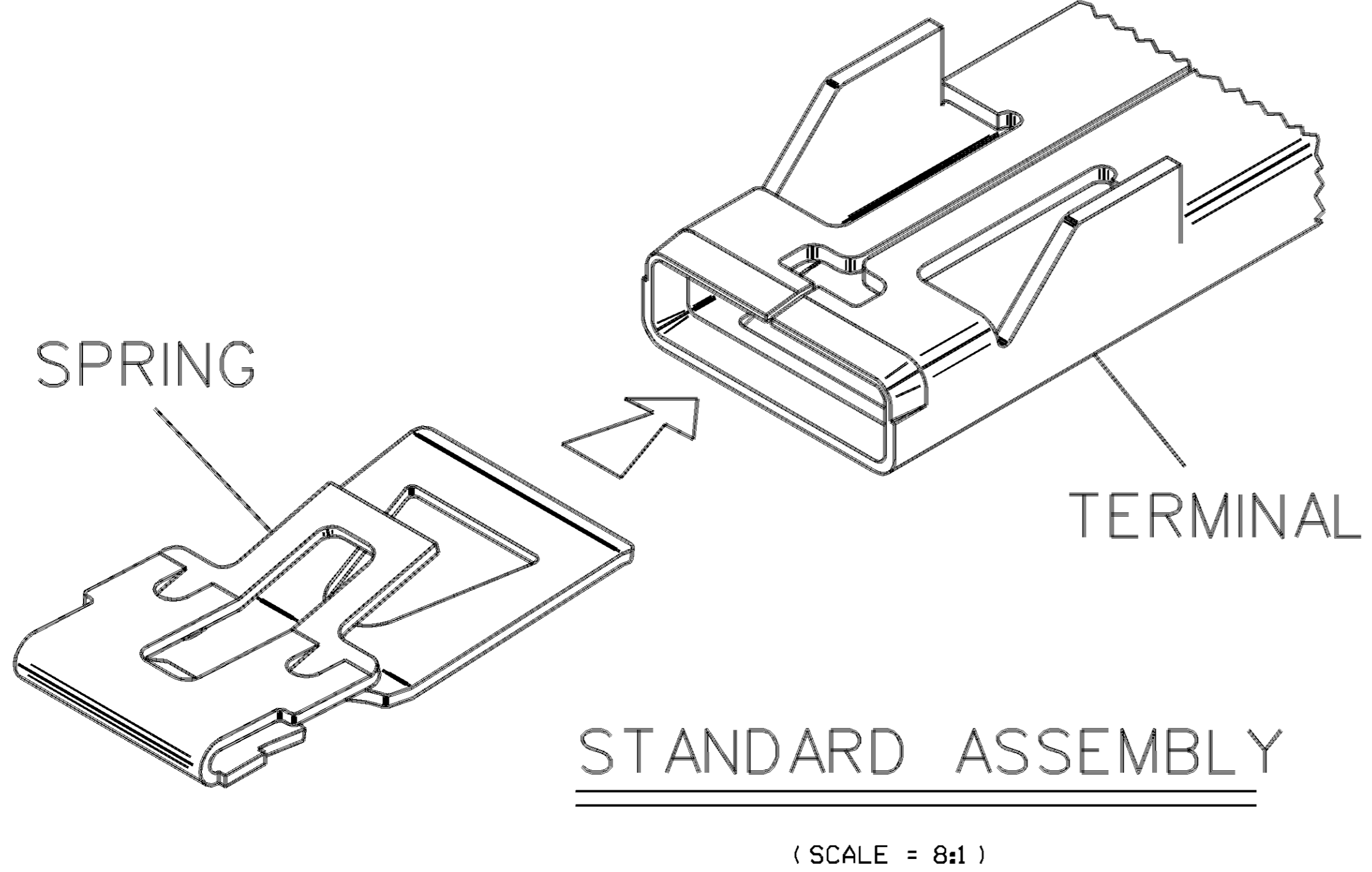
D THIS DRAWING AND DESIGN HEREON CONSTITUTES A PROPRIETARY DESIGN OF PACKARD ELECTRIC DIVISION AND IS NOT TO BE DUPLICATED OR REPRODUCED WITHOUT AUTHORITY OF PACKARD ELECTRIC DIVISION.

DO NOT SCALE

PART NO. 1206 5914

PART NO. 1206 5914

DATE	SYM	REVISION RECORD	AUTHORITY	DR	CK
28MR90		12110164 - RELEASED TO REV 'A'	900005	BARBAR	
12AP90		12110164 - 12065916 WAS			
		12065917, 12065908 WAS			
		12065909; REV LEVEL ADVANCED TO 'B'	134401	SC	



STANDARD CRIMP TERMINAL ASSEMBLY

- NOTES
1. TERMINALS TO BE USED WITH 12065900 FUSE BLOCK OR EQUIVALENT.
  2. TERMINAL ENGAGE 10N TO 35N WHEN MATED TO A 8.00 MM WIDE X 0.81 MM THICK HARDENED STEEL BLADE.
  3. MATING COMPONENT MAXI FUSE 12065938 OR EQUIVALENT.
  4. NO SPECIAL PACKAGING REQUIRED.
  5. RECOVERY NOTE - AFTER INSERTION INTO A 4.30 FUNCTIONAL GAGE, 5.250 MIN. TANG MUST RECOVER TO A MINIMUM OF 5.000.

ASSEMBLY PART NO.	REV.	STATUS	BASIC ASM. PART NO.	DESCRIPTION	SPRING PART NO.	TERMINAL PART NO.
12110164	B		12065916		12065905	12065908

TERMINAL AND SPRING ASSEMBLIES

PIE D/INTERGRAPH MICROSTATION		FILE SPEC: ****USER****	DGN: SPECIFICATION*****		*****SYTIME*****	
THIRD ANGLE PROJECTION			METRIC			
			DIMENSIONS ARE IN MILLIMETERS UNLESS OTHERWISE SPECIFIED.			
CODE NO.		TOLERANCE UNLESS OTHERWISE SPECIFIED		ANGULAR ± 2°		
6900, 6901		ONE PLACE ± 0.30		TWO PLACE ± 0.15		
G.C. - C-5165, -R-5116		DWG. DATE 21JN85		SCALE 4:1	DR. BARBARA RUBERTO 28MR90	
EST. NO.		CHK. B. RUBERTO		DATE 29MR90		
REFERENCE NO.		APPR. AL HERRMANN		DATE 02AP90		
		APPR. R.A. PETROSKY		DATE 02AP90		
MATERIAL SPEC.			SEE DRAWING			
NAME			ASM TERM F MAXI & SPRING (DUMMY)			
PART NO.			1206 5914		SIZE D	
			SHEET 2		1 PACKARD ELECTRIC	

PACKARD ELECTRIC DIVISION  
GENERAL MOTORS CORPORATION  
WARREN, OHIO

H  
G  
F  
E  
D  
C  
B  
A



## X-ON Electronics

Largest Supplier of Electrical and Electronic Components

*Click to view similar products for [Automotive Connectors](#) category:*

*Click to view products by [Delphi](#) manufacturer:*

Other Similar products are found below :

[003-018-000](#) [600858](#) [60403001](#) [60993906-B](#) [60993913-B](#) [629515004020001](#) [M902-2131](#) [M902-2161](#) [M902-2344](#) [72.330.1035.1](#)  
[73.353.4028.0](#) [F118010](#) [F119300-B](#) [F132210](#) [F132210-B](#) [F166900](#) [F180100](#) [F258300](#) [F258300-B](#) [F294300-B](#) [F339100](#) [F339700](#) [F358300-](#)  
[B](#) [F374110](#) [F407400](#) [F412210](#) [F427600](#) [F444110](#) [F487000](#) [F495100-B](#) [F500900-B](#) [F509500B-B](#) [770444-1](#) [776880-1](#) [827153-1](#) [881735-1](#)  
[8N1515-32-24P](#) [9-1326727-8](#) [9-1326729-8](#) [925467-1](#) [925474-1](#) [928905-1](#) [936398-2](#) [964562-1](#) [964562-4](#) [964731-2](#) [965051-1](#) [968782-1](#)  
[GT17SA-8DS-HU](#) [GT17VS-10DP-5.2CF](#)