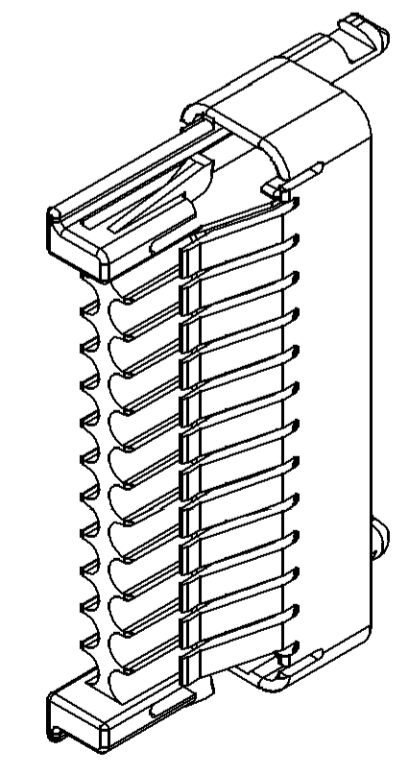
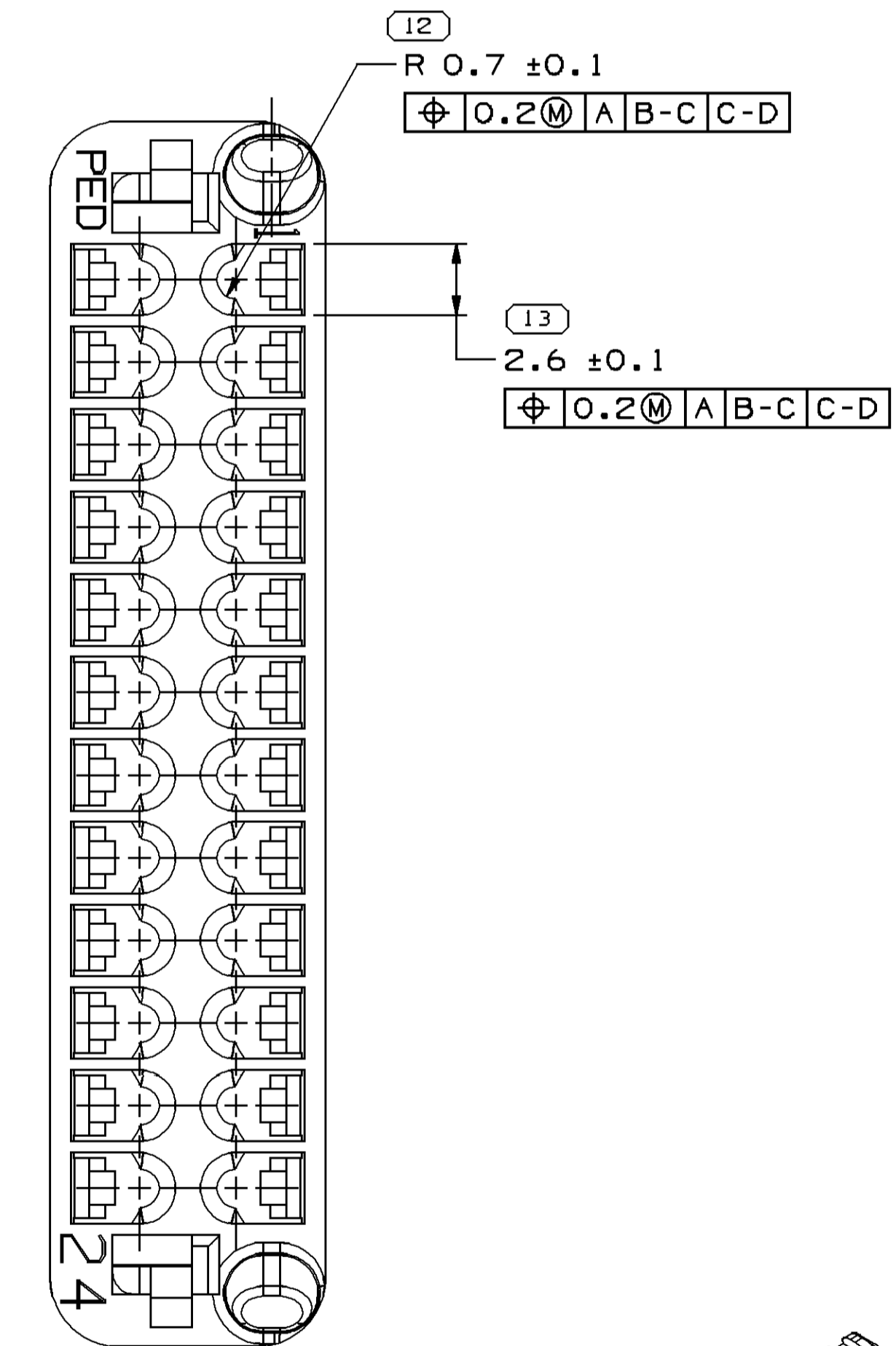
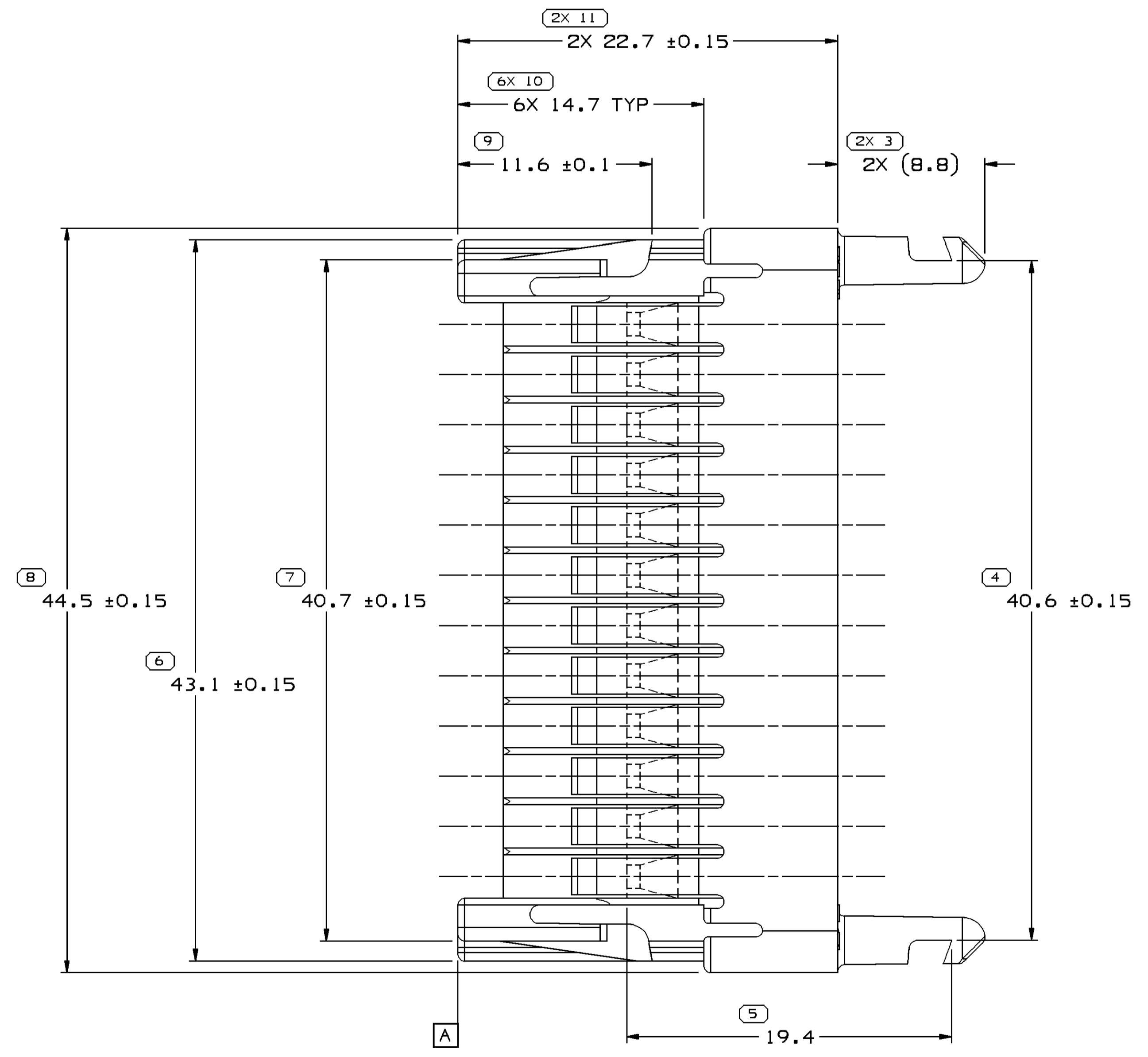
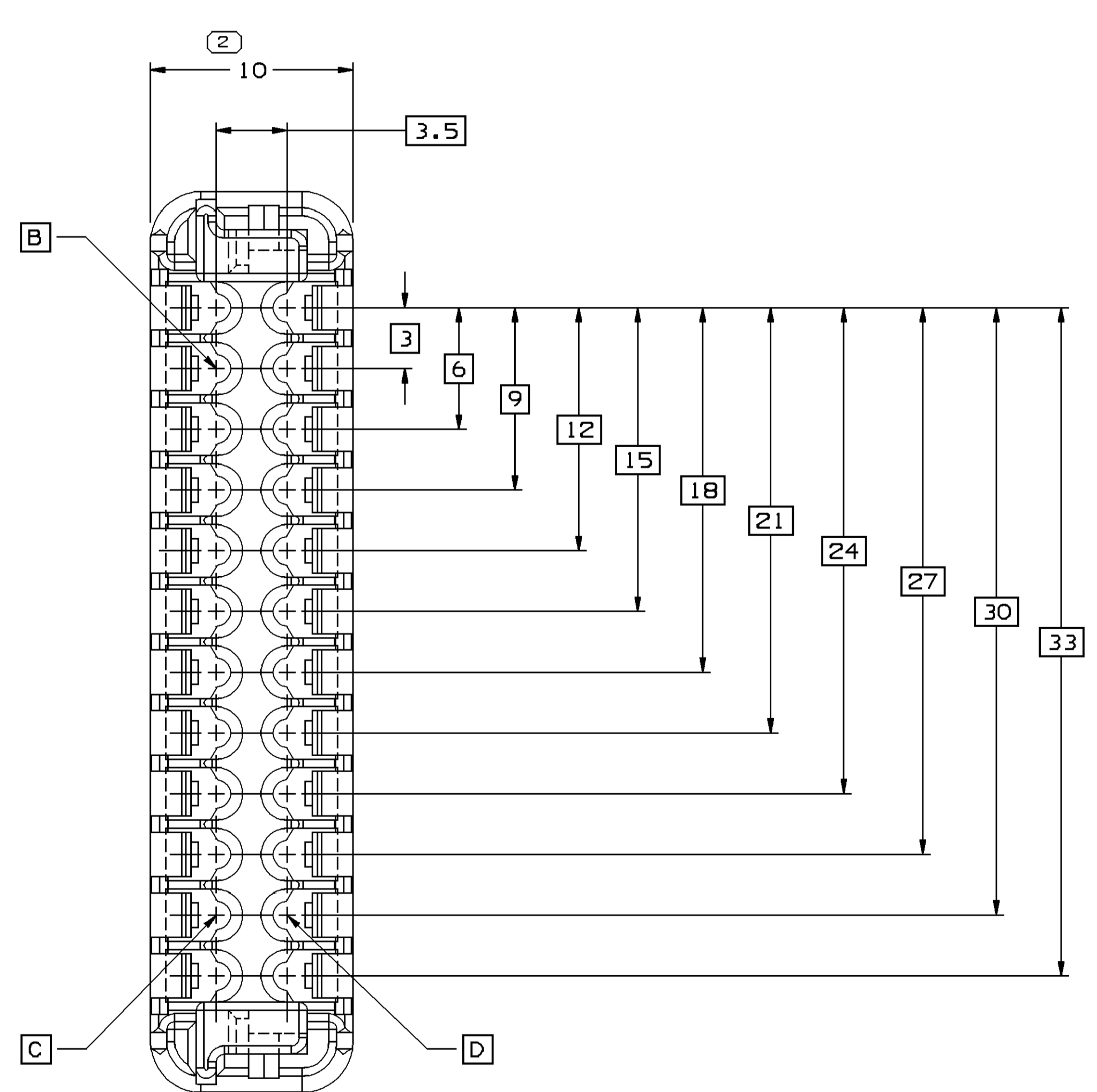
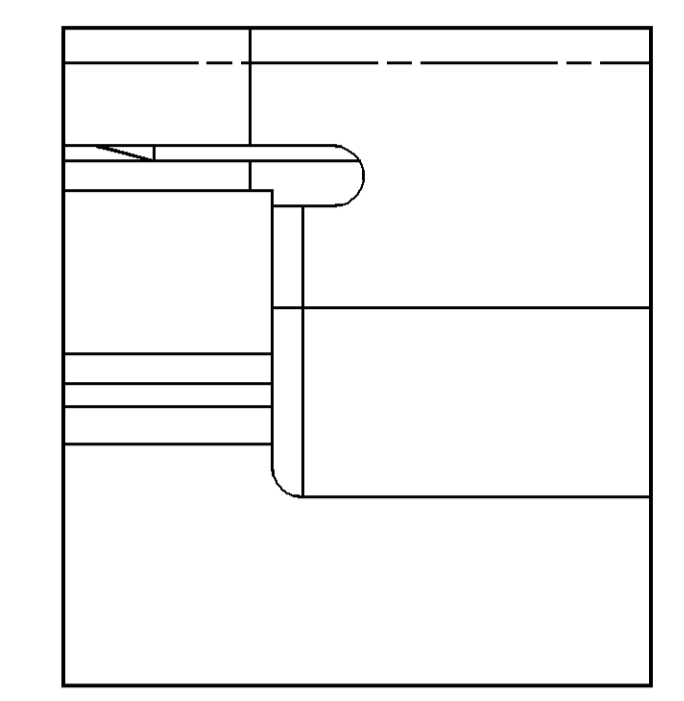
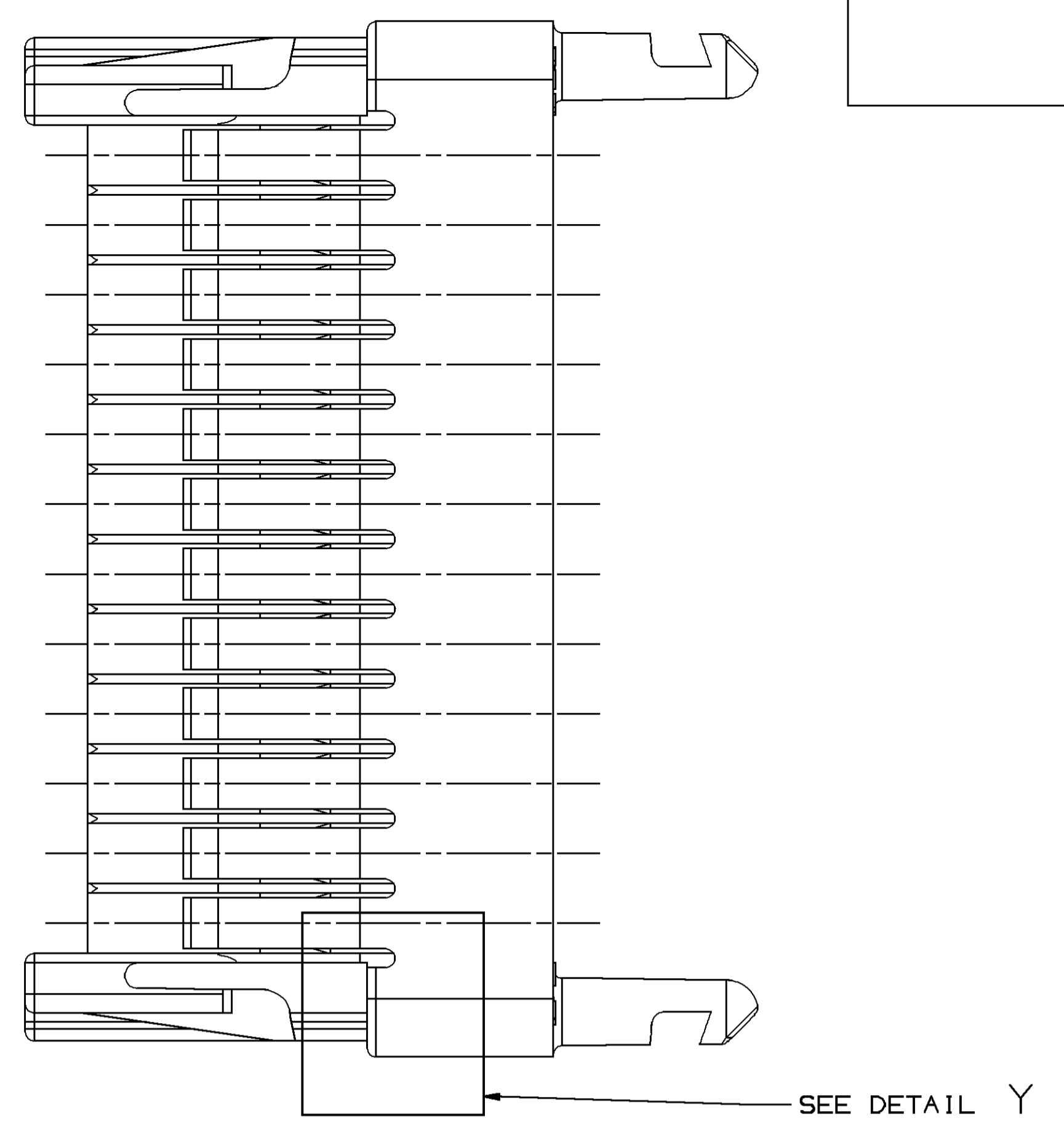
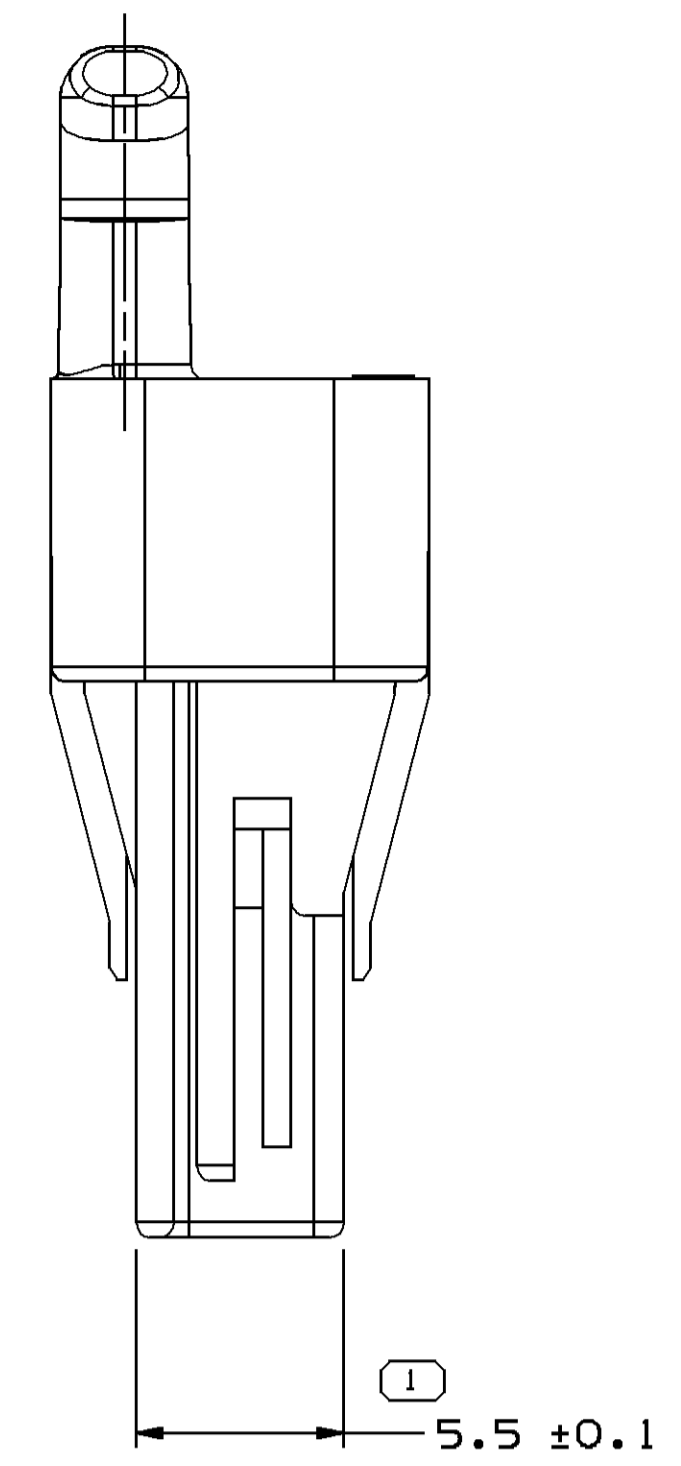


SYMBOL DEFINITION		MISSING SYMBOLS	
A DIMENSION WITHOUT AN INSPECTION REPORT SYMBOL DOES NOT REQUIRE INSPECTION. IT MAY BE CONTROLLED ON THE INDIVIDUAL COMPONENT DRAWING.		TOTAL NO OF INSPECTIONS REQUIRED	20
		LAST NO. USED	13

DWG STATUS				REVISION HISTORY				AUTH	
DATE	STG	REV	N/P	CHG	ZONE			DR	AP/VD
31M105	R	06	-	-		CLEARED REV COLUMN, REDRAWN TO PD AND MAT'L SPEC WAS R0100233		268583	RTV/JAA
05A009	R	07	-	-		ADDED "MATING CONFIGURATION" NOTE		408246	JRL/JVM/MGC



- NOTES
- UNLESS OTHERWISE SPECIFIED AND/OR INDICATED:  
DIMENSIONS ARE TO FACE OF VIEW SHOWN AND AUTOMATICALLY ROUNDED BY COMPUTER FOR INSPECTION (SEE MATH MODEL FOR PRECISE DIMENSIONS). FOR ALL OTHER DIMENSIONS NOT SHOWN BUT REQUIRED FOR TOOL BUILD, SEE MATH MODEL FOR PRECISE TOOL PATH DATA.
  - THIS PRODUCT IS NOT CATEGORIZED AS AN APPEARANCE ITEM, MINOR IMPERFECTIONS INCLUDING, BUT NOT LIMITED TO, FLOW MARKS, COLOR BLEMISHES, GATE VESTIGE, AND SOFT FLASH THAT DO NOT AFFECT THE FIT, FORM, OR FUNCTION OF THE PART ARE PERMISSIBLE PER DPNP-4.7-CS-01.
  - MATERIAL RECYCLING CODE PER ISO 11469. ((1X(0.1)) CHARACTERS AS SHOWN TO BE LOCATED ON ANY EXTERIOR SURFACE. OPTIONAL CONSTRUCTION TO BE NO MATERIAL RECYCLING CODE.
  - ((1X(0.1)) RAISED DELPHI CORPORATE BRAND TO BE LOCATED ON ANY EXTERIOR SURFACE, PREFERABLY VISIBLE AT FINAL ASSEMBLY. OPTIONAL CONSTRUCTION FOR EXISTING TOOLING MAY BE "PED" OR NO LOGO.
  - FOR MATING CONFIGURATION REQUIREMENTS, SEE TAXI RETAINER NUMBER 12191020.
  - FOR APPLICATION DATA SEE THE APPLICATION DRAWING.

PART DRAWING		
DR TYPE	3.164	
DR	D	
UNLESS OTHERWISE SPECIFIED		
THIS DOCUMENT IS IN ACCORDANCE WITH ASME Y14.5M-1994 AS MODIFIED BY THE IN-SPEC DIMENSIONING AND TOLERANCING ADDENDUM-2009. SEPARATE WRITINGS OF FEATURES MAY BE BASED SEPARATELY PER ISO 10470:1 REFERENCES.		
ALL DIMENSIONS ARE IN MILLIMETERS		
REFERENCE	12110152	
DIMENSIONAL RANGE (MM)		
FROM	TO	SHORT ET
> 0	> 30	> 100
> 30	> 70	> 150
> 70	> 100	> 200
> 100	> 150	> 250
> 150	> 200	> 300
> 200	> 250	> 300
> 250	> 300	> 400
TOLERANCE UNLESS OTHERWISE SPECIFIED		
±0.15	±0.2	±0.3
±0.4	±0.5	±0.6
±0.8	±1	±1.2
ANGULAR TOLERANCE 2°		
THIRD ANGLE PROJECTION		DO NOT SCALE
USE MATH DATA		USE MATH DATA

DELPHI					
DELPHI PACKARD ELECTRICAL/ELECTRONIC ARCHITECTURE					
NAPER, OH					
DR	DATE				
APV01 J. COLDSNOW	26JN91				
APV02 J. COLDSNOW	26JN91				
APV03 CHRIS REIDER	26JN91				
APV04					
SUBSTANCES OF CONCERN AND RECYCLED CONTENT PER DELPHI 10947001					
MATERIAL W4695001 PBT NAT					
DRAWING NAME					
CONN 24 F MIC/P 100W SLD					
DRAWING NUMBER					
12129225					
SCALE	FRM NO	SHEET NO	STG	REV	N/P
A0	5:1	1 OF 1	1 OF 1	R	07

## X-ON Electronics

Largest Supplier of Electrical and Electronic Components

*Click to view similar products for [Automotive Connectors](#) category:*

*Click to view products by [Delphi](#) manufacturer:*

Other Similar products are found below :

[003-018-000](#) [600858](#) [60403001](#) [60993906-B](#) [60993913-B](#) [629515004020001](#) [M902-2131](#) [M902-2161](#) [M902-2344](#) [72.330.1035.1](#)  
[73.353.4028.0](#) [F118010](#) [F119300-B](#) [F132210](#) [F132210-B](#) [F166900](#) [F180100](#) [F258300](#) [F258300-B](#) [F294300-B](#) [F339100](#) [F339700](#) [F358300-](#)  
[B](#) [F374110](#) [F407400](#) [F412210](#) [F427600](#) [F444110](#) [F487000](#) [F495100-B](#) [F500900-B](#) [F509500B-B](#) [770444-1](#) [776880-1](#) [827153-1](#) [881735-1](#)  
[8N1515-32-24P](#) [9-1326727-8](#) [9-1326729-8](#) [925467-1](#) [925474-1](#) [928905-1](#) [936398-2](#) [964562-1](#) [964562-4](#) [964731-2](#) [965051-1](#) [968782-1](#)  
[GT17SA-8DS-HU](#) [GT17VS-10DP-5.2CF](#)