

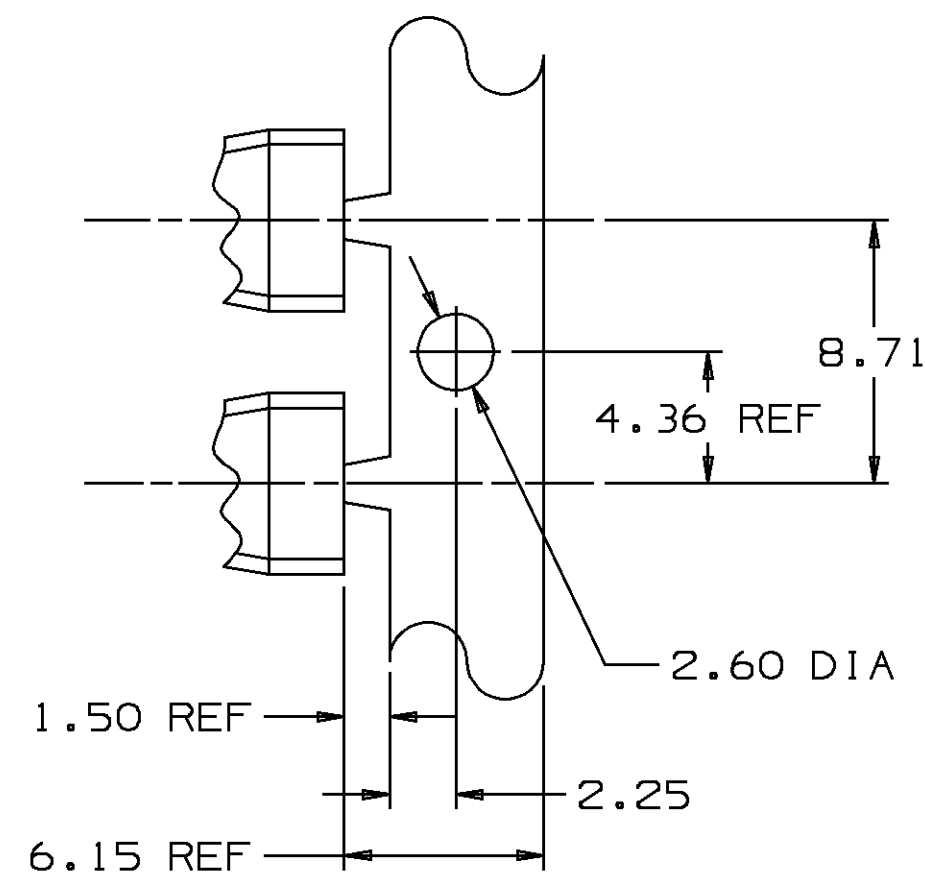
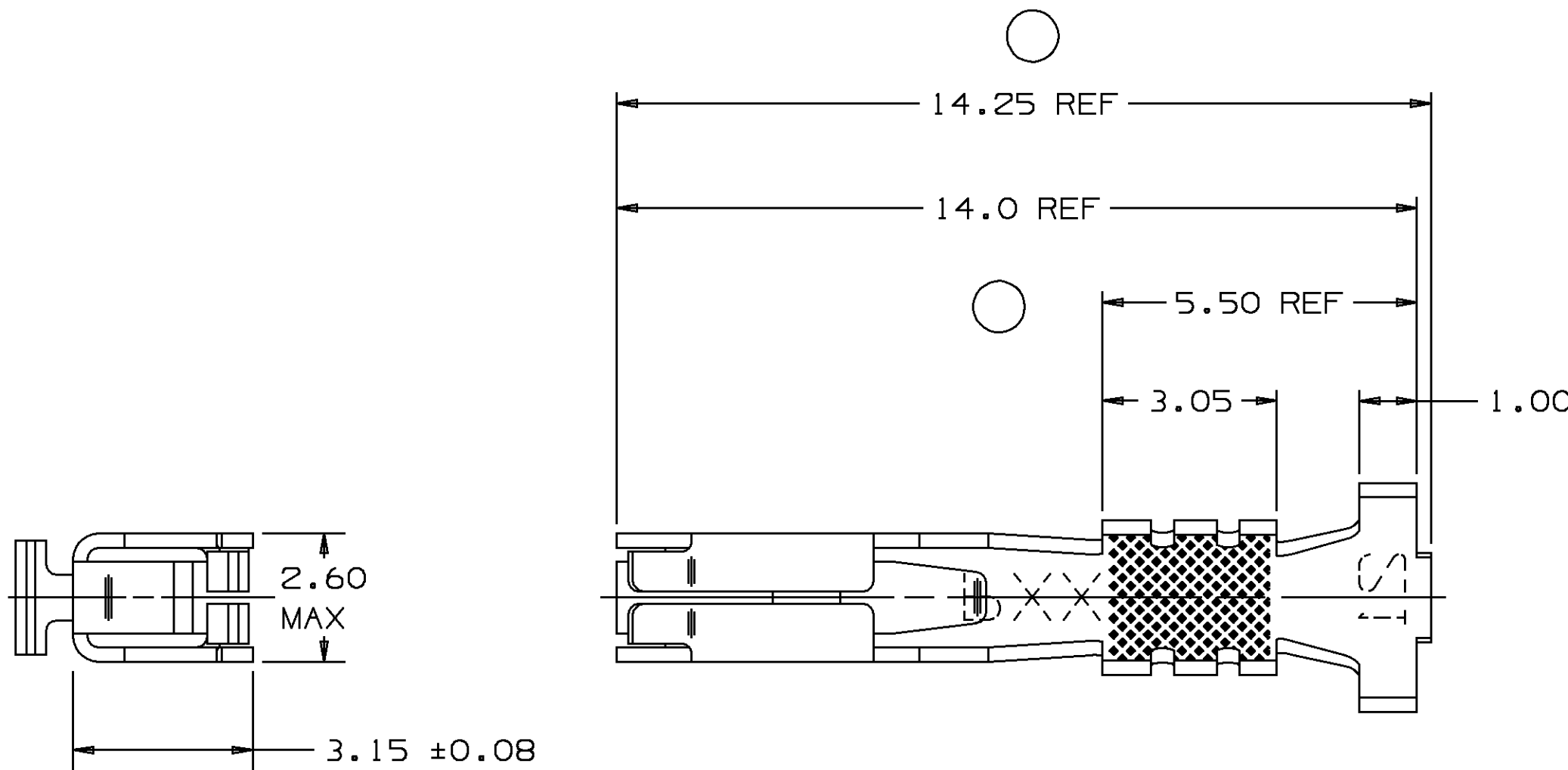
THIS DRAWING AND DESIGN HEREON CONSTITUTES A PROPRIETARY DESIGN OF PACKARD ELECTRIC DIVISION AND IS NOT TO BE DUPLICATED OR REPRODUCED WITHOUT AUTHORITY OF PACKARD ELECTRIC DIVISION

DO NOT SCALE

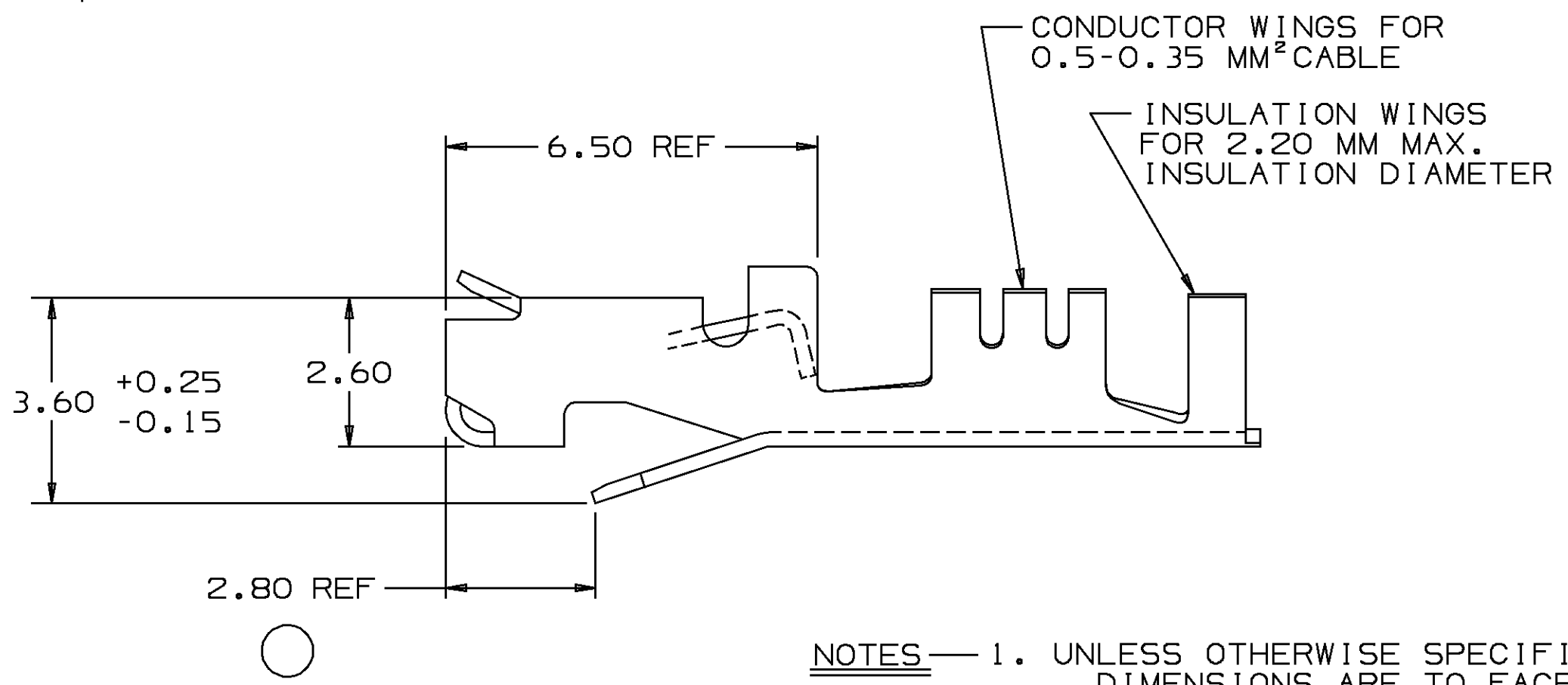
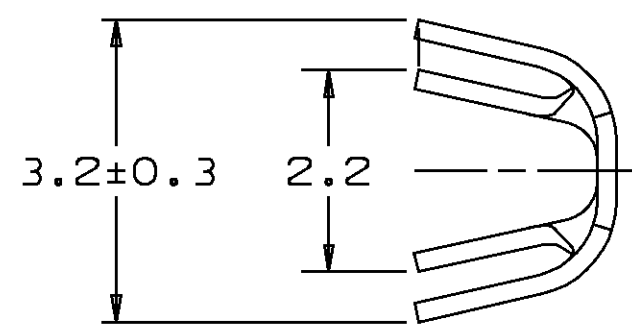
PACKARD ELECTRIC DIVISION
GENERAL MOTORS CORPORATION
WARREN, OHIO

PART NO
1208 9290

DATE	SYM	REVISION RECORD	AUTH	DR	CK
24SE92		REDRAWN AND UPDATED TO LATEST STANDARDS			
		REV LEVEL REMAINS AT "C"	920007	JK	JC
24FE93		REDRAWN AND REVISED			
		REV LEVEL REMAINS AT "C"	154464	DE	DE
07AP93		REVISED GRAPHICS -			
		REV LEVEL REMAINS AT "C"	155245	DE	DE
09N094		DRAWING REVISED PER CUSTOMER REQUEST;			
		REV LEVEL REMAINS AT "C"	164566	JVM	SMP
25MR96	D	REVISED	171061	JGS	JGS
21JN96		REVISED - REV LEVEL REMAINS AT "D"	173815	MRG	RPC



CARRIER STRIP
SCALE 4:1



- NOTES —
- UNLESS OTHERWISE SPECIFIED AND/OR INDICATED: DIMENSIONS ARE TO FACE OF VIEW SHOWN AND AUTOMATICALLY ROUNDED BY COMPUTER FOR INSPECTION. (SEE MATH MODEL FOR PRECISE DIMENSION)
 - DIMENSIONS MARKED "REF" ARE FOR REFERENCE ONLY AND NO TOLERANCE LIMITS ARE ESTABLISHED.
 - ENGAGE : 3-10N
DESENGAGE : 1.5-8N
 - REFERENCE PACKARD GAGE # G-8261

PART NO
1208 9290

		METRIC DIMENSIONS ARE IN MILLIMETERS UNLESS OTHERWISE SPECIFIED	
THIRD ANGLE PROJECTION 		TOLERANCE UNLESS OTHERWISE SPECIFIED DECIMAL: ANGULAR ±1°30'	
CODE NO 6900 6901	QC	ONE PLACE ±0.2 TWO PLACE ±0.10	DES JOSEPH E HOUGELMAN 30SE88
DWG DATE 30SE88	DR JOSEPH SUDIK 140C88	CK GARY SMALDINO 170C88	APPR
SCALE NONE	REFERENCE NO 12020717 "A0" SIZE	VOL CM ³	
MATERIAL SPEC 0.254 THK SILICON BRONZE - TIN PLATED			
NAME TERM F M/P 150 SER P2S			
PART NUMBER 1208 9290			SIZE A2
OUTLINE DRAWING			

X-ON Electronics

Largest Supplier of Electrical and Electronic Components

Click to view similar products for [Automotive Connectors](#) category:

Click to view products by [Delphi](#) manufacturer:

Other Similar products are found below :

[003-018-000](#) [600858](#) [60403001](#) [60993906-B](#) [60993913-B](#) [629515004020001](#) [M902-2131](#) [M902-2161](#) [M902-2344](#) [72.330.1035.1](#)
[73.353.4028.0](#) [F118010](#) [F119300-B](#) [F132210](#) [F132210-B](#) [F166900](#) [F180100](#) [F258300](#) [F258300-B](#) [F294300-B](#) [F339100](#) [F339700](#) [F358300-](#)
[B](#) [F374110](#) [F407400](#) [F412210](#) [F427600](#) [F444110](#) [F487000](#) [F495100-B](#) [F500900-B](#) [F509500B-B](#) [770444-1](#) [776880-1](#) [827153-1](#) [881735-1](#)
[8N1515-32-24P](#) [9-1326727-8](#) [9-1326729-8](#) [925467-1](#) [925474-1](#) [928905-1](#) [936398-2](#) [964562-1](#) [964562-4](#) [964731-2](#) [965051-1](#) [968782-1](#)
[GT17SA-8DS-HU](#) [GT17VS-10DP-5.2CF](#)