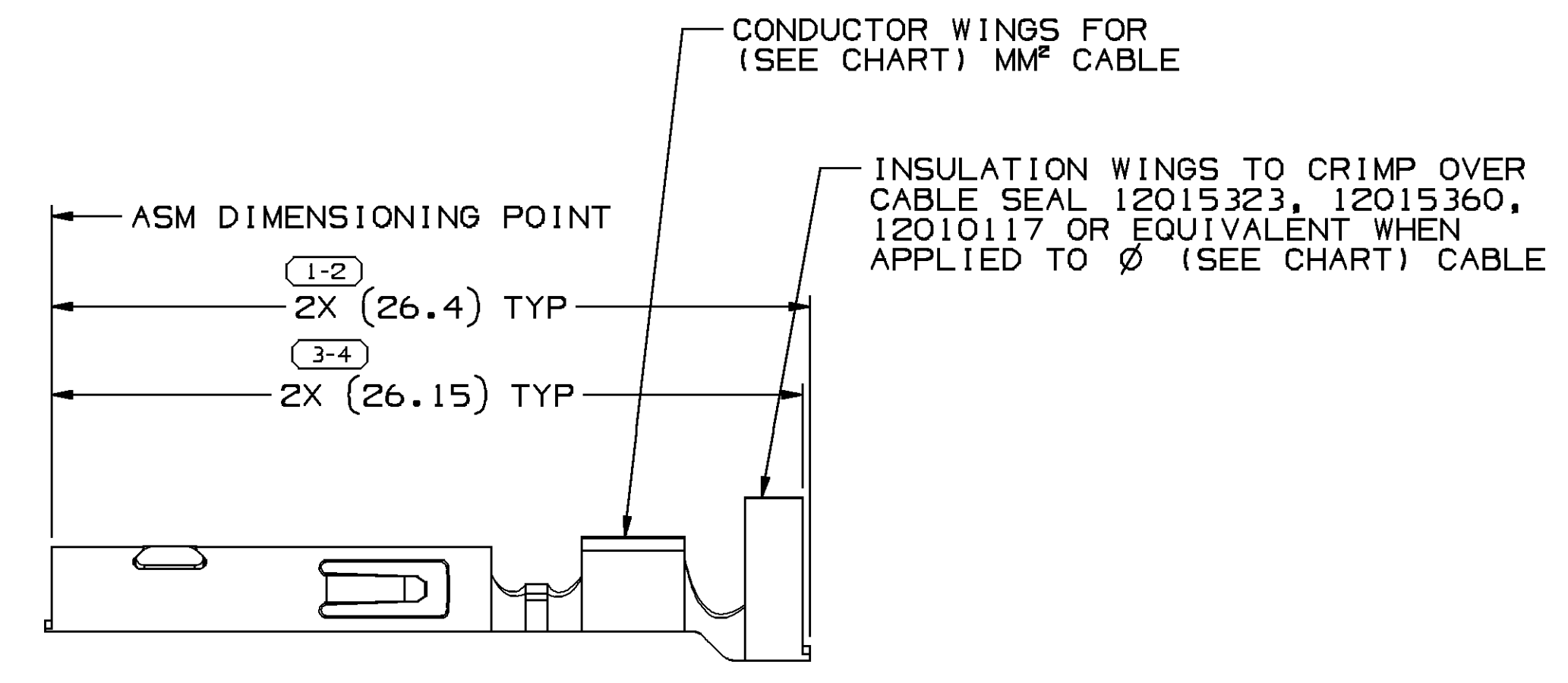
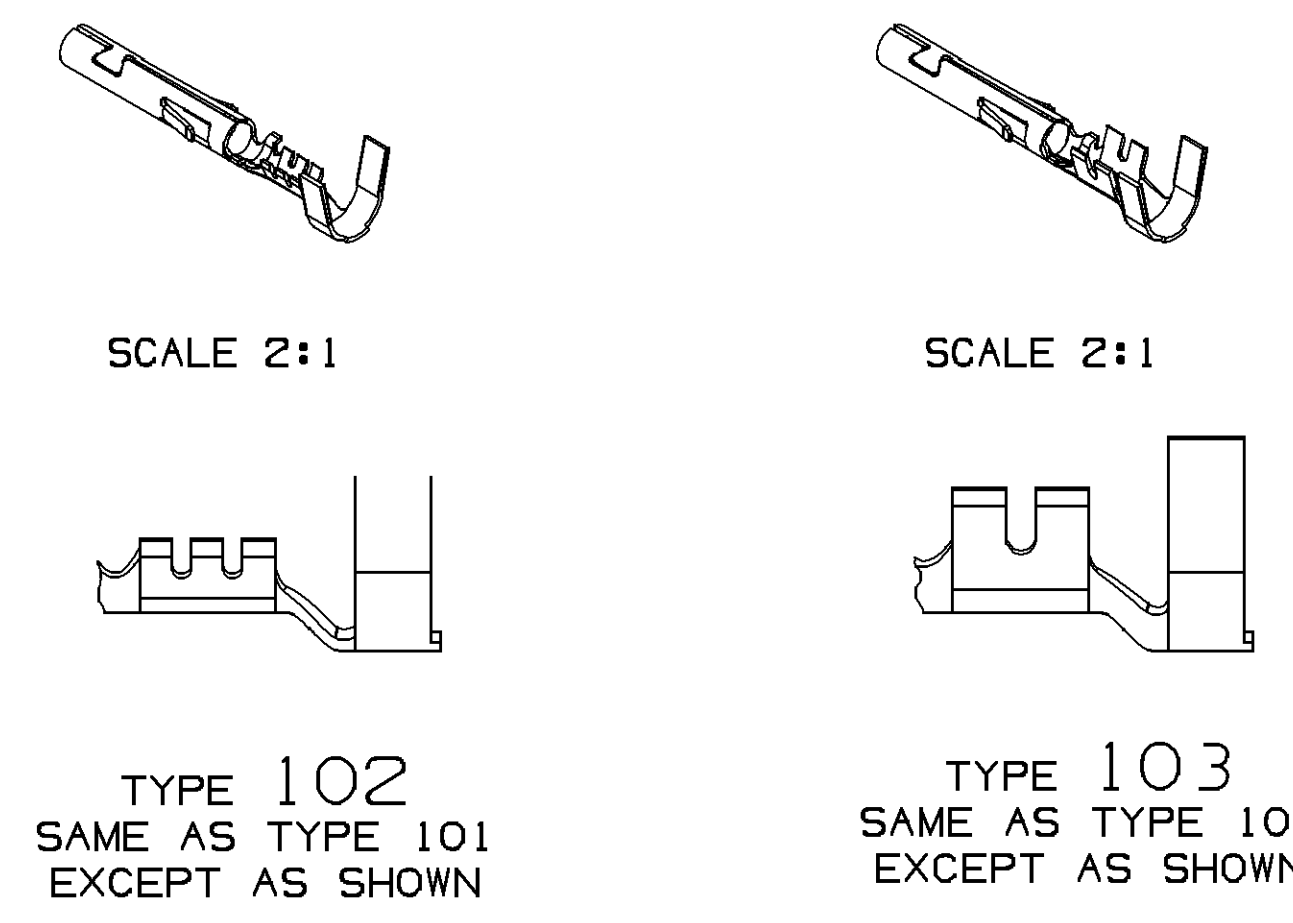
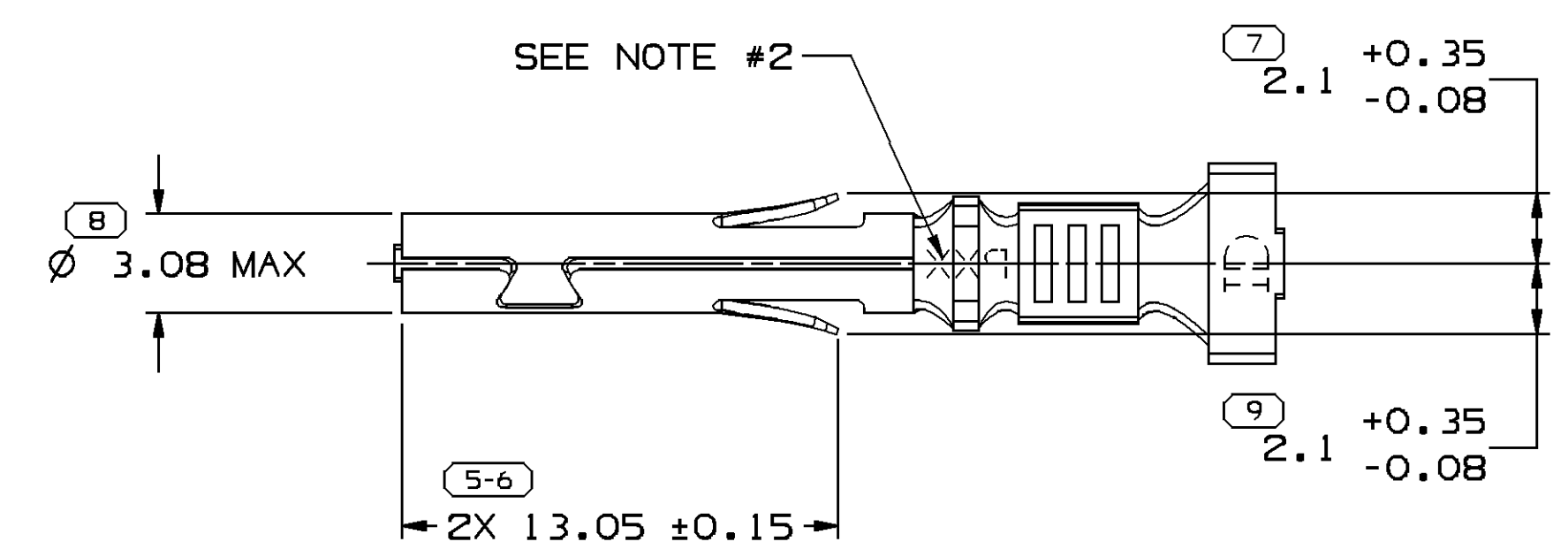


| SYMBOL DEFINITION | | MISSING NUMBERS | |
|--|---------------------------------|-----------------|--|
| A DIMENSION WITHOUT AN INSPECTION REPORT SYMBOL DOES NOT REQUIRE INSPECTION. IT MAY BE CONTROLLED ON AN INDIVIDUAL COMPONENT DRAWING. | TOTAL NO. OF SYMBOLS ON DRAWING | 7 | |
| | LAST NO. USED | 10 | |

| DWG STATUS | | | | REVISION HISTORY | | | | AUTH | DR | APVD1 | APVD2 | | |
|------------|-----|-----|-----|------------------|------|--|--|------|----|--------|-------|-----|-----|
| DATE | STG | REV | N/P | CHG | ZONE | | | | | | | | |
| 08AP99 | R | 01 | - | - | | ALL PARTS - WERE SEPARATE "B" SIZE DWG AND REVISED | | | | 188844 | PHC | AUG | 06 |
| 08NO01 | R | 02 | - | - | | 12089188 - UPDATED PDM ATTRIBUTES | | | | 215045 | MRL | MRL | DLB |
| 18AU03 | R | 03 | - | - | | 12020801, 12089188 & 12124580 - REVISED GRAPHICS | | | | 244852 | ECB | AUG | JMP |
| 23JA07 | R | 04 | - | - | | ALL ACTIVE PARTS - UPDATED PDM ATTRIBUTES | | | | 400088 | JBD | AUG | EJH |



TYPE 101

- NOTES
- UNLESS OTHERWISE SPECIFIED AND/OR INDICATED: DIMENSIONS ARE TO FACE OF VIEW SHOWN AND AUTOMATICALLY ROUNDED BY COMPUTER FOR INSPECTION. (SEE MATH MODEL FOR PRECISE DIMENSIONS.) FOR ALL OTHER DIMENSIONS NOT SHOWN BUT REQUIRED FOR TOOL BUILD, SEE MATH MODEL FOR PRECISE TOOL PATH DATA.
 - "PXX" INDICATES "P" PLUS LAST TWO DIGITS OF MAKE DIE SERIES NUMBER (P01, P02, P03, ETC.).
 - TERMINAL DESIGNED FOR 3 MM² CABLE. TERMINAL IS RATED AT 20 AMPERES. -DO NOT EXCEED RATED CURRENT.

APPLICATION NOTE:
THESE TERMINALS DESIGNED FOR USE IN WEATHER PACK TOWER CONNECTORS WITH STABILIZERS LOCATED AT 11.25MM FROM THE LOCK SHOULDER.

| PART NO | STG | REV | N/P | STATUS | MAT'L SIZE | MAT'L SPEC | CABLE SIZE (MM²) | MAX CABLE Ø | ID TYPE | E±0.4 | |
|----------|-----|-----|-----|----------|------------|------------------------------------|------------------|-------------|---------|-------|-----|
| 12124581 | R | B2 | - | | 0.32X35.33 | P1519358 425 TIN BRS EX HD SN PLTD | SEE NOTE #3 | 3.96 | 11 | 103 | 4.6 |
| 12124580 | R | 02 | AC | | 0.32X35.33 | P1519358 425 TIN BRS EX HD SN PLTD | 2 - 1 | 3.96 | 15 | 103 | 3.6 |
| 12089188 | R | A3 | - | | 0.32X35.33 | P1519358 425 TIN BRS EX HD SN PLTD | 0.8 - 0.5 | 3.11 | 19 | 102 | 3 |
| 12034051 | R | B7 | - | OBSOLETE | 0.32X35.33 | P1519358 425 TIN BRS EX HD SN PLTD | 0.8 - 0.5 | 3.11 | 19 | 102 | 3 |
| 12020801 | R | C5 | - | | 0.32X35.33 | P1519358 425 TIN BRS EX HD SN PLTD | 0.35 | 1.86 | 22 | 102 | 2.2 |
| 12015917 | R | Ø1 | - | OBSOLETE | 0.32X35.33 | P1519358 425 TIN BRS EX HD SN PLTD | SEE NOTE #3 | 3.96 | 11 | 101 | 4.6 |
| 12010183 | R | P8 | - | OBSOLETE | 0.32X35.33 | P1519358 425 TIN BRS EX HD SN PLTD | 0.8 - 0.5 | 3.11 | 19 | 101 | 3 |
| 12010182 | R | P8 | - | OBSOLETE | 0.32X35.33 | P1519358 425 TIN BRS EX HD SN PLTD | 2 - 1 | 3.96 | 15 | 101 | 3.6 |

| | |
|--|-----------|
| Ø PROCESS SENSITIVE DIMENSION | |
| DIMENSIONS ENCLOSED IN () INDICATE REFERENCE DIMENSIONS AND NO TOLERANCE LIMITS ARE ESTABLISHED | |
| DIMENSIONAL RANGE (MM) | CHART 'D' |
| FROM 0 TO 12 | > 12 |
| TOLERANCE UNLESS OTHERWISE SPECIFIED | |
| ±0.1 | ±0.2 |
| ANGULAR TOLERANCE ±2° | |

| | |
|--|--------------|
| DWG TYPE PART DRAWING | |
| STYLE | |
| VOLUME (C/P) | DISTR CODE |
| UNLESS OTHERWISE SPECIFIED | |
| THIS DOCUMENT IS IN ACCORDANCE WITH ASME Y14.5M-1994 AS AMENDED BY THE 2001 GLOBAL DIMENSIONING AND TOLERANCING ADDENDUM-2001. SEPARATE PATTERNS OF FEATURES MAY BE GAGED SEPARATELY REGARDLESS OF DATUM REFERENCES. | |
| ALL DIMENSIONS ARE IN MILLIMETERS | |
| THIRD ANGLE PROJECTION | DO NOT SCALE |
| USE MATH DATA | UNIGRAPHICS |

DELPHI

DELPHI PACKARD ELECTRIC SYSTEMS
WARREN, OH

| | |
|--|--------------------|
| DR | DATE |
| APVD1 P H CASTRILLON | 08AP99 |
| APVD2 A UGALDE G | 15AP99 |
| APVD3 G ORANTES | 15AP99 |
| APVD4 | |
| APVD5 | |
| SUBSTANCES OF CONCERN AND RECYCLED CONTENT PER DELPHI 10949001 | |
| MATERIAL SEE CHART | |
| DRAWING NAME TAXI TERM F W/P SEALED | |
| DRAWING NUMBER 12010184 | |
| SIZE A1 | SCALE 5:1 |
| FRAME NO 1 OF 1 | SHEET NO 1 OF 3 |
| STG R | REV 04 |
| N/P | |

X-ON Electronics

Largest Supplier of Electrical and Electronic Components

Click to view similar products for [Automotive Connectors](#) category:

Click to view products by [Delphi](#) manufacturer:

Other Similar products are found below :

[003-018-000](#) [600858](#) [60403001](#) [60993906-B](#) [60993913-B](#) [629515004020001](#) [M902-2131](#) [M902-2161](#) [M902-2344](#) [72.330.1035.1](#)
[73.353.4028.0](#) [F118010](#) [F119300-B](#) [F132210](#) [F132210-B](#) [F166900](#) [F180100](#) [F258300](#) [F258300-B](#) [F294300-B](#) [F339100](#) [F339700](#) [F358300-](#)
[B](#) [F374110](#) [F407400](#) [F412210](#) [F427600](#) [F444110](#) [F487000](#) [F495100-B](#) [F500900-B](#) [F509500B-B](#) [770444-1](#) [776880-1](#) [827153-1](#) [881735-1](#)
[8N1515-32-24P](#) [9-1326727-8](#) [9-1326729-8](#) [925467-1](#) [925474-1](#) [928905-1](#) [936398-2](#) [964562-1](#) [964562-4](#) [964731-2](#) [965051-1](#) [968782-1](#)
[GT17SA-8DS-HU](#) [GT17VS-10DP-5.2CF](#)