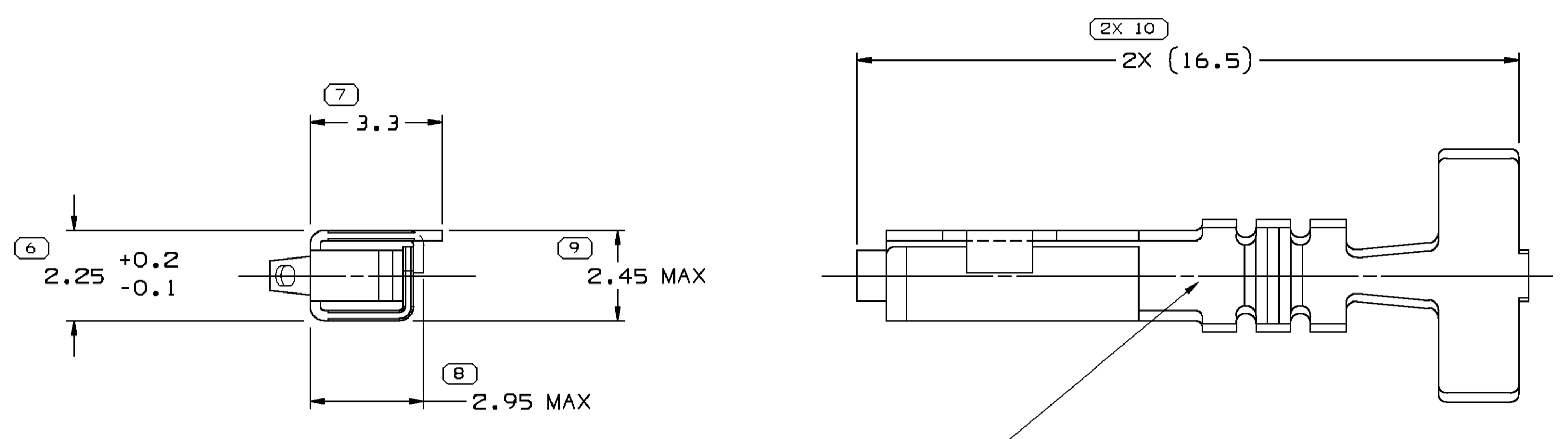
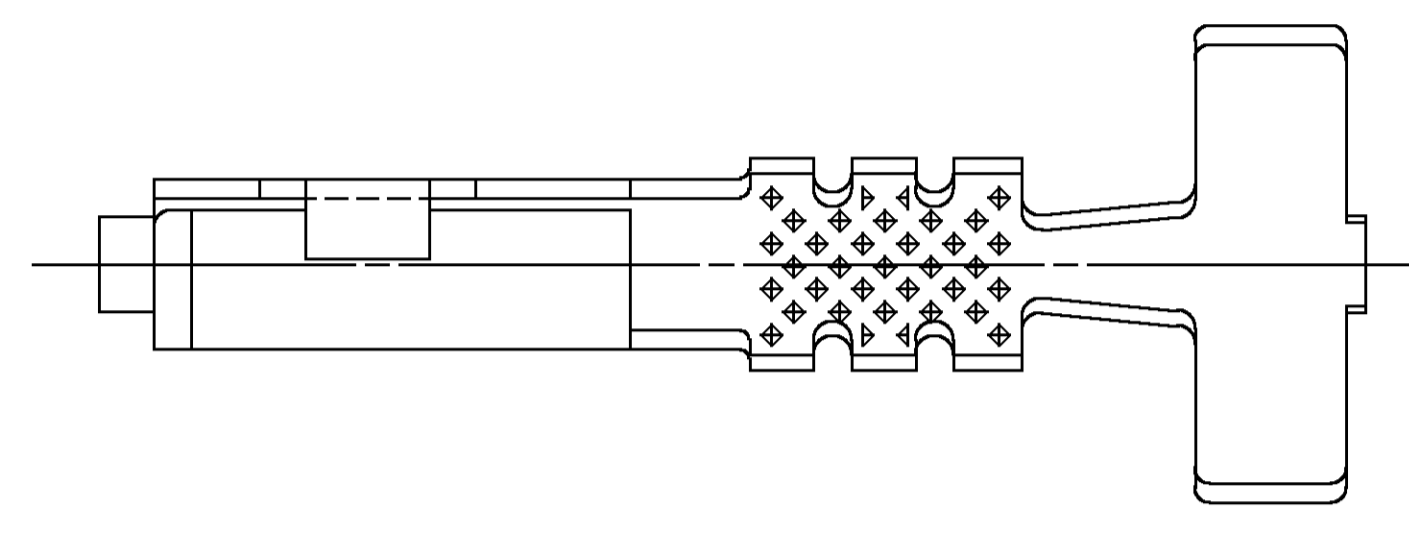
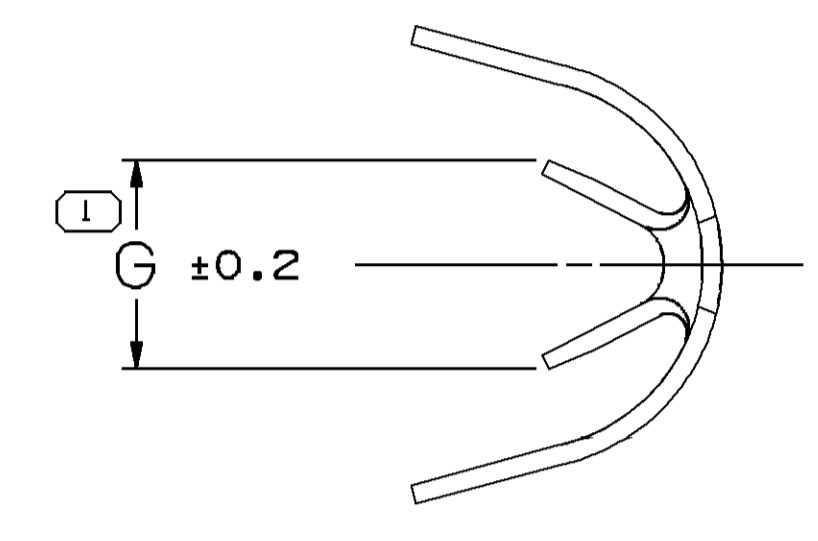


SYMBOL DEFINITION		TOTAL NO OF INSPECTIONS REQUIRED		MISSING SYMBOLS	
A DIMENSION WITHOUT AN INSPECTION REPORT SYMBOL DOES NOT REQUIRE INSPECTION. IT MAY BE CONTROLLED ON THE INDIVIDUAL COMPONENT DRAWING.			12	NO MISSING SYMBOL NUMBER	
		LAST NO. USED	10		

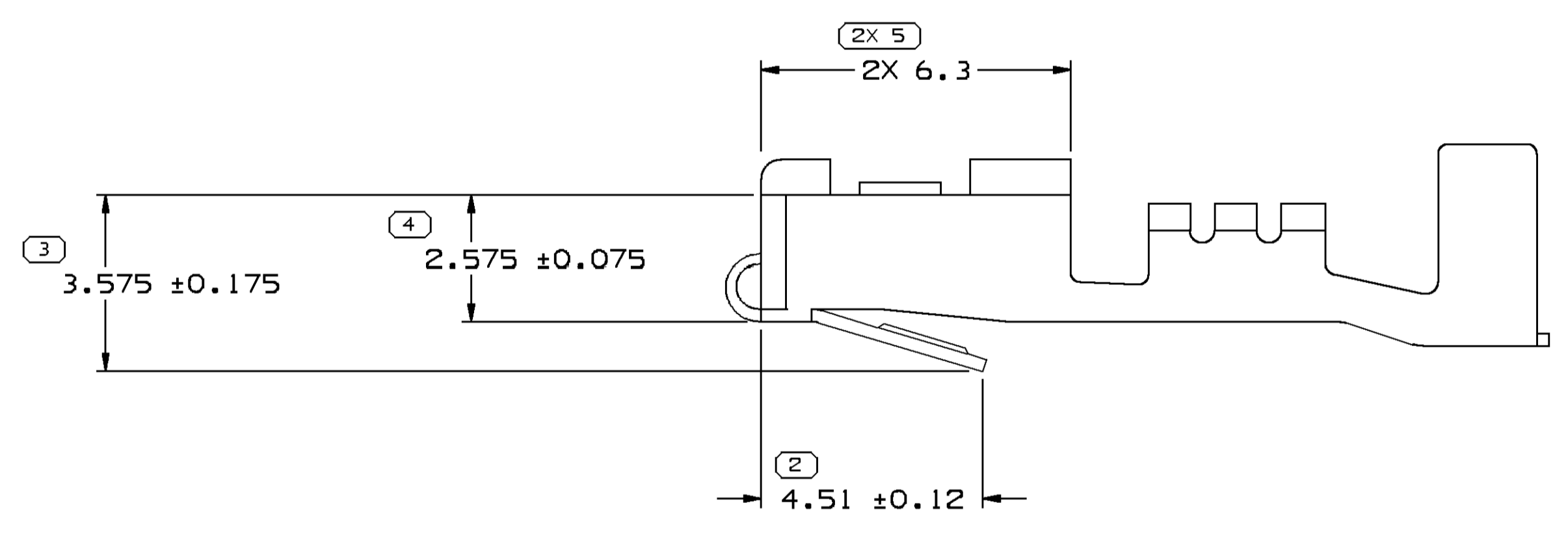
DWS STATUS		REV		N/P		CHG		ZONE		REVISION HISTORY		AUTH		DR		APVD	
23MY02	R	10	-	-	-	-	-	-	-	ALL PARTS - CLEARED REV COLUMN & REVISED MATERIAL SPECS: 12048074 - UPDATED PDM ATTRIBUTES	222820	HAM	HAM	DLB			
22AU02	R	11	-	-	-	-	-	-	-	15366078, 15326396, 15326225, 12160223, 12160222, 12084200 & 12048074 - REVISED MAT'L SIZE AND MAT'L SPEC	211578	ESF	EAR	GMC			
06FE03	R	12	-	-	-	-	-	-	-	ALL ACTIVE PARTS- UPDATED PDM ATTRIBUTES	236348	MAC	MAC	JMP			
140C03	R	13	-	-	-	-	-	-	-	15366078 - MAT'L SPEC WAS M3620 HCN4	245588	ADK	TLD	BB			
17FE04	-	14	-	-	-	-	-	-	-	12048074, 12084200, 12092702, 12160222, 12160223, 15326225, 15326396 & 15366078 - T.O.D. UPDATED	250621	JS	JS	BB			
190C04	R	15	-	-	-	-	-	-	-	ALL ACTIVE PARTS - ADDED TERMINAL ID NOTE	260108	RTV	JAA	MKM			
09MR06	R	16	-	-	-	-	-	-	-	12084200 & 15326396 - UPDATED PDM ATTRIBUTES	276509	JBD	JAA	UES			
24MY06	R	17	-	-	-	-	-	-	-	12092702 - OBSOLETE	280889	BLG	JAA	BDO			
16JN06	R	18	-	-	-	-	-	-	-	ALL ACTIVE PARTS - PSD WAS #4	281799	JTZ	JVM	BDO			
27JL12	R	19	-	-	-	-	-	-	-	12160222-23 - UPDATED MATERIAL CALLOUT AND ADDED TYPE 203	418958	AJP	AJP	MAA			
02JA13	R	20	-	-	-	-	-	-	-	12160222-23 - UPDATED PDM ATTRIBUTES	420897	IMF	JAA	MAA			
24JA13	R	21	-	-	-	-	-	-	-	12160222-23 - UPDATED PDM ATTRIBUTES	421210	AGC	JAA	MAA			
19FE15	R	22	-	-	-	-	-	-	-	12160222-23 - ADDED TARNISH NOTE	428876	JVR	JVM	JSM			



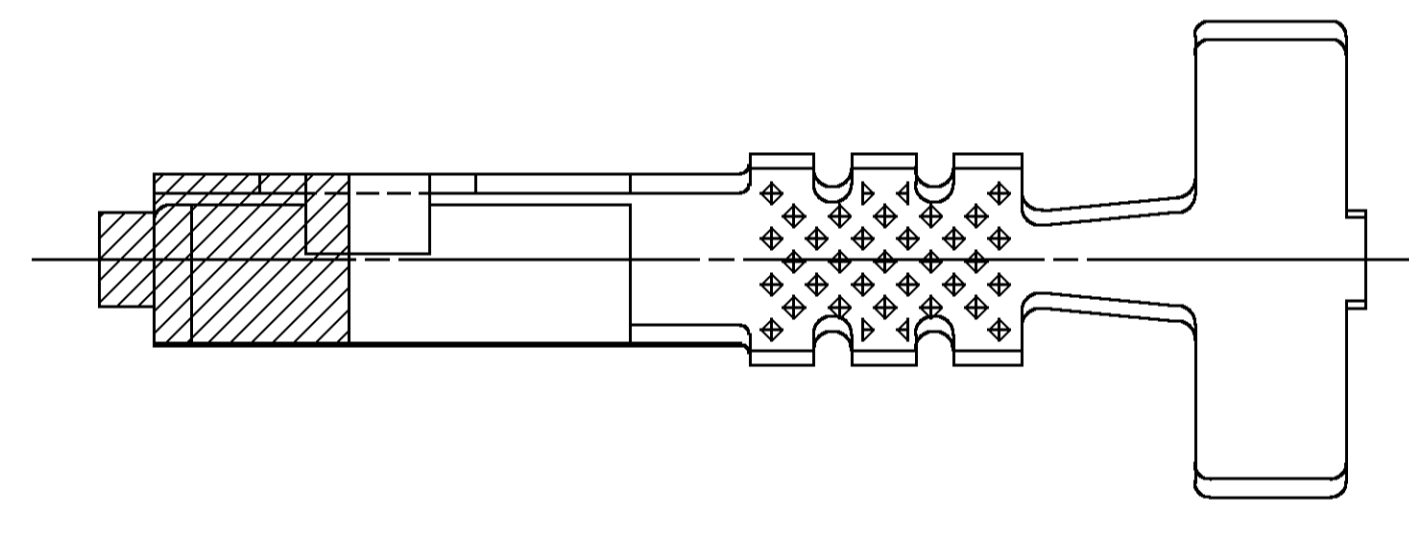
STAMP DIE ID "PXX" IN THIS AREA (0.6) CHARACTERS XX DESIGNATES DIE NUMBER LOCATION IS APPROXIMATE.



TYPE 202  
SAME AS TYPE 101  
EXCEPT AS SHOWN



TYPE 201



TYPE 203  
SAME AS TYPE 202  
EXCEPT AS SHOWN

NOTES:

- UNLESS OTHERWISE SPECIFIED AND/OR INDICATED: DIMENSIONS ARE TO FACE OF VIEW SHOWN AND AUTOMATICALLY ROUNDED BY COMPUTER FOR INSPECTION. (SEE MATH MODEL FOR PRECISE DIMENSION) FOR ALL OTHER DIMENSIONS NOT SHOWN BUT REQUIRED FOR TOOL BUILD, SEE MATH MODEL FOR PRECISE TOOL PATH DATA.
- RECOMMENDED MATING BLADE - WIDTH : 1.64/1.4 THICKNESS : 0.86/0.79 LENGTH : 7.1/6.9
- "PXX" INDICATES "P" PLUS LAST TWO DIGITS OF MAKE SERIES NUMBER (P01, P02, P03, ETC).
- DO NOT PROBE, TEST OR OTHERWISE CONTACT THE INTERIOR REGION (THE SPRING OR ANY MOVING PART) OF THIS TERMINAL. SEVERE DAMAGE CAN OCCUR, COMPROMISING THE PERFORMANCE OF THE ELECTRICAL INTERFACE.
- FOR TERMINALS PACKAGED & STORED IN THE APPROVED MANNER, TARNISH ON SILVER PLATED SURFACES WILL NOT AFFECT THE PERFORMANCE OF THE PART.

PART NO	REV	N/P	MAT'L SIZE	UNPLATED	MAT'L SPEC	PART NO	REV	N/P	MAT'L SIZE	PLATED	MAT'L SPEC	SIZE (MMF)	ID	DIA	TYPE	6
			0.254 X 30.96			15366078	05	AB	0.254 X 29.8	AU PLATED COPPER ALLOY		1-0.8-0.5	60	2.8-2.03	202	3
			0.254 X 30.96			15326396	03	AC	0.254 X 29.8	AU PLATED COPPER ALLOY		0.5-0.35	21	2.2-1.3	202	2.1
			0.254 X 30.96			12160223	06	AC	0.254 X 29.8	SN PLATED COPPER ALLOY		1-0.8-0.5	60	2.8-2.03	202	3
			0.254 X 30.96			12160222	06	AC	0.254 X 29.8	AG PLATED COPPER ALLOY		1-0.8	17	2.65-1.85	203	3
			0.254 X 30.96			12160222	06	AC	0.254 X 29.8	AG PLATED COPPER ALLOY		0.5-0.35	21	2.2-1.3	203	2.1
12092702	03	AB	0.254 X 30.96		COPPER ALLOY	12084200	06	AC	0.254 X 29.8	SN PLATED COPPER ALLOY		0.5-0.35	21	2.2-1.3	202	2.1
12092667	B1	-	0.254 X 30.96		COPPER ALLOY	12054611	C1	-	0.254 X 30.96	SN PLATED COPPER ALLOY		0.35	22	2-1.47	201	2.2
			0.254 X 30.96			12048074	11	AB	0.254 X 29.8	SN PLATED COPPER ALLOY		1-0.8-0.5	60	2.8-2.03	202	3

DIMENSIONAL RANGE (MM)	TOLERANCE	CHART ID
FROM 0 TO 12	±0.1	1
12 TO 25	±0.15	2
25 TO 50	±0.2	3
50 TO 100	±0.3	4
100 TO 150	±0.4	5
150 TO 200	±0.5	6
200 TO 300	±0.6	7
300 TO 500	±0.8	8
500 TO 1000	±1.0	9
1000 TO 1500	±1.2	10
1500 TO 2000	±1.5	11
2000 TO 3000	±2.0	12
3000 TO 5000	±2.5	13
5000 TO 10000	±3.0	14
10000 TO 15000	±3.5	15
15000 TO 20000	±4.0	16
20000 TO 30000	±5.0	17
30000 TO 50000	±6.0	18
50000 TO 100000	±8.0	19
100000 TO 150000	±10.0	20
150000 TO 200000	±12.0	21
200000 TO 300000	±15.0	22
300000 TO 500000	±20.0	23
500000 TO 1000000	±25.0	24
1000000 TO 1500000	±30.0	25
1500000 TO 2000000	±35.0	26
2000000 TO 3000000	±40.0	27
3000000 TO 5000000	±50.0	28
5000000 TO 10000000	±60.0	29
10000000 TO 15000000	±70.0	30
15000000 TO 20000000	±80.0	31
20000000 TO 30000000	±90.0	32
30000000 TO 50000000	±100.0	33
50000000 TO 100000000	±120.0	34
100000000 TO 150000000	±150.0	35
150000000 TO 200000000	±180.0	36
200000000 TO 300000000	±200.0	37
300000000 TO 500000000	±250.0	38
500000000 TO 1000000000	±300.0	39
1000000000 TO 1500000000	±350.0	40
1500000000 TO 2000000000	±400.0	41
2000000000 TO 3000000000	±450.0	42
3000000000 TO 5000000000	±500.0	43
5000000000 TO 10000000000	±600.0	44
10000000000 TO 15000000000	±700.0	45
15000000000 TO 20000000000	±800.0	46
20000000000 TO 30000000000	±900.0	47
30000000000 TO 50000000000	±1000.0	48
50000000000 TO 100000000000	±1200.0	49
100000000000 TO 150000000000	±1500.0	50
150000000000 TO 200000000000	±1800.0	51
200000000000 TO 300000000000	±2000.0	52
300000000000 TO 500000000000	±2500.0	53
500000000000 TO 1000000000000	±3000.0	54
1000000000000 TO 1500000000000	±3500.0	55
1500000000000 TO 2000000000000	±4000.0	56
2000000000000 TO 3000000000000	±4500.0	57
3000000000000 TO 5000000000000	±5000.0	58
5000000000000 TO 10000000000000	±6000.0	59
10000000000000 TO 15000000000000	±7000.0	60
15000000000000 TO 20000000000000	±8000.0	61
20000000000000 TO 30000000000000	±9000.0	62
30000000000000 TO 50000000000000	±10000.0	63
50000000000000 TO 100000000000000	±12000.0	64
100000000000000 TO 150000000000000	±15000.0	65
150000000000000 TO 200000000000000	±18000.0	66
200000000000000 TO 300000000000000	±20000.0	67
300000000000000 TO 500000000000000	±25000.0	68
500000000000000 TO 1000000000000000	±30000.0	69
1000000000000000 TO 1500000000000000	±35000.0	70
1500000000000000 TO 2000000000000000	±40000.0	71
2000000000000000 TO 3000000000000000	±45000.0	72
3000000000000000 TO 5000000000000000	±50000.0	73
5000000000000000 TO 10000000000000000	±60000.0	74
10000000000000000 TO 15000000000000000	±70000.0	75
15000000000000000 TO 20000000000000000	±80000.0	76
20000000000000000 TO 30000000000000000	±90000.0	77
30000000000000000 TO 50000000000000000	±100000.0	78
50000000000000000 TO 100000000000000000	±120000.0	79
100000000000000000 TO 150000000000000000	±150000.0	80
150000000000000000 TO 200000000000000000	±180000.0	81
200000000000000000 TO 300000000000000000	±200000.0	82
300000000000000000 TO 500000000000000000	±250000.0	83
500000000000000000 TO 1000000000000000000	±300000.0	84
1000000000000000000 TO 1500000000000000000	±350000.0	85
1500000000000000000 TO 2000000000000000000	±400000.0	86
2000000000000000000 TO 3000000000000000000	±450000.0	87
3000000000000000000 TO 5000000000000000000	±500000.0	88
5000000000000000000 TO 10000000000000000000	±600000.0	89
10000000000000000000 TO 15000000000000000000	±700000.0	90
15000000000000000000 TO 20000000000000000000	±800000.0	91
20000000000000000000 TO 30000000000000000000	±900000.0	92
30000000000000000000 TO 50000000000000000000	±1000000.0	93
50000000000000000000 TO 100000000000000000000	±1200000.0	94
100000000000000000000 TO 150000000000000000000	±1500000.0	95
150000000000000000000 TO 200000000000000000000	±1800000.0	96
200000000000000000000 TO 300000000000000000000	±2000000.0	97
300000000000000000000 TO 500000000000000000000	±2500000.0	98
500000000000000000000 TO 1000000000000000000000	±3000000.0	99
1000000000000000000000 TO 1500000000000000000000	±3500000.0	100
1500000000000000000000 TO 2000000000000000000000	±4000000.0	101
2000000000000000000000 TO 3000000000000000000000	±4500000.0	102
3000000000000000000000 TO 5000000000000000000000	±5000000.0	103
5000000000000000000000 TO 10000000000000000000000	±6000000.0	104
10000000000000000000000 TO 15000000000000000000000	±7000000.0	105
15000000000000000000000 TO 20000000000000000000000	±8000000.0	106
20000000000000000000000 TO 30000000000000000000000	±9000000.0	107
30000000000000000000000 TO 50000000000000000000000	±10000000.0	108
50000000000000000000000 TO 100000000000000000000000	±12000000.0	109
100000000000000000000000 TO 150000000000000000000000	±15000000.0	110
150000000000000000000000 TO 200000000000000000000000	±18000000.0	111
200000000000000000000000 TO 300000000000000000000000	±20000000.0	112
300000000000000000000000 TO 500000000000000000000000	±25000000.0	113
500000000000000000000000 TO 1000000000000000000000000	±30000000.0	114
1000000000000000000000000 TO 1500000000000000000000000	±35000000.0	115
1500000000000000000000000 TO 2000000000000000000000000	±40000000.0	116
2000000000000000000000000 TO 3000000000000000000000000	±45000000.0	117
3000000		

## X-ON Electronics

Largest Supplier of Electrical and Electronic Components

*Click to view similar products for [Automotive Connectors](#) category:*

*Click to view products by [Delphi](#) manufacturer:*

Other Similar products are found below :

[003-018-000](#) [600858](#) [60403001](#) [60993906-B](#) [60993913-B](#) [629515004020001](#) [M902-2131](#) [M902-2161](#) [M902-2344](#) [72.330.1035.1](#)  
[73.353.4028.0](#) [F118010](#) [F119300-B](#) [F132210](#) [F132210-B](#) [F166900](#) [F180100](#) [F258300](#) [F258300-B](#) [F294300-B](#) [F339100](#) [F339700](#) [F358300-](#)  
[B](#) [F374110](#) [F407400](#) [F412210](#) [F427600](#) [F444110](#) [F487000](#) [F495100-B](#) [F500900-B](#) [F509500B-B](#) [770444-1](#) [776880-1](#) [827153-1](#) [881735-1](#)  
[8N1515-32-24P](#) [9-1326727-8](#) [9-1326729-8](#) [925467-1](#) [925474-1](#) [928905-1](#) [936398-2](#) [964562-1](#) [964562-4](#) [964731-2](#) [965051-1](#) [968782-1](#)  
[GT17SA-8DS-HU](#) [GT17VS-10DP-5.2CF](#)