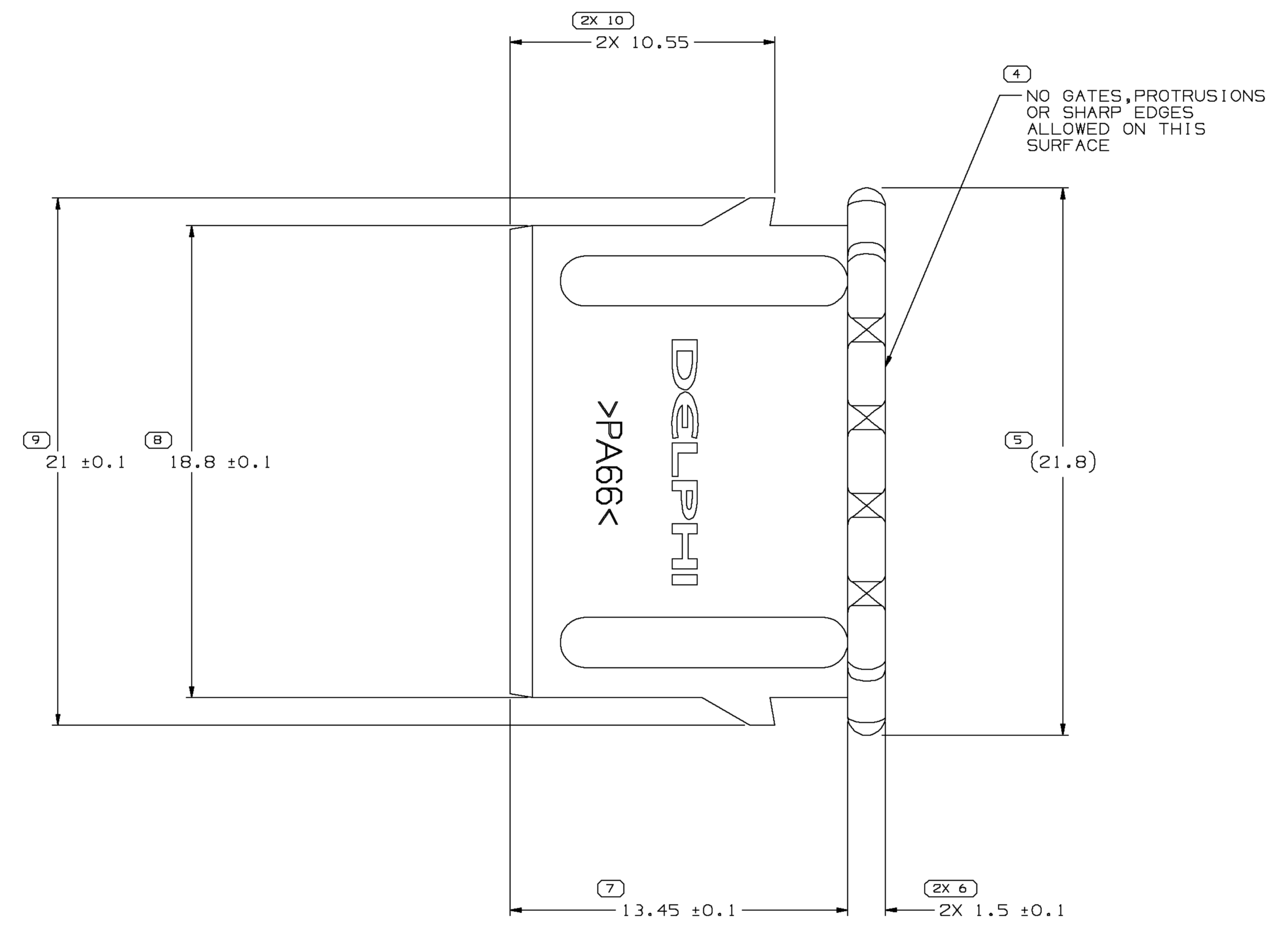
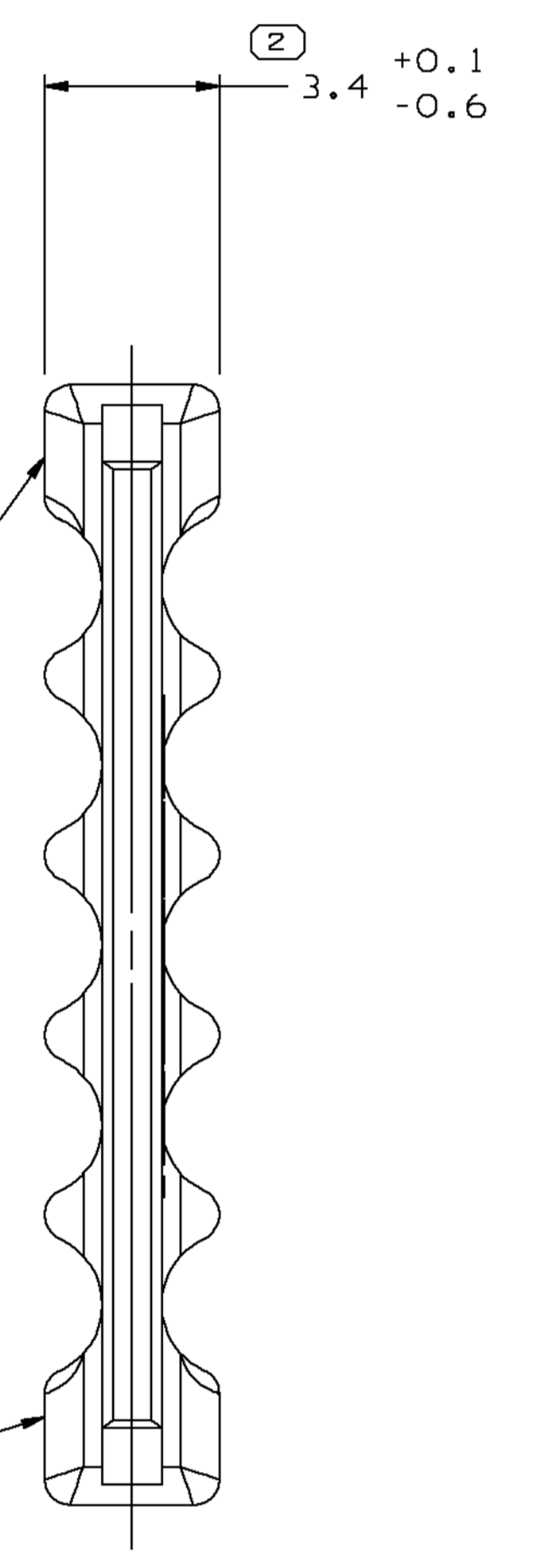
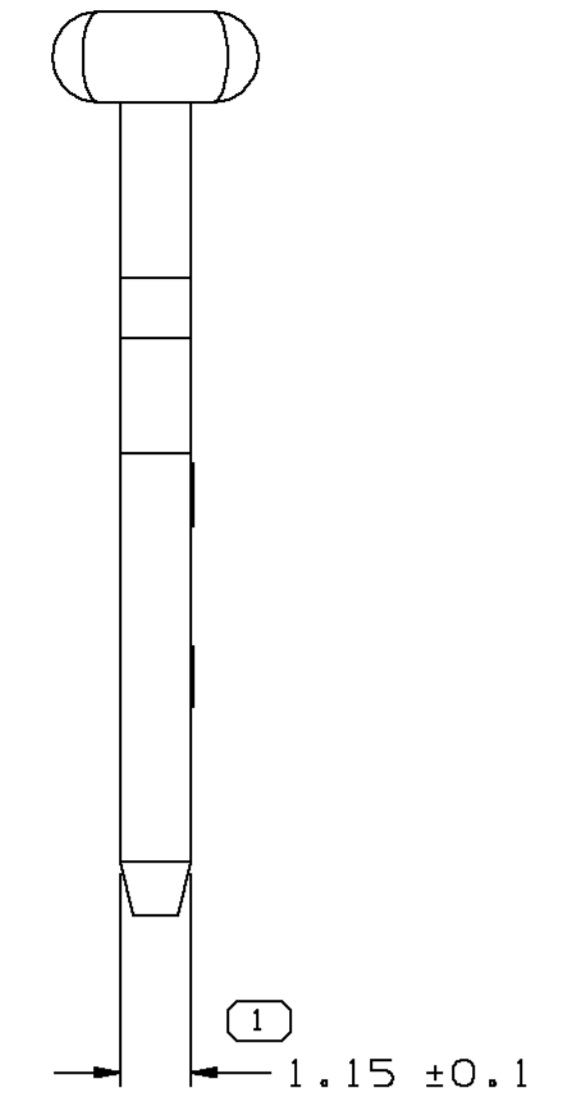


SYMBOL DEFINITION		MISSING SYMBOLS	
A DIMENSION WITHOUT AN INSPECTION REPORT SYMBOL DOES NOT REQUIRE INSPECTION. IT MAY BE CONTROLLED ON THE INDIVIDUAL COMPONENT DRAWING.	TOTAL NO OF INSPECTIONS REQUIRED	NO MISSING SYMBOL NUMBER	
	12		
	LAST NO. USED		
	10		

DWG STATUS				REVISION HISTORY				AUTH		APVD			
DATE	STG	REV	W/P	CHG	ZONE			DR	APVD	1	2		
19AU02	R	B4	-	-		CREATED PD, MAT'L SPEC WAS R0071748 & ADDED DELPHI CORPORATE LOGO				229318	HH	RH	ET



3 EJECTION FLATS PERMISSIBLE IN THESE AREAS, BOTH SIDES

- NOTES
- UNLESS OTHERWISE SPECIFIED AND/OR INDICATED: DIMENSIONS ARE TO FACE OF VIEW SHOWN AND AUTOMATICALLY ROUNDED BY COMPUTER FOR INSPECTION (SEE MATH MODEL FOR PRECISE DIMENSIONS). FOR ALL OTHER DIMENSIONS NOT SHOWN BUT REQUIRED FOR TOOL BUILD, SEE MATH MODEL FOR PRECISE TOOL PATH DATA.
 - MATERIAL RECYCLING CODE >PA66< PER SAE J1344. (2.31X(0.1) RAISED CHARACTERS AS SHOWN TO BE LOCATED ON ANY EXTERIOR SURFACE. OPTIONAL CONSTRUCTION TO BE NO MATERIAL RECYCLING CODE.
 - THIS PART IS NOT CONTROLLED FOR AUTOMATIC FEEDING.
 - MATING COMPONENTS OR EQUIVALENT: CONNECTOR 12064769
 - MATERIAL CHANGED TO REDUCE BREAKAGE. DO NOT CHANGE WITHOUT CONSULTING COMPONENT LIASON ENGINEERING
 - (2.31X(0.1) RAISED DELPHI CORPORATE BRAND TO BE LOCATED ON ANY EXTERIOR SURFACE, PREFERABLY VISIBLE AT FINAL ASSEMBLY. OPTIONAL CONSTRUCTION TO BE "PED" OR NO LOGO.

DWG TYPE		PART DRAWING	
STYLE		DISTR CODE	D
VOLUME (COP)	0, 312	ROUTING	6901

UNLESS OTHERWISE SPECIFIED THIS DOCUMENT IS IN ACCORDANCE WITH ASME Y14.5M-1994 AS AMENDED BY THE GW GLOBAL DIMENSIONING AND TOLERANCING ADDENDUM 1993. ALL DIMENSIONAL TOLERANCES AND RELATED DATUMS APPLY UNLESS OTHERWISE SPECIFIED. UNLESS OTHERWISE SPECIFIED, ALL DIMENSIONS ARE TO UNLESS OTHERWISE SPECIFIED, UNLESS OTHERWISE SPECIFIED, UNLESS OTHERWISE SPECIFIED.

DELPHI
DELPHI PACKARD ELECTRIC SYSTEMS
WARREN, OH

DR	DATE
APVD1 H. HERNANDEZ	19AU02
APVD2 R. HERMOSILLO	21AU02
APVD3 E. TRACEY	22AU02
APVD4	
APVD5	

MATERIAL: M3592025 PA66 HS 1M GRA MD
SUBSTANCES OF CONCERN AND RECYCLED CONTENT PER DELPHI 10949001

DRAWING NAME: TPA SEC LOCK 10W M/P 150 GRA
DRAWING NUMBER: 12064771

SHEET NO: 1 OF 1
REV: B4

DIMENSIONAL RANGE (MM)		CHART ET	
FROM	TO	0	400
0	20	±0.1	±0.1
20	30	±0.15	±0.15
30	50	±0.2	±0.2
50	70	±0.3	±0.3
70	100	±0.4	±0.4
100	150	±0.5	±0.5
150	200	±0.6	±0.6
200	250	±0.8	±0.8
250	300	±1	±1
300	400	±1.2	±1.2

THIRD ANGLE PROJECTION
DO NOT SCALE
USE MATH DATA
UNIGRAPHICS

X-ON Electronics

Largest Supplier of Electrical and Electronic Components

Click to view similar products for [Automotive Connectors](#) category:

Click to view products by [Delphi](#) manufacturer:

Other Similar products are found below :

[003-018-000](#) [600858](#) [60403001](#) [60993906-B](#) [60993913-B](#) [629515004020001](#) [M902-2131](#) [M902-2161](#) [M902-2344](#) [72.330.1035.1](#)
[73.353.4028.0](#) [F118010](#) [F119300-B](#) [F132210](#) [F132210-B](#) [F166900](#) [F180100](#) [F258300](#) [F258300-B](#) [F294300-B](#) [F339100](#) [F339700](#) [F358300-](#)
[B](#) [F374110](#) [F407400](#) [F412210](#) [F427600](#) [F444110](#) [F487000](#) [F495100-B](#) [F500900-B](#) [F509500B-B](#) [770444-1](#) [776880-1](#) [827153-1](#) [881735-1](#)
[8N1515-32-24P](#) [9-1326727-8](#) [9-1326729-8](#) [925467-1](#) [925474-1](#) [928905-1](#) [936398-2](#) [964562-1](#) [964562-4](#) [964731-2](#) [965051-1](#) [968782-1](#)
[GT17SA-8DS-HU](#) [GT17VS-10DP-5.2CF](#)