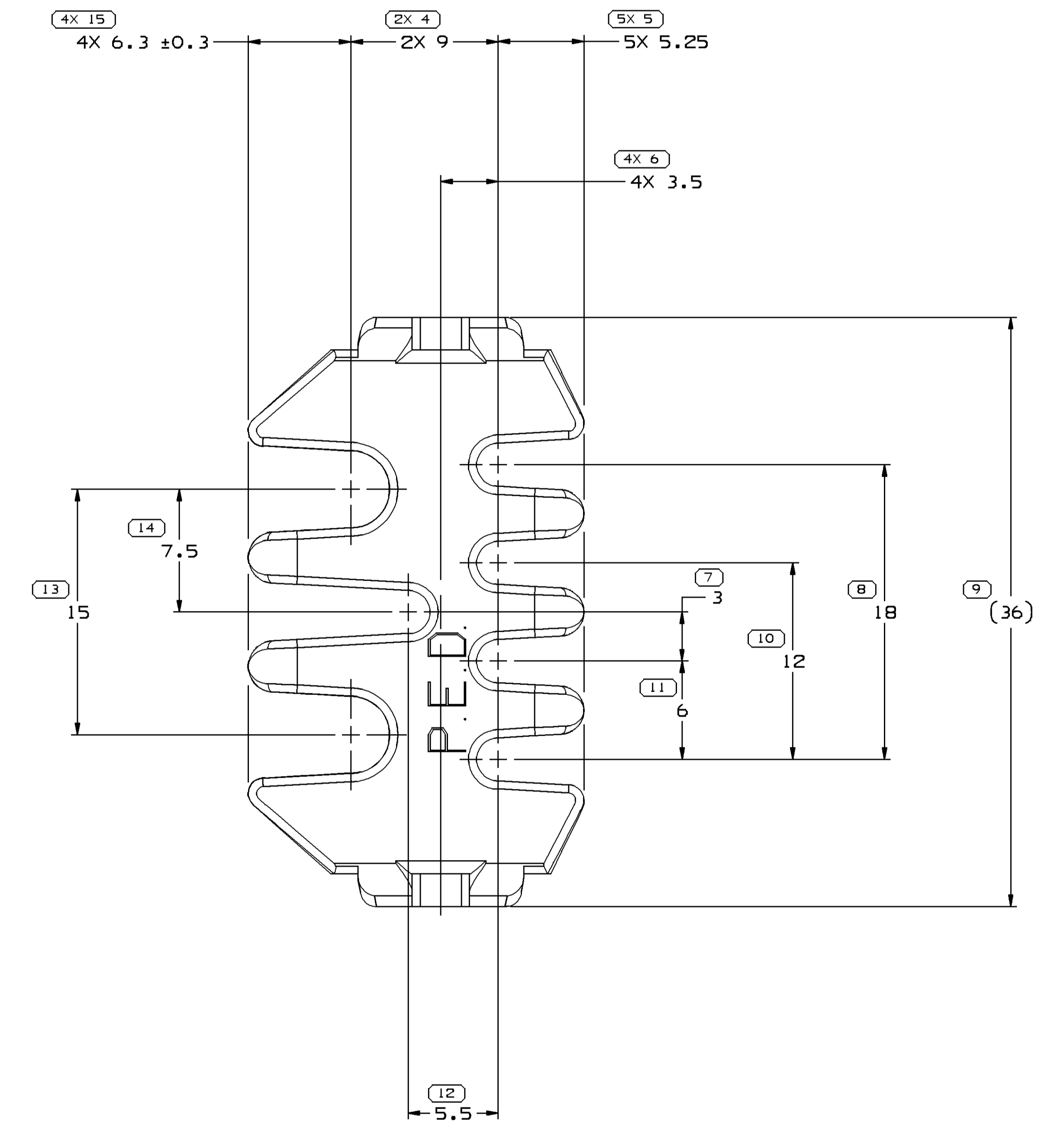
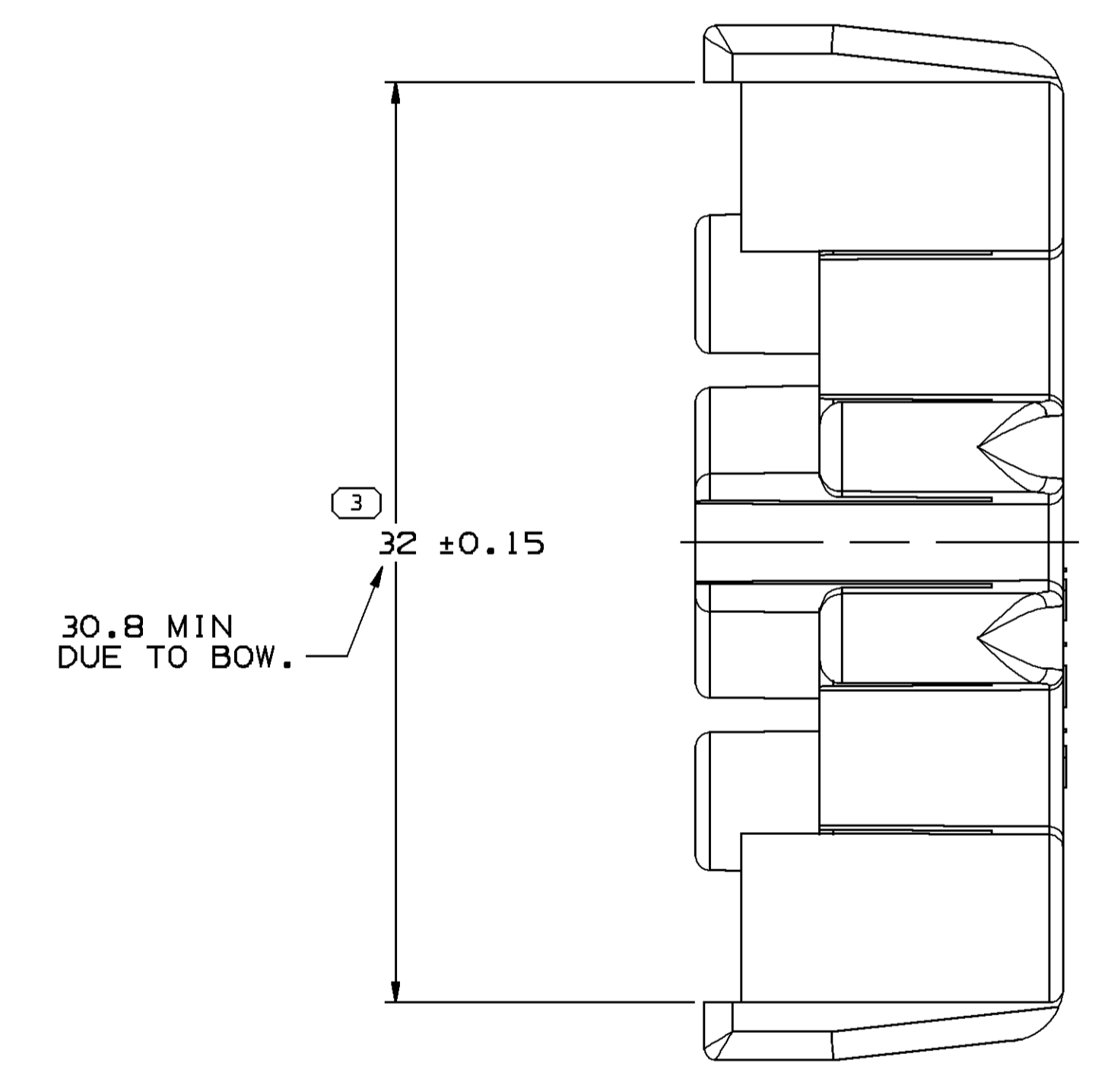
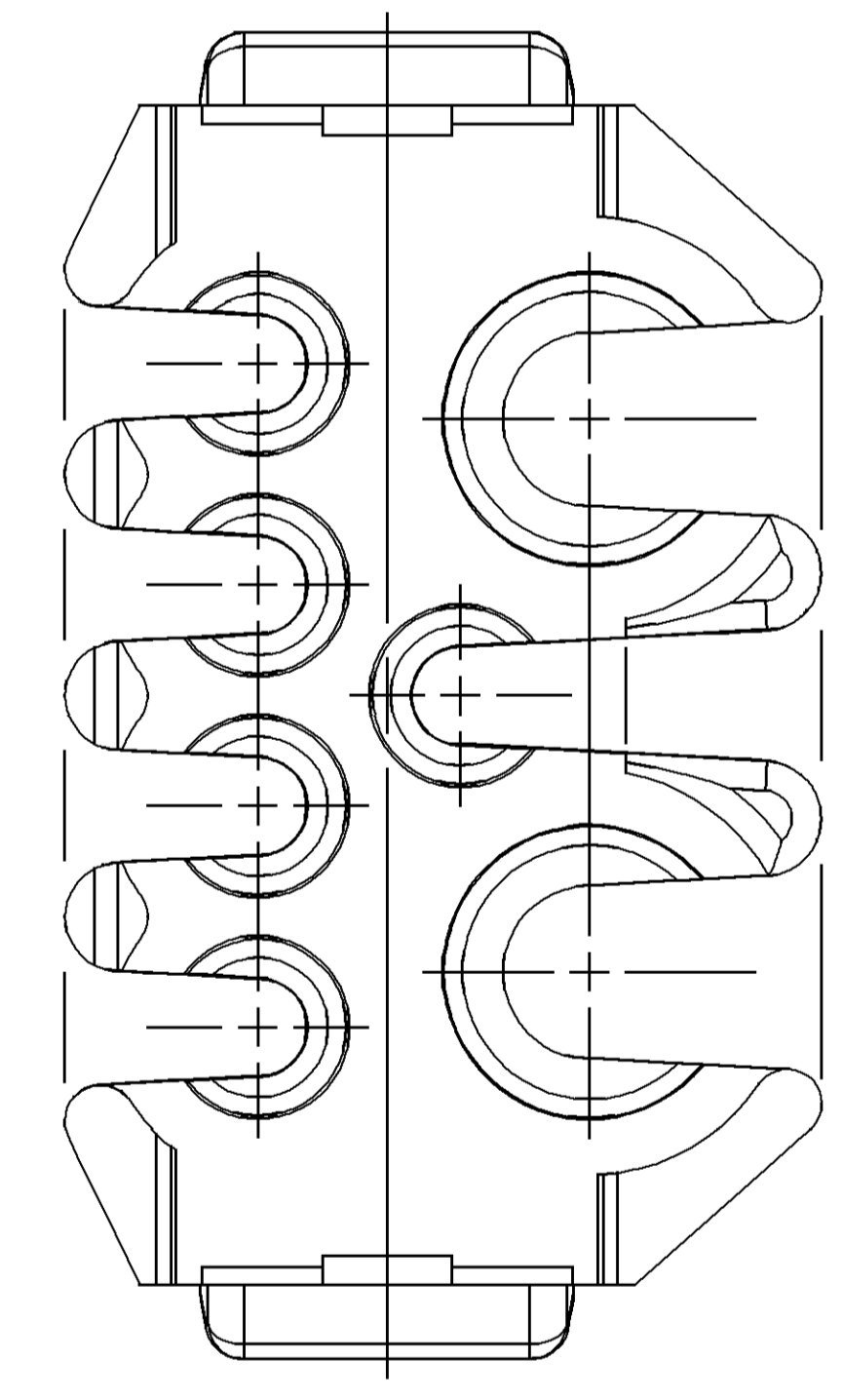
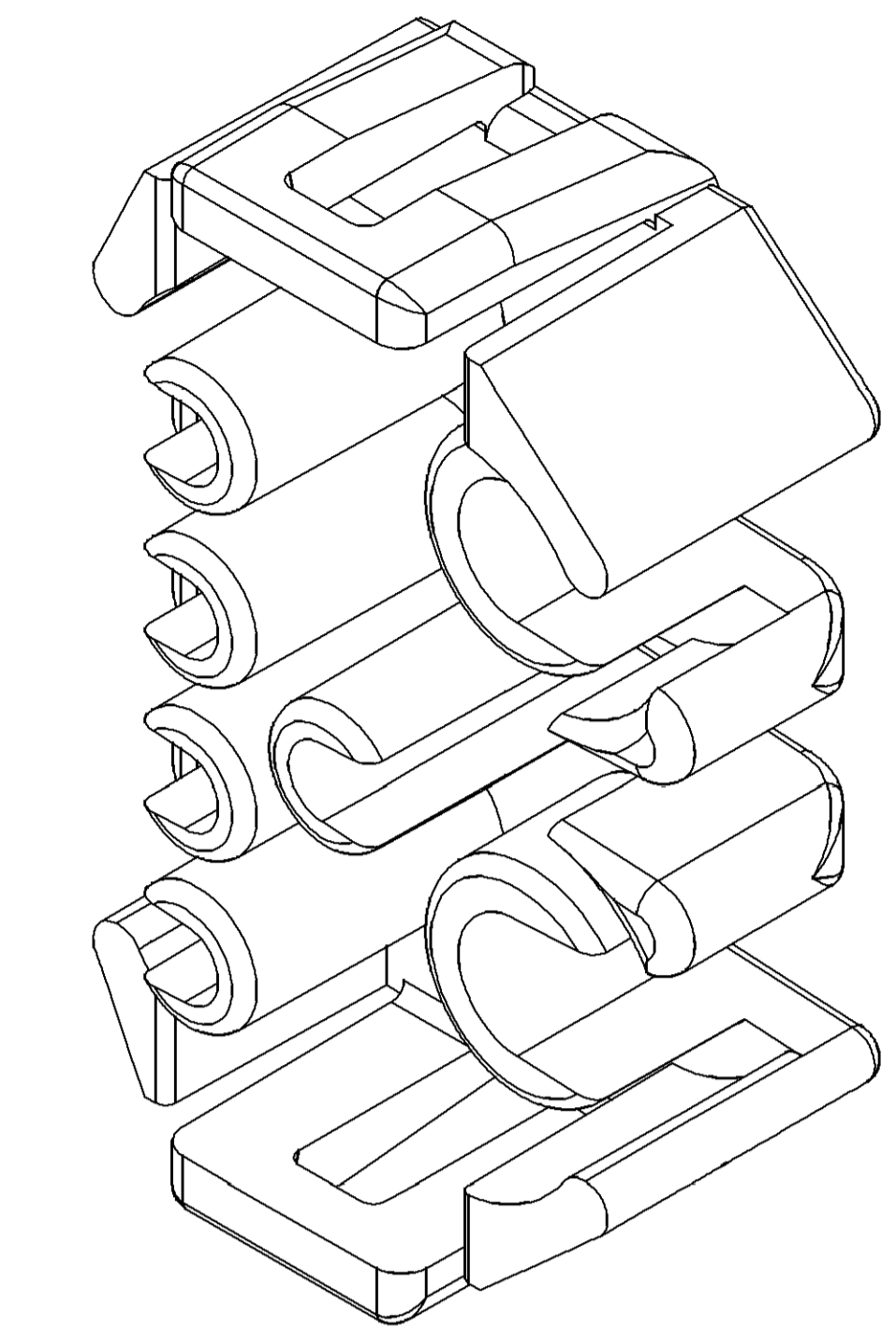
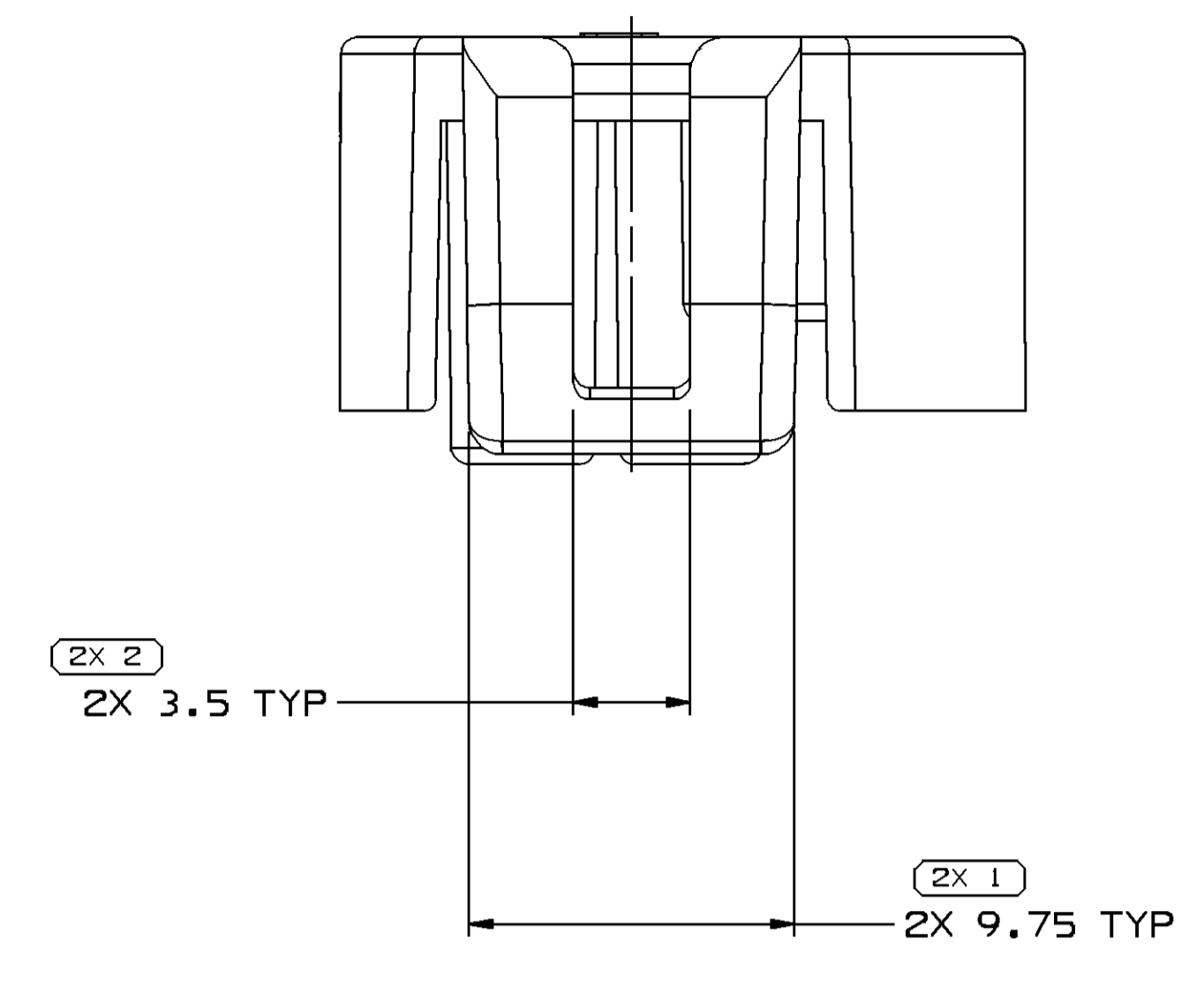


SYMBOL DEFINITION		MISSING SYMBOLS	
A DIMENSION WITHOUT AN INSPECTION REPORT SYMBOL DOES NOT REQUIRE INSPECTION. IT MAY BE CONTROLLED ON THE INDIVIDUAL COMPONENT DRAWING.		TOTAL NO OF INSPECTIONS REQUIRED	28
		LAST NO. USED	15

DWG STATUS				REVISION HISTORY				AUTH	
DATE	STG	REV	N/P	CHG	ZONE				
16FE99	R	D4	-	-		REDRAWN TO PD & UPDATED PDM ATTRIBUTES			
13FE09	R	D5	-	-		RELOCATED CENTERLINE DIMENSIONS TO BACK VIEW (11 PLCS)			



- NOTES
- UNLESS OTHERWISE SPECIFIED AND/OR INDICATED, DIMENSIONS ARE TO FACE OF VIEW SHOWN AND AUTOMATICALLY ROUNDED BY COMPUTER FOR INSPECTION. (SEE MATH MODEL FOR PRECISE DIMENSIONS.) FOR ALL OTHER DIMENSIONS NOT SHOWN BUT REQUIRED FOR TOOL BUILD, SEE MATH MODEL FOR PRECISE TOOL PATH DATA.
 - THIS PART IS NOT CONTROLLED FOR AUTOMATIC FEEDING.
 - MATING COMPONENTS OR EQUIVALENT: CONNECTOR 12052197
 - 480 SERIES - MAX. CABLE DIA. THAT WILL FIT PART IS 4.5.
 - 150 SERIES - MAX. CABLE DIA. THAT WILL FIT PART IS 2.5.
 - MATERIAL RECYCLING CODE PER ISO 11469. (2,3)X(0,1) CHARACTERS AS SHOWN TO BE LOCATED ON ANY EXTERIOR SURFACE.
 - THIS PRODUCT IS NOT CATEGORIZED AS AN APPEARANCE ITEM, MINOR IMPERFECTIONS INCLUDING, BUT NOT LIMITED TO, FLOW MARKS, COLOR BLEMISHES, GATE VESTIGE, AND SOFT FLASH THAT DO NOT AFFECT THE FIT, FORM, OR FUNCTION OF THE PART ARE PERMISSIBLE PER NAP 4.10-18.
 - (2,3)X(0,1) DELPHI CORPORATE BRAND TO BE LOCATED ON ANY EXTERIOR SURFACE, PREFERABLY VISIBLE AT FINAL ASSEMBLY. OPTIONAL CONSTRUCTION FOR EXISTING TOOLING MAY BE "PED".

DWG TYPE PART DRAWING																					
STYLE	DATE																				
VOLUME 10/P 2,852	DISTR CODE D																				
UNLESS OTHERWISE SPECIFIED THIS DOCUMENT IS IN ACCORDANCE WITH ASME Y14.5M-1994 AS MODIFIED BY THE IN-SUPPLY DIMENSIONING AND TOLERANCING ADDENDUM-001. SEPARATE WRITINGS OF FEATURES MAY BE BASED SEPARATELY PER RELEASE OF DRAWING REFERENCES.																					
ALL DIMENSIONS ARE IN MILLIMETERS																					
REFERENCE																					
THIRD ANGLE PROJECTION																					
DO NOT SCALE																					
USE MATH DATA																					
<table border="1"> <thead> <tr> <th>DIMENSIONAL RANGE (MM)</th> <th>CHART ET</th> </tr> </thead> <tbody> <tr> <td>FROM > 0</td> <td>> 30</td> </tr> <tr> <td>TO > 20</td> <td>> 70</td> </tr> <tr> <td>> 30</td> <td>> 100</td> </tr> <tr> <td>> 70</td> <td>> 150</td> </tr> <tr> <td>> 100</td> <td>> 200</td> </tr> <tr> <td>> 150</td> <td>> 250</td> </tr> <tr> <td>> 200</td> <td>> 300</td> </tr> <tr> <td>> 300</td> <td>> 400</td> </tr> </tbody> </table>		DIMENSIONAL RANGE (MM)	CHART ET	FROM > 0	> 30	TO > 20	> 70	> 30	> 100	> 70	> 150	> 100	> 200	> 150	> 250	> 200	> 300	> 300	> 400		
DIMENSIONAL RANGE (MM)	CHART ET																				
FROM > 0	> 30																				
TO > 20	> 70																				
> 30	> 100																				
> 70	> 150																				
> 100	> 200																				
> 150	> 250																				
> 200	> 300																				
> 300	> 400																				
<table border="1"> <thead> <tr> <th>TOLERANCE UNLESS OTHERWISE SPECIFIED</th> <th>ANGULAR TOLERANCE</th> </tr> </thead> <tbody> <tr> <td>±0.15</td> <td>±1</td> </tr> <tr> <td>±0.2</td> <td>±1.2</td> </tr> <tr> <td>±0.3</td> <td>±1</td> </tr> <tr> <td>±0.4</td> <td>±1</td> </tr> <tr> <td>±0.5</td> <td>±1</td> </tr> <tr> <td>±0.6</td> <td>±1</td> </tr> <tr> <td>±0.8</td> <td>±1</td> </tr> <tr> <td>±1</td> <td>±1.2</td> </tr> <tr> <td>±1.2</td> <td>±1.2</td> </tr> </tbody> </table>		TOLERANCE UNLESS OTHERWISE SPECIFIED	ANGULAR TOLERANCE	±0.15	±1	±0.2	±1.2	±0.3	±1	±0.4	±1	±0.5	±1	±0.6	±1	±0.8	±1	±1	±1.2	±1.2	±1.2
TOLERANCE UNLESS OTHERWISE SPECIFIED	ANGULAR TOLERANCE																				
±0.15	±1																				
±0.2	±1.2																				
±0.3	±1																				
±0.4	±1																				
±0.5	±1																				
±0.6	±1																				
±0.8	±1																				
±1	±1.2																				
±1.2	±1.2																				

DELPHI
DELPHI PACKARD ELECTRICAL/ELECTRONIC ARCHITECTURE
MVBEN, OH

DR	DATE
APV01 H. GAMA	16FE99
APV02 G. MACIAS	16FE99
APV03 J. HORIUCHI	23FE99
APV04	
APV05	

SUBSTANCES OF CONCERN AND RECYCLED CONTENT PER DELPHI 10949001

MATERIAL: POLYAMIDE COMPOUND GRAY

DRAWING NAME
LOCK SECONDARY TPA M/P 7

DRAWING NUMBER
12052486

SIZE	SCALE	FRAME NO	SHEET NO	STG	REV	N/P
A0	5:1	1 OF 1	1 OF 1	R	D5	-

X-ON Electronics

Largest Supplier of Electrical and Electronic Components

Click to view similar products for [Automotive Connectors](#) category:

Click to view products by [Delphi](#) manufacturer:

Other Similar products are found below :

[003-018-000](#) [600858](#) [60403001](#) [60993906-B](#) [60993913-B](#) [629515004020001](#) [M902-2131](#) [M902-2161](#) [M902-2344](#) [72.330.1035.1](#)
[73.353.4028.0](#) [F118010](#) [F119300-B](#) [F132210](#) [F132210-B](#) [F166900](#) [F180100](#) [F258300](#) [F258300-B](#) [F294300-B](#) [F339100](#) [F339700](#) [F358300-](#)
[B](#) [F374110](#) [F407400](#) [F412210](#) [F427600](#) [F444110](#) [F487000](#) [F495100-B](#) [F500900-B](#) [F509500B-B](#) [770444-1](#) [776880-1](#) [827153-1](#) [881735-1](#)
[8N1515-32-24P](#) [9-1326727-8](#) [9-1326729-8](#) [925467-1](#) [925474-1](#) [928905-1](#) [936398-2](#) [964562-1](#) [964562-4](#) [964731-2](#) [965051-1](#) [968782-1](#)
[GT17SA-8DS-HU](#) [GT17VS-10DP-5.2CF](#)