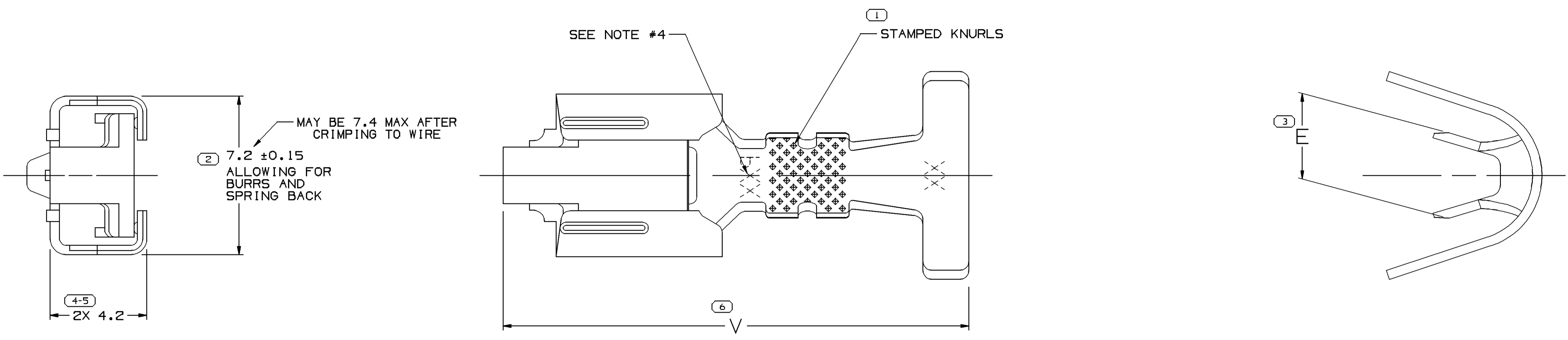
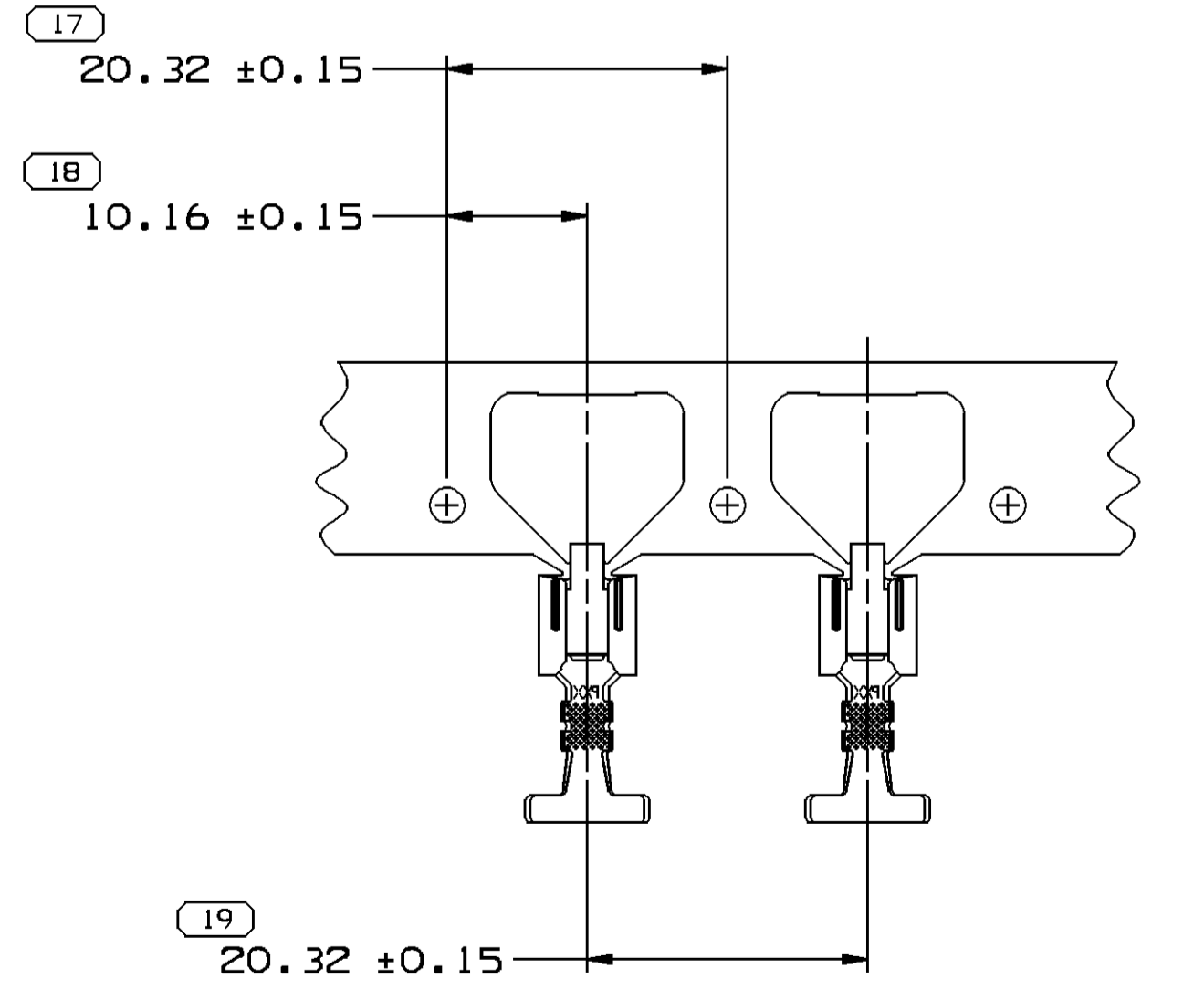
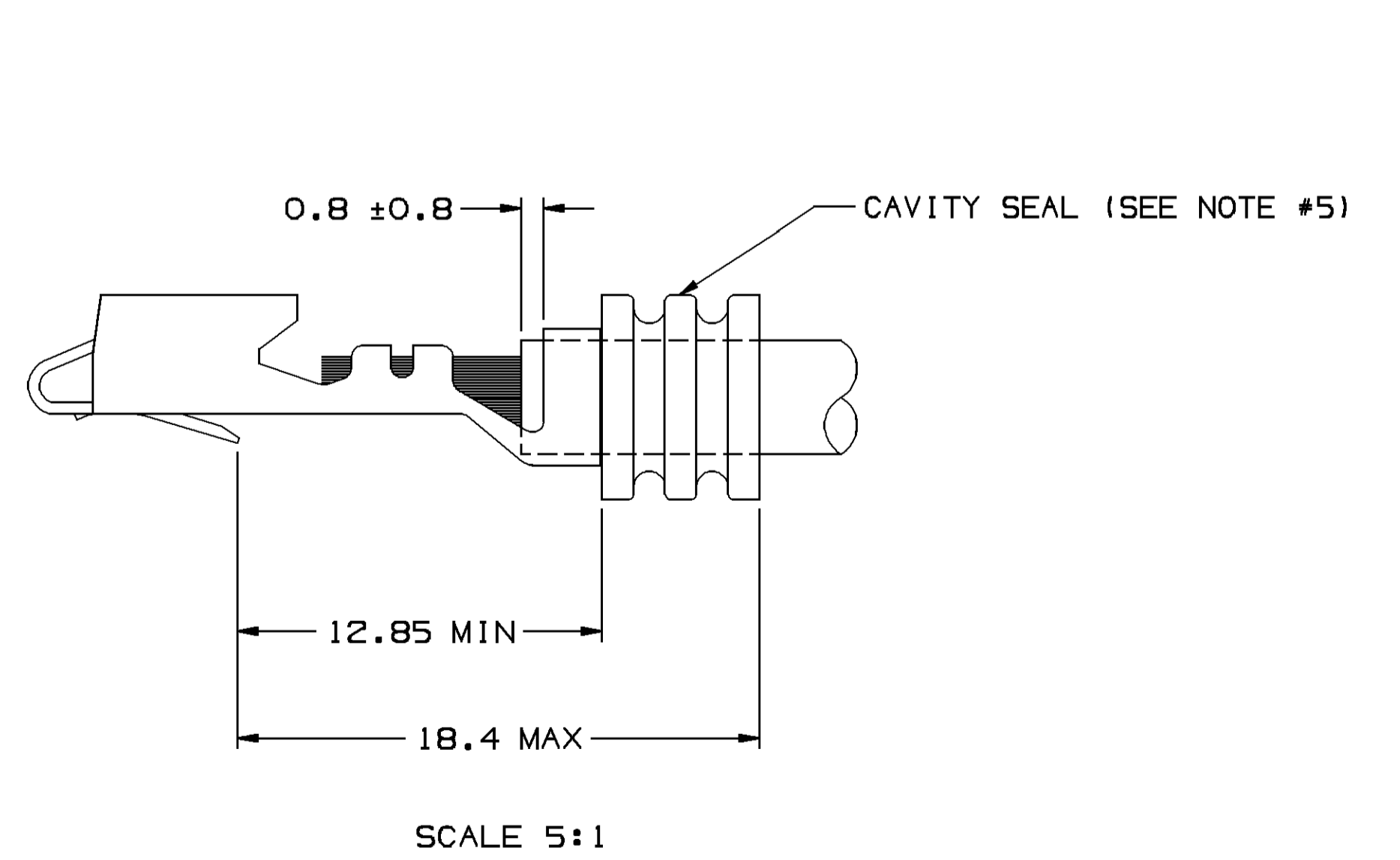
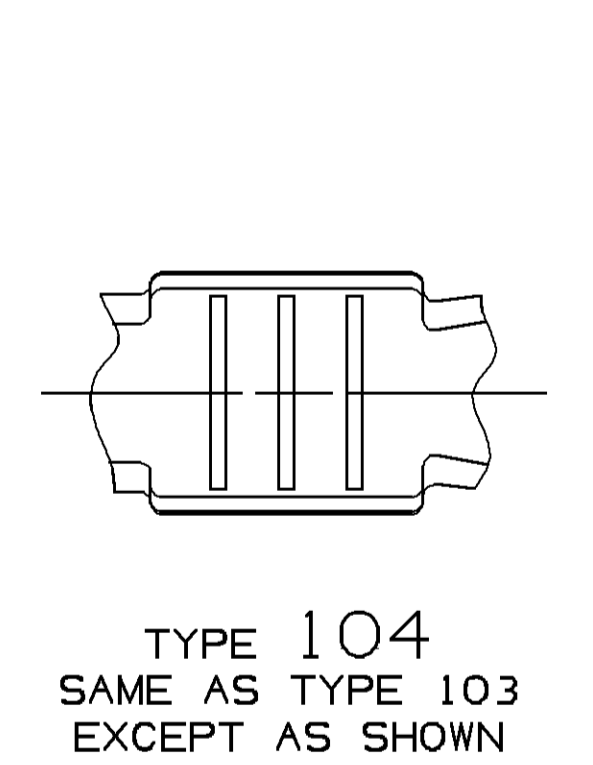
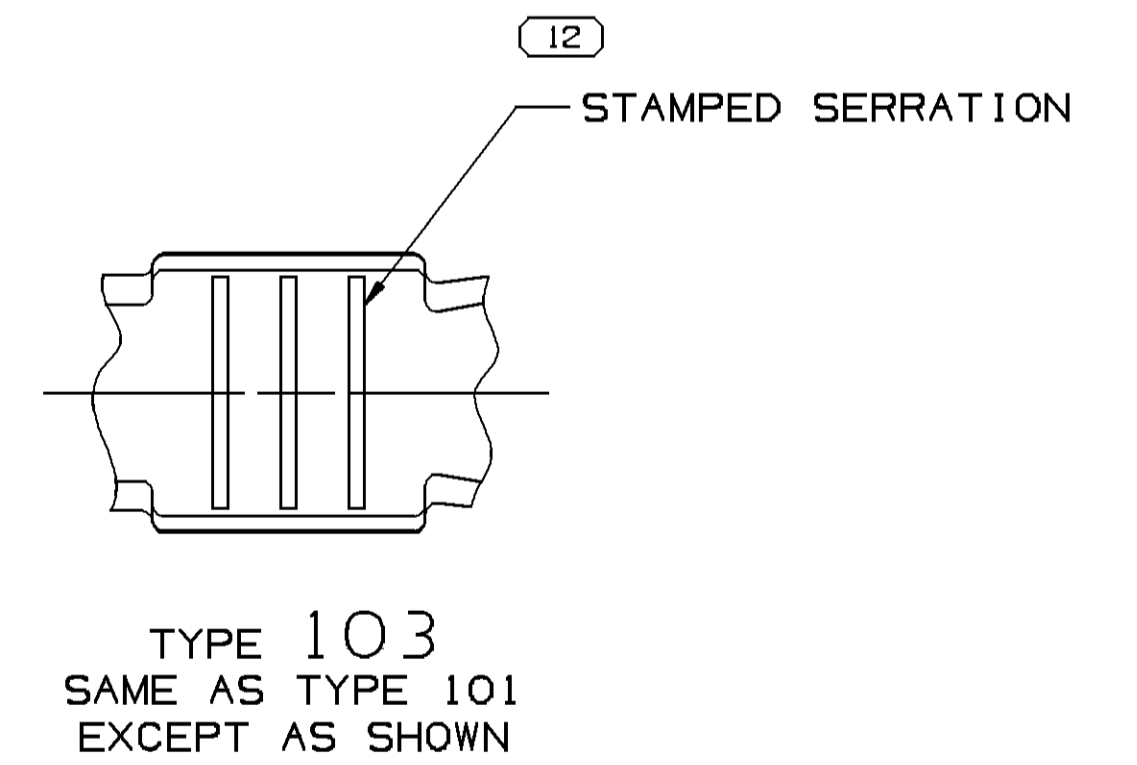
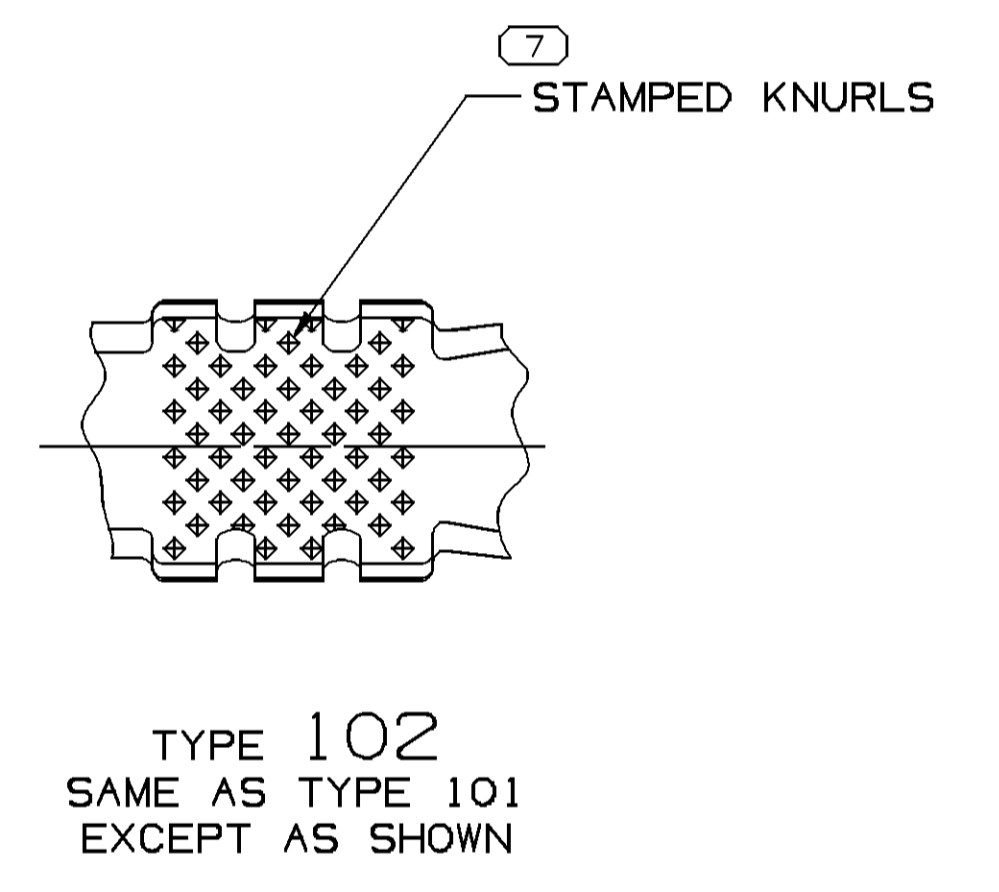
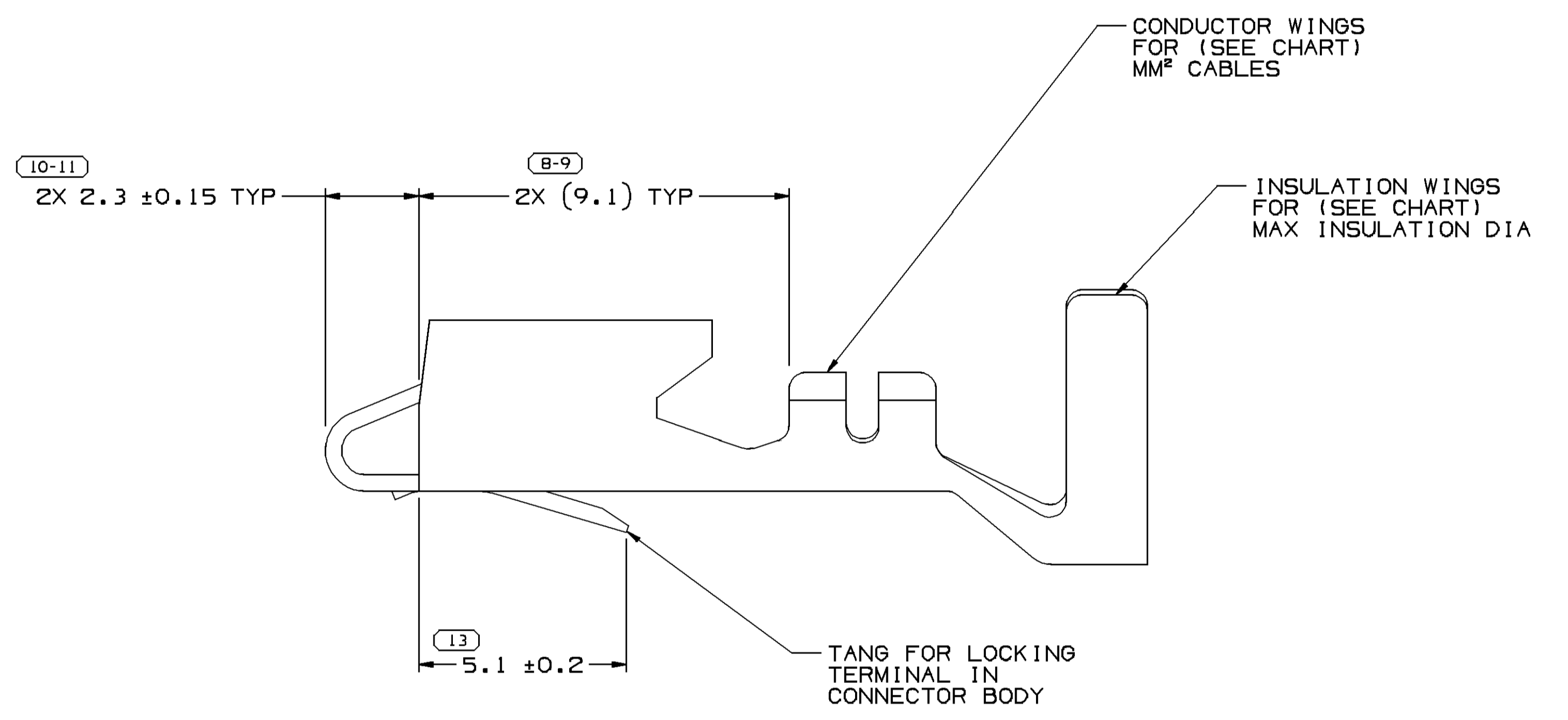


SYMBOL DEFINITION			MISSING NUMBERS		DWG STATUS			REVISION HISTORY			AUTH							
DATE	STG	REV	N/P	CHG	ZONE	DATE	STG	REV	N/P	CHG	ZONE	DATE	STG	REV	N/P	CHG		
A DIMENSION WITHOUT AN INSPECTION REPORT SYMBOL \square DOES NOT REQUIRE INSPECTION. IT MAY BE CONTROLLED ON AN INDIVIDUAL COMPONENT DRAWING.			TOTAL NO. OF SYMBOLS ON DRAWING	13	14-16.		27AU99	R	001	-	-	ALL ACTIVE PARTS - REDRAWN TO PD & ADDED CARRIER STRIP & SEAL ASSEMBLY INFORMATION			990009	RGT	CMP	JH
			LAST NO. USED	19			27AU99	R	002	-	-	ALL ACTIVE PARTS - LETTER DIM V WAS 20.2			198182	RGT	CMP	JH
							09JAO3	R	03	-	-	SHEET 1 OF 3 WAS SHEET 1 OF 2			230755	ECB	JAA	AGL
							29N004	R	04	-	-	15305232 - REVISED MATERIAL CODE			261521	END	END	BG
							21FE05	R	05	-	-	ALL ACTIVE PARTS - UPDATED MAT'L SPECS: REVISED MATING BLADE TOLERANCE (NOTE#21): 7.05+0.3-0.2 WAS 7.05+0.25-0.3 & ADDED NOTE #5			264738	END	END	BG
							06JN05	R	06	-	-	REVISED GRAPHICS			268139	MJM	MJM	BG
							270C06	R	07	-	-	UPDATED PDM ATTRIBUTES			286199	MM	MM	BG



TYPE 101



CARRIER STRIP VIEW
SCALE 2:1

- NOTES:
- UNLESS OTHERWISE SPECIFIED AND/OR INDICATED: DIMENSIONS ARE TO FACE OF VIEW SHOWN AND AUTOMATICALLY ROUNDED BY COMPUTER FOR INSPECTION. (SEE MATH MODEL FOR PRECISE DIMENSION) FOR ALL OTHER DIMENSIONS NOT SHOWN BUT REQUIRED FOR TOOL BUILD, SEE MATH MODEL FOR PRECISE TOOL PATH DATA.
 - RECOMMENDED MATING BLADE 0.8+0.04-0.03 THK X 6.3±0.1 WIDE.
 - THIS PART MATES WITH 12020127 OR EQUIVALENT.
 - "PXX" INDICATES "P" PLUS LAST TWO DIGITS OF MAKE DIE SERIES NUMBER (P01, P02, P03, ETC).
 - TERMINAL TO CRIMP AND RETAIN CAVITY SEAL 12052386 OR EQUIVALENT.

PART NO	STG	REV	N/P	STATUS	MAT'L SIZE	MAT'L SPEC	PART NO	STG	REV	N/P	STATUS	MAT'L SIZE	MAT'L SPEC	SIZE (MM²)	ID	DIA	TYPE	
					15317332	R 03 AA						0.406 X 33.32	M363902B NONFERROUS C70250 TMOO	6-4	10	5.24	104	
					15317331	R 03 AA						0.406 X 33.32	M157402B NONFERROUS C42500 EX HD	6-4	10	5.24	103	
					15305232	R 02 AA						0.406 X 33.32	M363902B NONFERROUS C70250 TMOO	5-3	11	5.24	101	
					12052458	R F -	OBSOLETE					0.406 X 33.32	P151902B 425 TIN BRS EX HD SN PLTD	3	12	4.9	101	
					12052457	R 08 AA						0.406 X 33.32	M157402B NONFERROUS C42500 EX HD	0.8-0.5	19	2.68	102	
					12052456	R 09 AA						0.406 X 33.32	M157402B NONFERROUS C42500 EX HD	5-3	11	5.24	101	
					12052455	R 07 AA						0.406 X 33.32	M157402B NONFERROUS C42500 EX HD	2-1	15	3.59	101	
																	3.7 ± 0.4	19.79 ± 0.3

(13) PROCESS SENSITIVE DIMENSION	
DIMENSIONS ENCLOSED IN () INDICATE REFERENCE DIMENSIONS AND NO TOLERANCE LIMITS ARE ESTABLISHED	
DIMENSIONAL RANGE (MM)	CHART D
FROM + 0	>12
TO - 0	>12
TOLERANCE UNLESS OTHERWISE SPECIFIED	
+0.1	+0.2
ANGULAR TOLERANCE 32°	

DWG TYPE		PART DRAWING	
STYLE		DISTR CODE	D
VOLUME 104/1			
UNLESS OTHERWISE SPECIFIED			
THIS DOCUMENT IS IN ACCORDANCE WITH ASME Y14.9M-1994 AS MODIFIED BY THE IN CHARGE, DIMENSIONAL AND TOLERANCE PRACTICES. ALL DIMENSIONS ARE TO UNLESS OTHERWISE SPECIFIED. DIMENSIONS ARE ESTABLISHED BY ORIENTATION OR LOCATION TOLERANCES. SPACED PARTITION CALLOUTS MAY BE SHOWN SEPARATELY, REGARDLESS OF DATUM REFERENCE. ALL DIMENSIONS ARE IN MILLIMETERS.			
THIRD ANGLE PROJECTION	DO NOT SCALE	USE MATH DATA	UNIMAPHIS

DELPHI
DELPHI PACKARD ELECTRIC SYSTEMS
WARREN, OH

DR	DATE
APV01 ANDY T. LE	22JL88
APV02 J. COLDSNOW	22JL88
APV03 R. D. KEARNS	31AUB8
APV04	
APV05	

MATERIAL: SUBSTANCES OF CONCERN AND RECYCLED CONTENT PER DELPHI 10949001

SEE CHART

DRAWING NAME: TAXI TERM F/M/P 630 SEALED TANG

DRAWING NUMBER: 12088013

SIZE	SCALE	FRAME NO	SHEET NO	REV	N/P
A0	10:1	11	1	1	3 R 07

X-ON Electronics

Largest Supplier of Electrical and Electronic Components

Click to view similar products for [Automotive Connectors](#) category:

Click to view products by [Delphi](#) manufacturer:

Other Similar products are found below :

[003-018-000](#) [600858](#) [60403001](#) [60993906-B](#) [60993913-B](#) [629515004020001](#) [M902-2131](#) [M902-2161](#) [M902-2344](#) [72.330.1035.1](#)
[73.353.4028.0](#) [F118010](#) [F119300-B](#) [F132210](#) [F132210-B](#) [F166900](#) [F180100](#) [F258300](#) [F258300-B](#) [F294300-B](#) [F339100](#) [F339700](#) [F358300-](#)
[B](#) [F374110](#) [F407400](#) [F412210](#) [F427600](#) [F444110](#) [F487000](#) [F495100-B](#) [F500900-B](#) [F509500B-B](#) [770444-1](#) [776880-1](#) [827153-1](#) [881735-1](#)
[8N1515-32-24P](#) [9-1326727-8](#) [9-1326729-8](#) [925467-1](#) [925474-1](#) [928905-1](#) [936398-2](#) [964562-1](#) [964562-4](#) [964731-2](#) [965051-1](#) [968782-1](#)
[GT17SA-8DS-HU](#) [GT17VS-10DP-5.2CF](#)