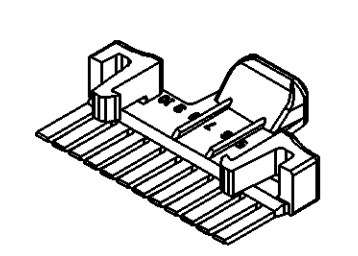
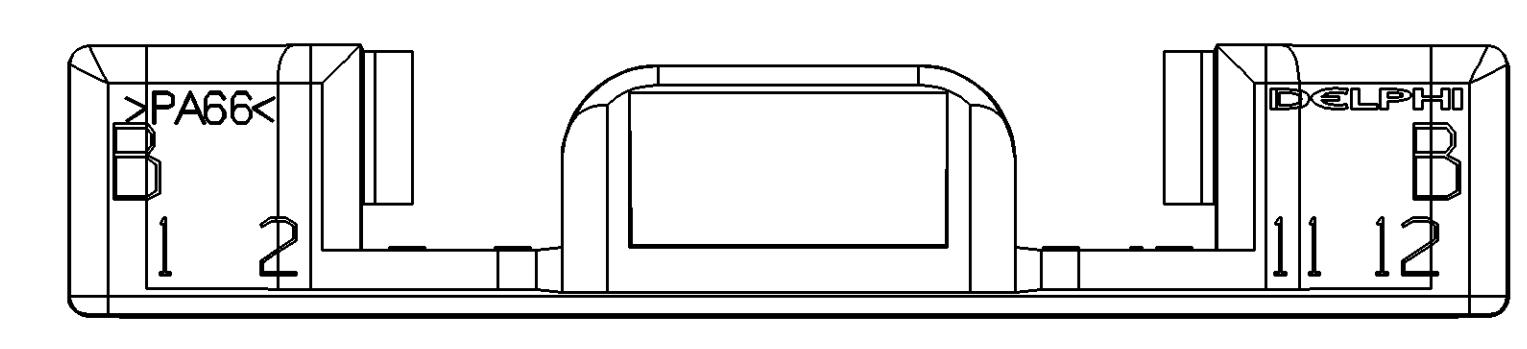
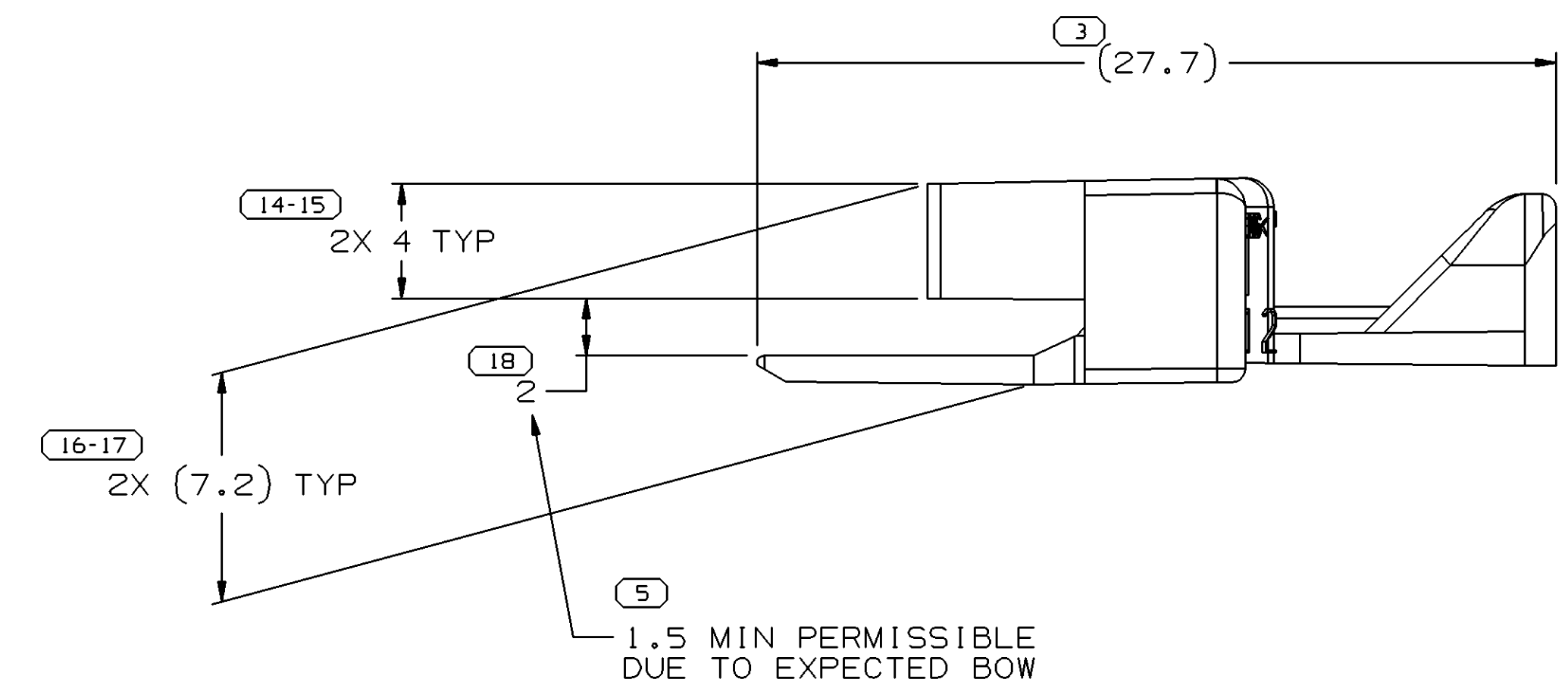
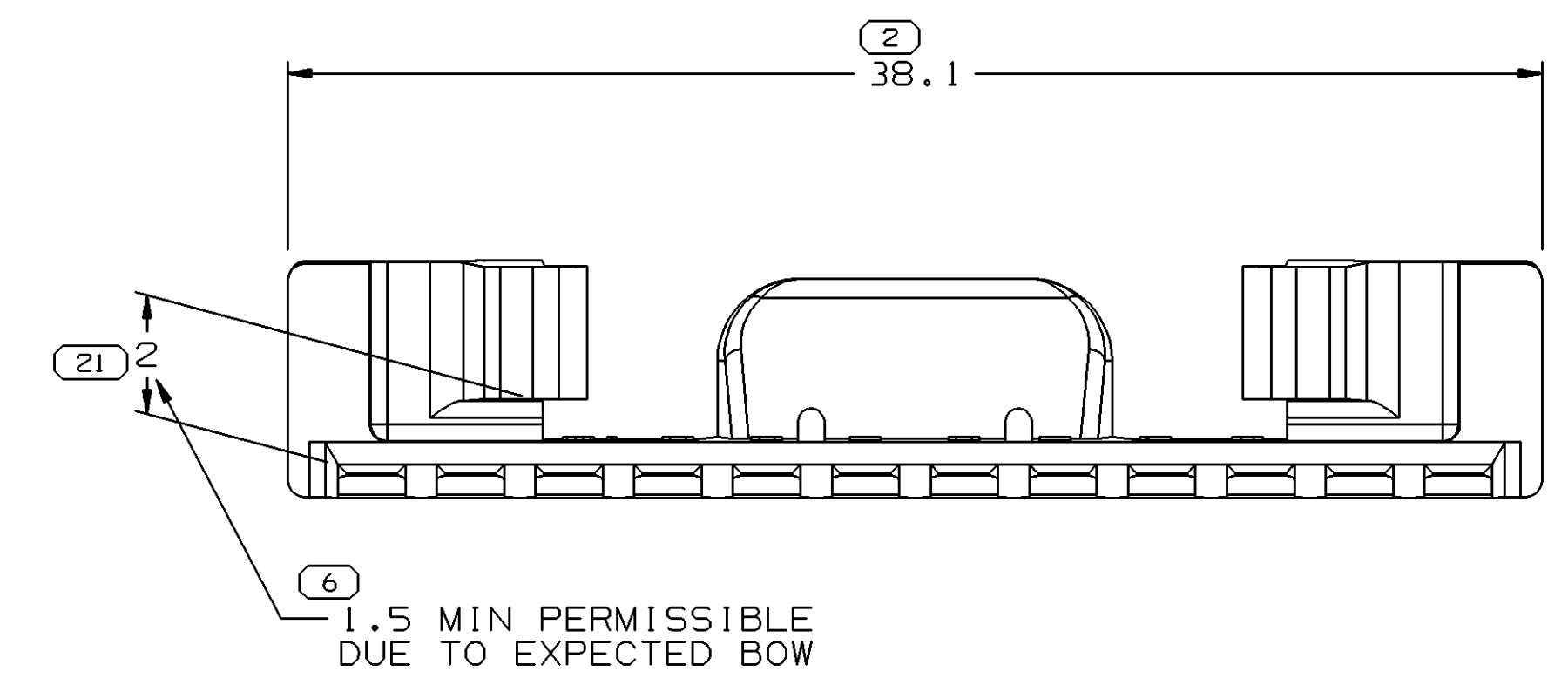
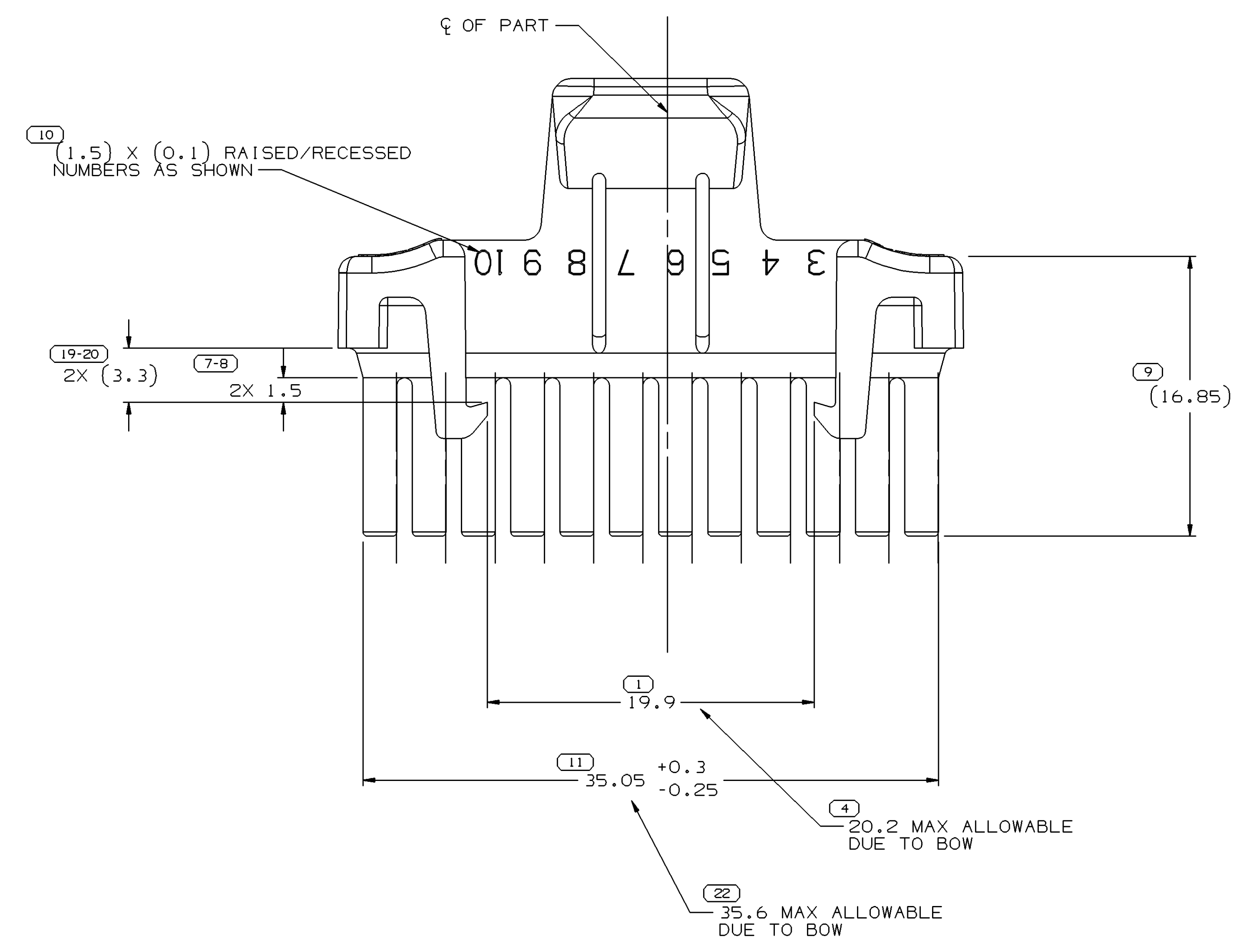
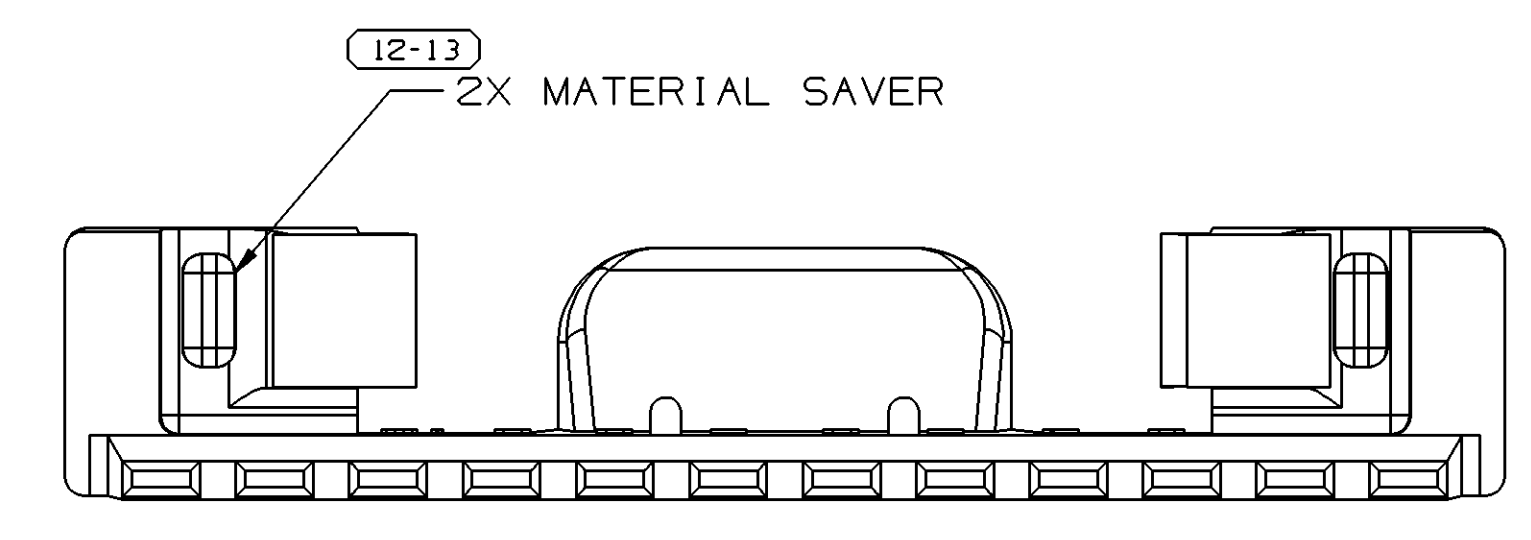


SYMBOL DEFINITION		MISSING NUMBERS		DWG STATUS				REVISION HISTORY				AUTH	DR	APVD	APVD		
DATE	STG	REV	W/P	CHG	ZONE	DATE	STG	REV	W/P	CHG	ZONE	DATE	STG	REV	W/P	CHG	ZONE
260000	R	04	-	-		203529	JLZ	RVP	60			203529	JLZ	RVP	60		
11FE02	R	05	-	-		204557	JOR	E0V	60			204557	JOR	E0V	60		
15JUL03	R	06	-	-		242061	JYD	JYD	60			242061	JYD	JYD	60		
05AUG03	R	06	AA	-		244343	LFS	RVP	60			244343	LFS	RVP	60		
17NOV04	R	06	AB	-		261007	CJP	CJP	MB			261007	CJP	CJP	MB		



- NOTES
- UNLESS OTHERWISE SPECIFIED AND/OR INDICATED: DIMENSIONS ARE TO FACE OF VIEW SHOWN AND AUTOMATICALLY ROUNDED BY COMPUTER FOR INSPECTION (SEE MATH MODEL FOR PRECISE DIMENSIONS). FOR ALL OTHER DIMENSIONS NOT SHOWN BUT REQUIRED FOR TOOL BUILD, SEE MATH MODEL FOR PRECISE TOOL PATH DATA.
  - MATING COMPONENTS OR EQUIVALENT: CONNECTOR 12047946
  - THIS TPA HAS A POSSIBLE RATTLE CONDITION. SPOT TAPE MAY BE ADDED TO TPA AND ADJACENT CABLES TO PREVENT RATTLE IN CUSTOMER SENSITIVE AREAS OF THE VEHICLE.
  - MATERIAL RECYCLING CODE PER ISO 11469. (2.3)X(0.1) CHARACTERS AS SHOWN TO BE LOCATED ON ANY EXTERIOR SURFACE.
  - (2.3)X(0.1) DELPHI CORPORATE BRAND TO BE LOCATED ON ANY EXTERIOR SURFACE, PREFERABLY VISIBLE AT FINAL ASSEMBLY. OPTIONAL CONSTRUCTION TO BE "PED".

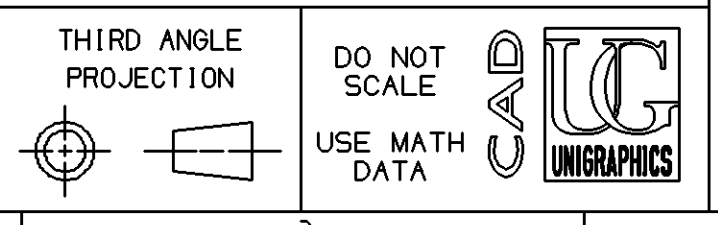


OPTIONAL CONSTRUCTION

DWO TYPE		PART DRAWING	
STYLE		DISTR CODE	D
VOLUME (COP)	1.498		

DELPHI	
DELPHI PACKARD ELECTRIC SYSTEMS WARREN, OH	
DR	DATE
APVD1 P. YABUR	27DE93
APVD2 P. YABUR	27DE93
APVD3 T. STEELE	10FE94
APVD4	
APVD5	
SUBSTANCES OF CONCERN AND RECYCLED CONTENT PER DELPHI 10949001	
MATERIAL	
M3592008 PA66 IM HS BLU	
DRAWING NAME	
LOCK TPA MIC/P 100 BLU	
DRAWING NUMBER	
12047901	
SIZE	SCALE
A0	5:1
FRAME NO	SHEET NO
1	1 OF 1
REV	DATE
R	06
APVD	AB

DIMENSIONAL RANGE (MM)		TOLERANCE	
FROM	TO	±	ANGULAR TOLERANCE
> 0	> 20	> 0.10	> 0.10
> 20	> 30	> 0.12	> 0.12
> 30	> 40	> 0.15	> 0.15
> 40	> 50	> 0.20	> 0.20
> 50	> 60	> 0.25	> 0.25
> 60	> 70	> 0.30	> 0.30
> 70	> 80	> 0.35	> 0.35
> 80	> 90	> 0.40	> 0.40
> 90	> 100	> 0.45	> 0.45
> 100	> 150	> 0.50	> 0.50
> 150	> 200	> 0.60	> 0.60
> 200	> 250	> 0.70	> 0.70
> 250	> 300	> 0.80	> 0.80
> 300	> 400	> 1.00	> 1.00



## X-ON Electronics

Largest Supplier of Electrical and Electronic Components

*Click to view similar products for [Automotive Connectors](#) category:*

*Click to view products by [Delphi](#) manufacturer:*

Other Similar products are found below :

[003-018-000](#) [600858](#) [60403001](#) [60993906-B](#) [60993913-B](#) [629515004020001](#) [M902-2131](#) [M902-2161](#) [M902-2344](#) [72.330.1035.1](#)  
[73.353.4028.0](#) [F118010](#) [F119300-B](#) [F132210](#) [F132210-B](#) [F166900](#) [F180100](#) [F258300](#) [F258300-B](#) [F294300-B](#) [F339100](#) [F339700](#) [F358300-](#)  
[B](#) [F374110](#) [F407400](#) [F412210](#) [F427600](#) [F444110](#) [F487000](#) [F495100-B](#) [F500900-B](#) [F509500B-B](#) [770444-1](#) [776880-1](#) [827153-1](#) [881735-1](#)  
[8N1515-32-24P](#) [9-1326727-8](#) [9-1326729-8](#) [925467-1](#) [925474-1](#) [928905-1](#) [936398-2](#) [964562-1](#) [964562-4](#) [964731-2](#) [965051-1](#) [968782-1](#)  
[GT17SA-8DS-HU](#) [GT17VS-10DP-5.2CF](#)