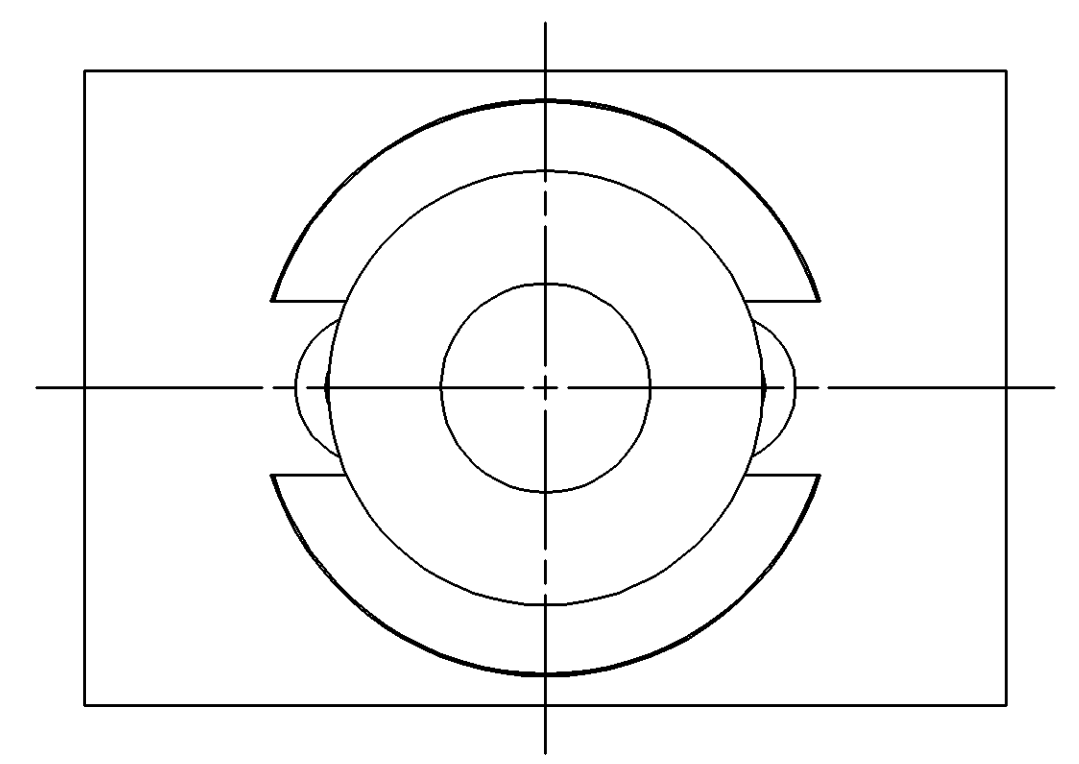
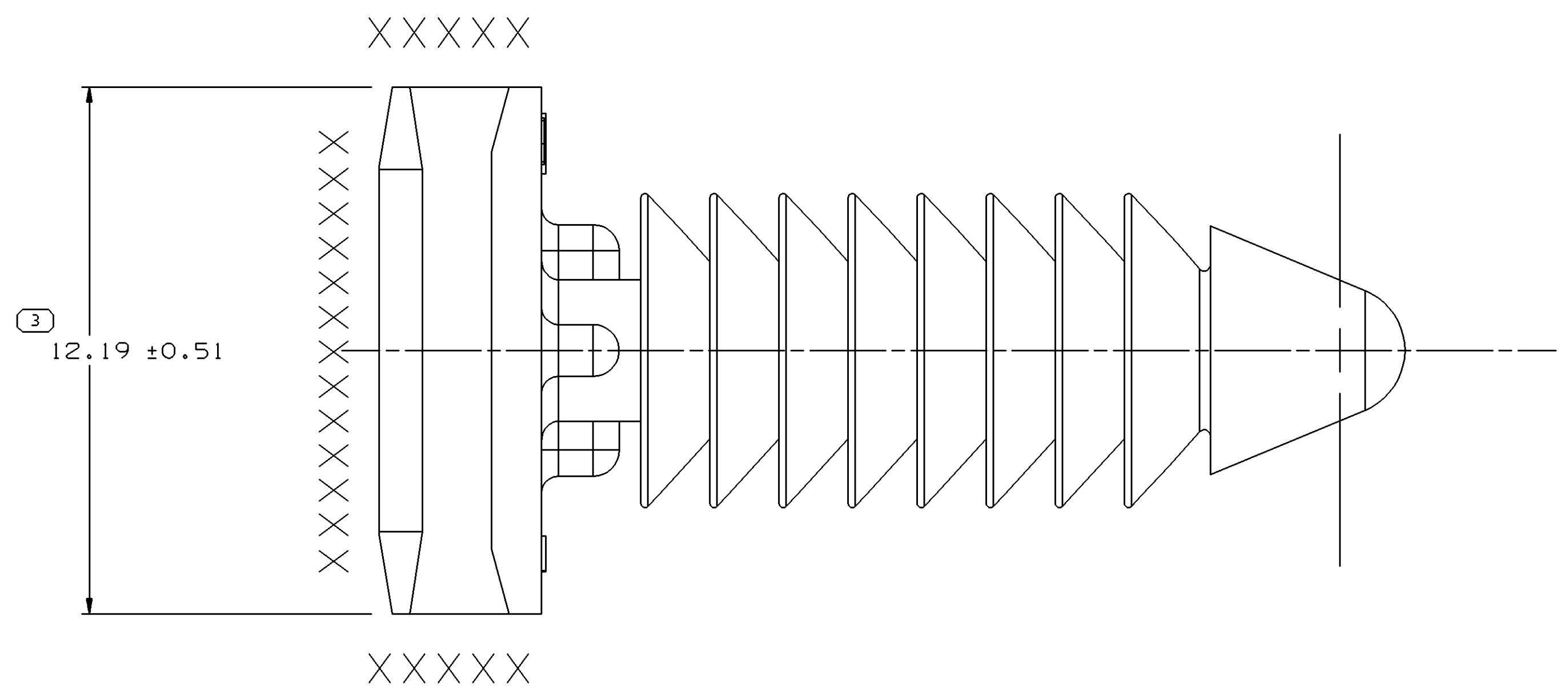
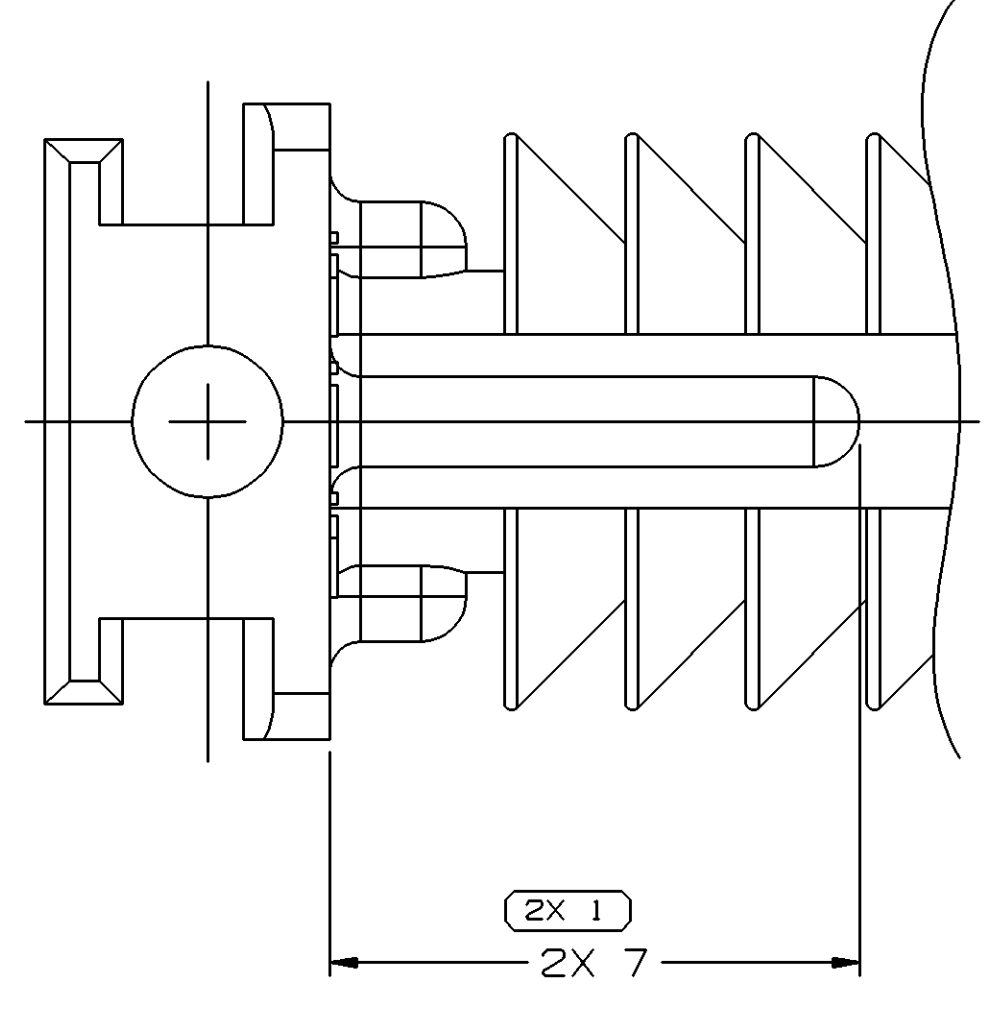
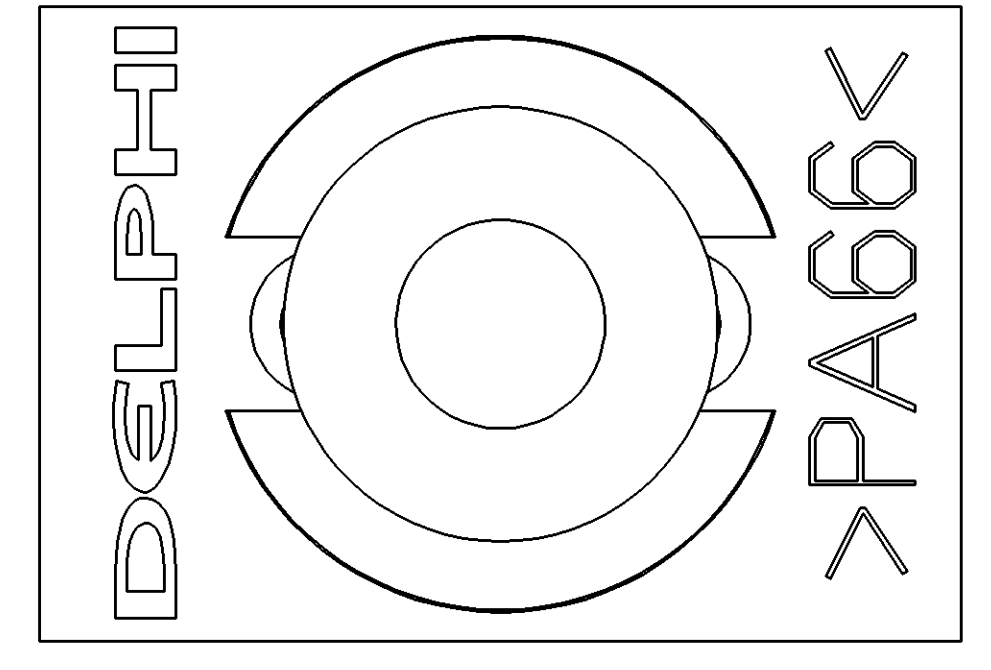
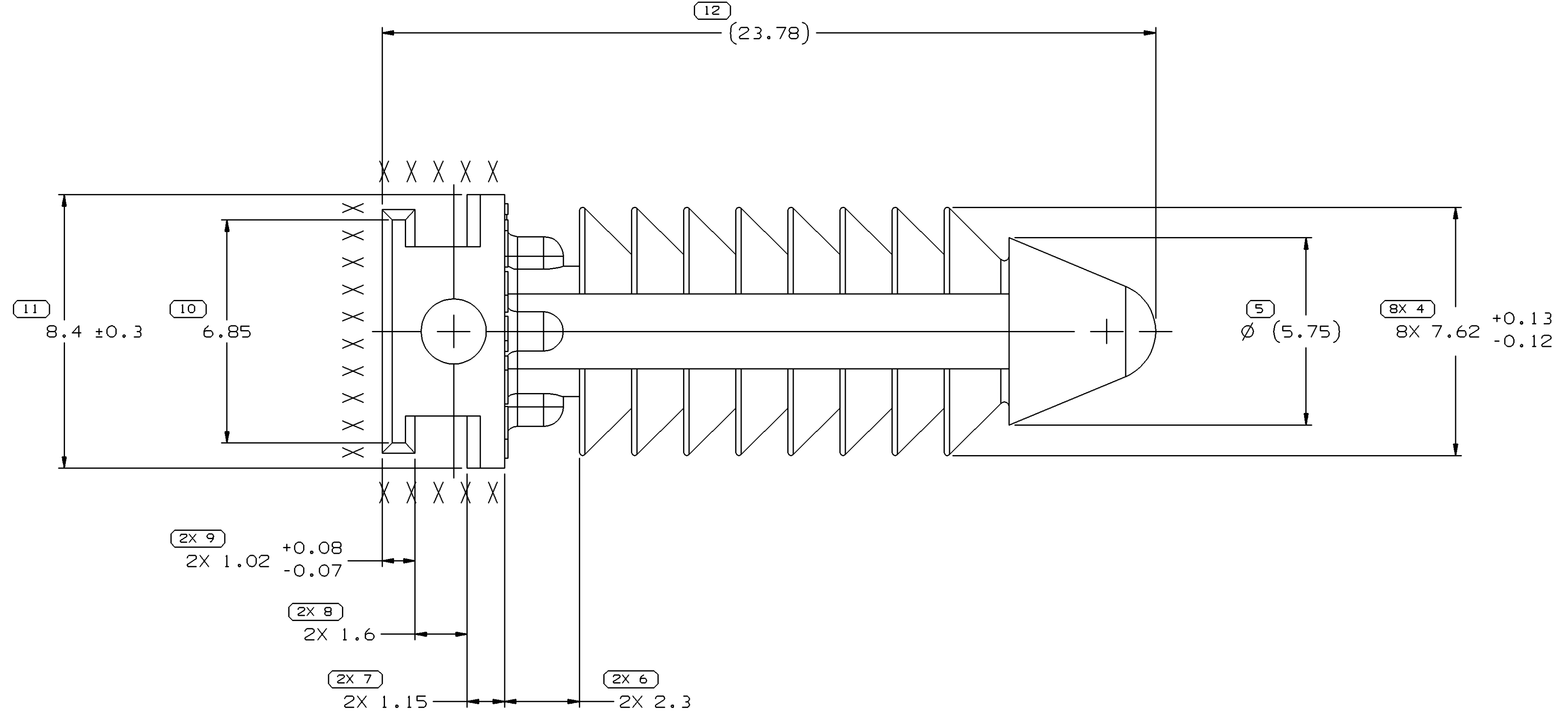
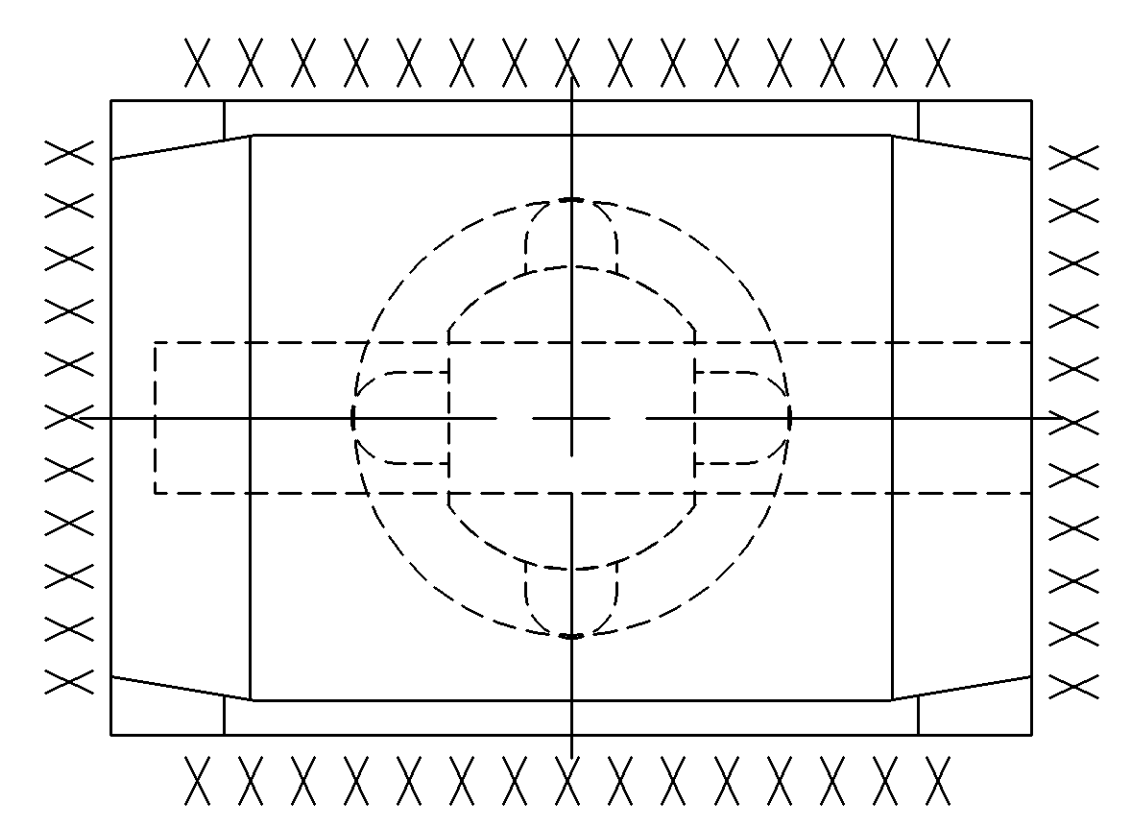


SYMBOL DEFINITION		MISSING SYMBOLS	
A DIMENSION WITHOUT AN INSPECTION REPORT SYMBOL DOES NOT REQUIRE INSPECTION. IT MAY BE CONTROLLED ON THE INDIVIDUAL COMPONENT DRAWING.	TOTAL NO OF INSPECTIONS REQUIRED	24	NO MISSING SYMBOL NUMBER
	LAST NO. USED	12	

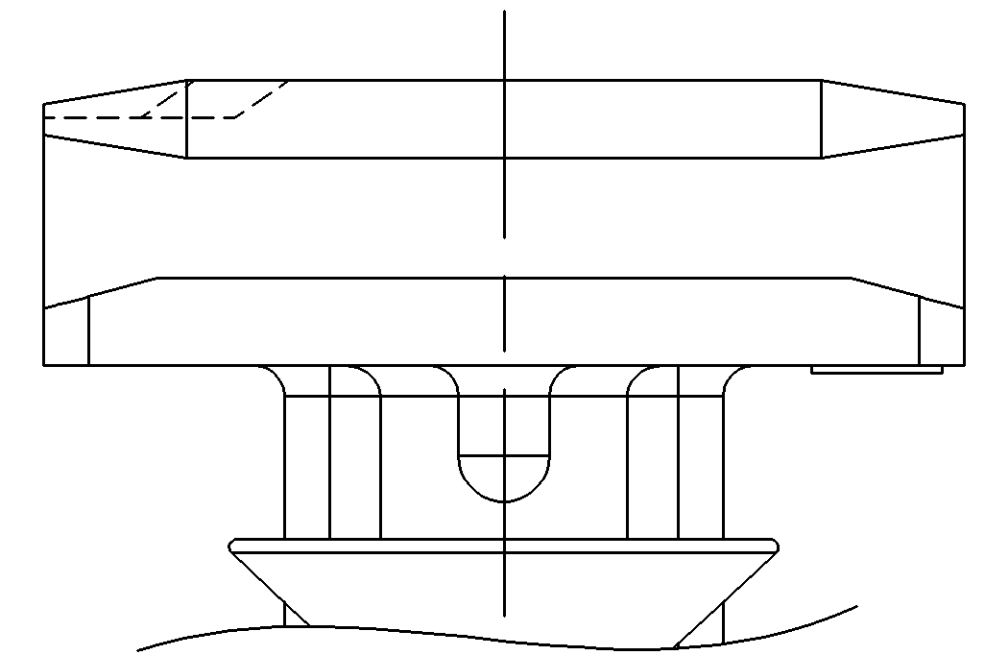
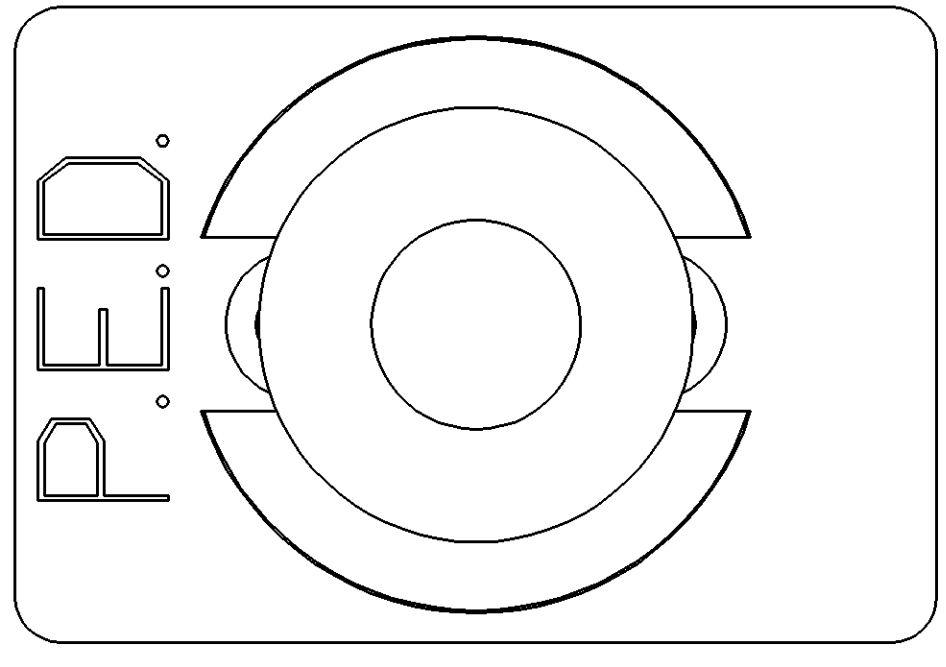
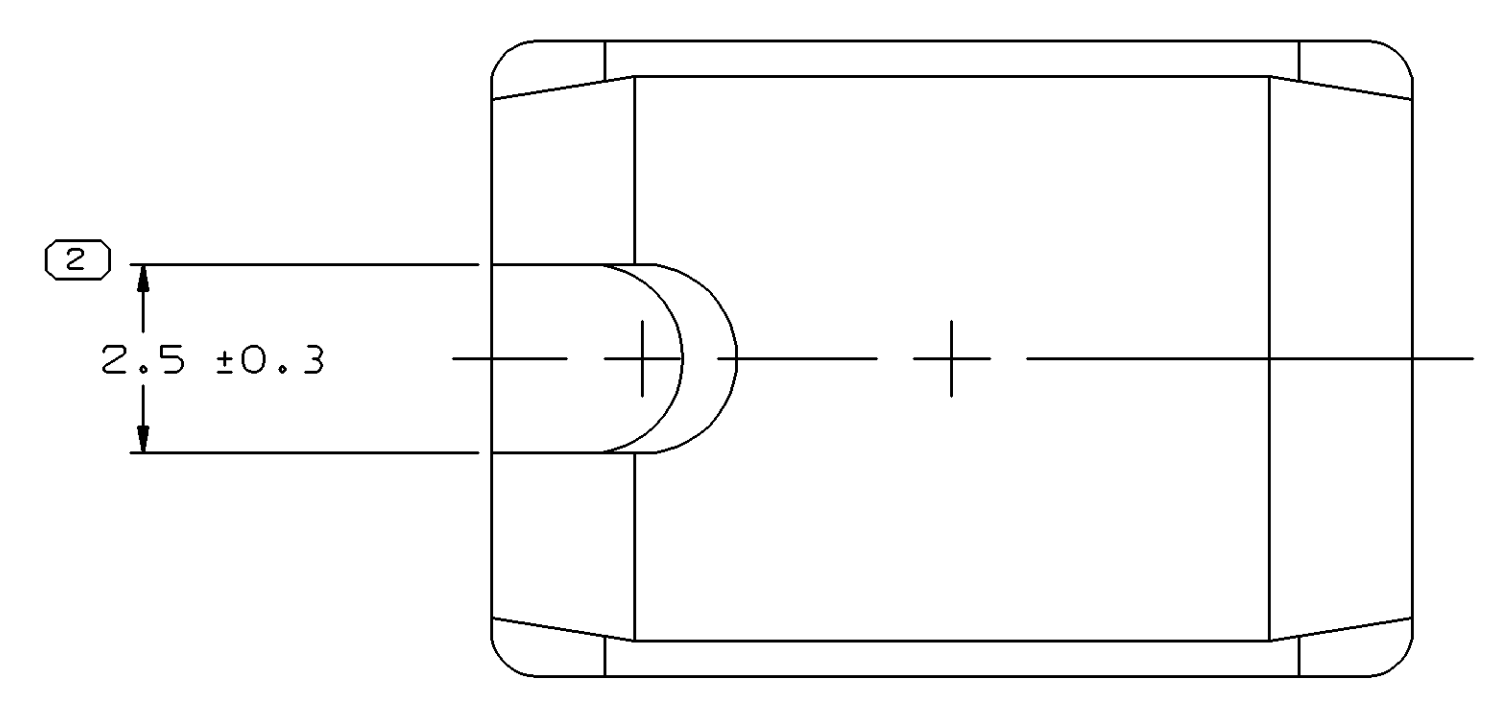
DWO STATUS				REVISION HISTORY		AUTH	DR	APVD
DATE	STG	REV	N/P	CHG	ZONE			
08MR02	R	02	-	-	-	219882	BYP	RVP
13JUN02	R	02	AA	-	-	226535	RH	FR
03JAO5	R	02	AB	-	-	262676	ADK	ADK
24JAO5	R	02	AC	-	-	263762	RH	WTM
23JUN05	R	02	AD	-	-	269480	ECB	AUG



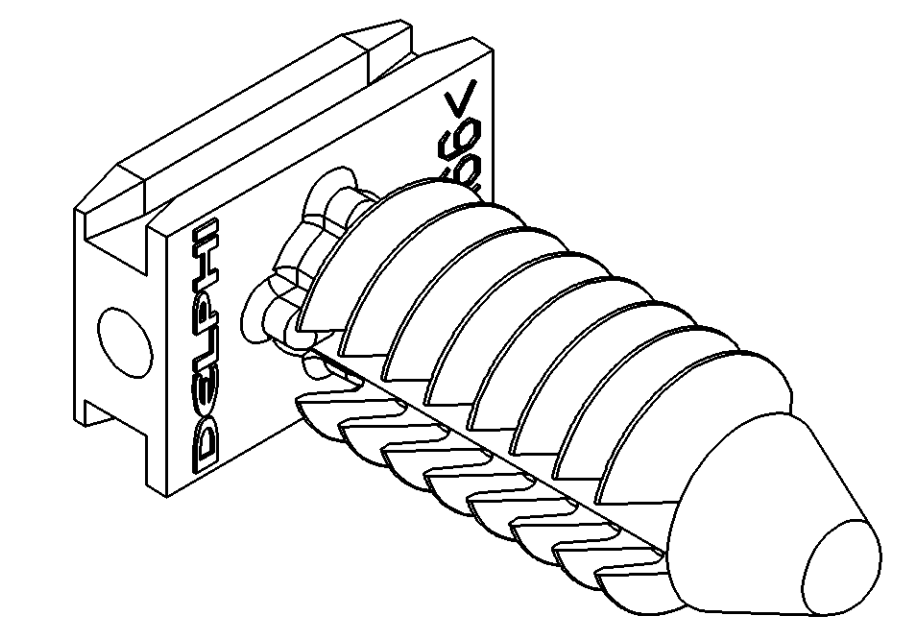
OPTIONAL CONSTRUCTION-NO LOGOS



OPTIONAL CONSTRUCTION ON SUPPORT RIB



OPTIONAL CONSTRUCTION



VIEW SCALE DOES NOT REFLECT ACTUAL PART SIZE

- NOTES
- UNLESS OTHERWISE SPECIFIED AND/OR INDICATED: DIMENSIONS ARE TO FACE OF VIEW SHOWN AND AUTOMATICALLY ROUNDED BY COMPUTER FOR INSPECTION (SEE MATH MODEL FOR PRECISE DIMENSIONS). FOR ALL OTHER DIMENSIONS NOT SHOWN BUT REQUIRED FOR TOOL BUILD, SEE MATH MODEL FOR PRECISE TOOL PATH DATA.
 - MATERIAL RECYCLING CODE PER ISO 11469. (1,4)X(0,1) CHARACTERS AS SHOWN TO BE LOCATED ON ANY EXTERIOR SURFACE.
 - THIS PART IS CONTROLLED FOR AUTOMATIC FEEDING, FLASH, GATES OR ANY TYPE OF PROTRUSIONS ARE NOT PERMISSIBLE ON AREAS INDICATED BY X X X X X'S.
 - (0,8)X(0,1) DELPHI CORPORATE BRAND TO BE LOCATED ON ANY EXTERIOR SURFACE, PREFERABLY VISIBLE AT FINAL ASSEMBLY. OPTIONAL CONSTRUCTION TO BE "PED".
 - RECOMMENDED HOLE SIZE 6.1-7 DIA HOLE IN 8 MAX THICK STOCK.
 - GATE DESIGNS CAN VARY AND BE OPTIONAL, THEY SERVE AS A FUNCTION FOR TOOL DESING CRITERIA ONLY.

DWO TYPE: PART DRAWING		DATE	
STYLE	DISTR CODE: D	DR: B. PADILLA	08MR02
VOLUME (OP): 0,619		APVD2: R. VILLANUEVA	26MR02
		APVD3: F. ROMERO	05AF02
		APVD4:	
		APVD5:	
UNLESS OTHERWISE SPECIFIED		SUBSTANCES OF CONCERN AND RECYCLED CONTENT PER DELPHI-A 10949001	
THIS DOCUMENT IS IN ACCORDANCE WITH ASME Y14.5M-1994 AS AMENDED BY THE 2003 DIMENSIONING AND TOLERANCING ADDENDUM - 1997. ALL GEOMETRIC TOLERANCES AND RELATED DATUM APPL. TO ALL DIMENSIONS UNLESS OTHERWISE SPECIFIED.		MATERIAL: M3592001 PA66 HS 1M BLK	
MDCI DOES NOT APPLY WHEN RELATIONSHIP BETWEEN FEATURES IS ESTABLISHED BY ORIENTATION OR LOCATION TOLERANCES. SEPARATE POSITION CALLOUTS MAY BE GAGED SEPARATELY, REGARDLESS OF DATUM REFERENCE.		DRAWING NAME: MOUN CLIP CONN NAIL	
ALL DIMENSIONS ARE IN MILLIMETERS		DRAWING NUMBER: 12047835	
REFERENCE:		SIZE: AO	
DIMENSIONAL RANGE (MM)		SCALE: 10:1	
FROM: > 0	> 20	> 30	> 70
TO: 20	30	70	100
	100	150	200
	200	250	300
	300	400	
TOLERANCE UNLESS OTHERWISE SPECIFIED		FRAME NO: 1 OF 1	
±0,15 ±0,2 ±0,3 ±0,4 ±0,5 ±0,6 ±0,8 ±1 ±1,2		SHEET NO: 1 OF 1	
ANGULAR TOLERANCE: ±2°		REV: R	
		QD: AD	

DELPHI
DELPHI PACKARD ELECTRIC SYSTEMS
WARREN, OH

X-ON Electronics

Largest Supplier of Electrical and Electronic Components

Click to view similar products for [Automotive Connectors](#) category:

Click to view products by [Delphi](#) manufacturer:

Other Similar products are found below :

[003-018-000](#) [600858](#) [60403001](#) [60993906-B](#) [60993913-B](#) [629515004020001](#) [M902-2131](#) [M902-2161](#) [M902-2344](#) [72.330.1035.1](#)
[73.353.4028.0](#) [F118010](#) [F119300-B](#) [F132210](#) [F132210-B](#) [F166900](#) [F180100](#) [F258300](#) [F258300-B](#) [F294300-B](#) [F339100](#) [F339700](#) [F358300-](#)
[B](#) [F374110](#) [F407400](#) [F412210](#) [F427600](#) [F444110](#) [F487000](#) [F495100-B](#) [F500900-B](#) [F509500B-B](#) [770444-1](#) [776880-1](#) [827153-1](#) [881735-1](#)
[8N1515-32-24P](#) [9-1326727-8](#) [9-1326729-8](#) [925467-1](#) [925474-1](#) [928905-1](#) [936398-2](#) [964562-1](#) [964562-4](#) [964731-2](#) [965051-1](#) [968782-1](#)
[GT17SA-8DS-HU](#) [GT17VS-10DP-5.2CF](#)