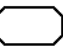
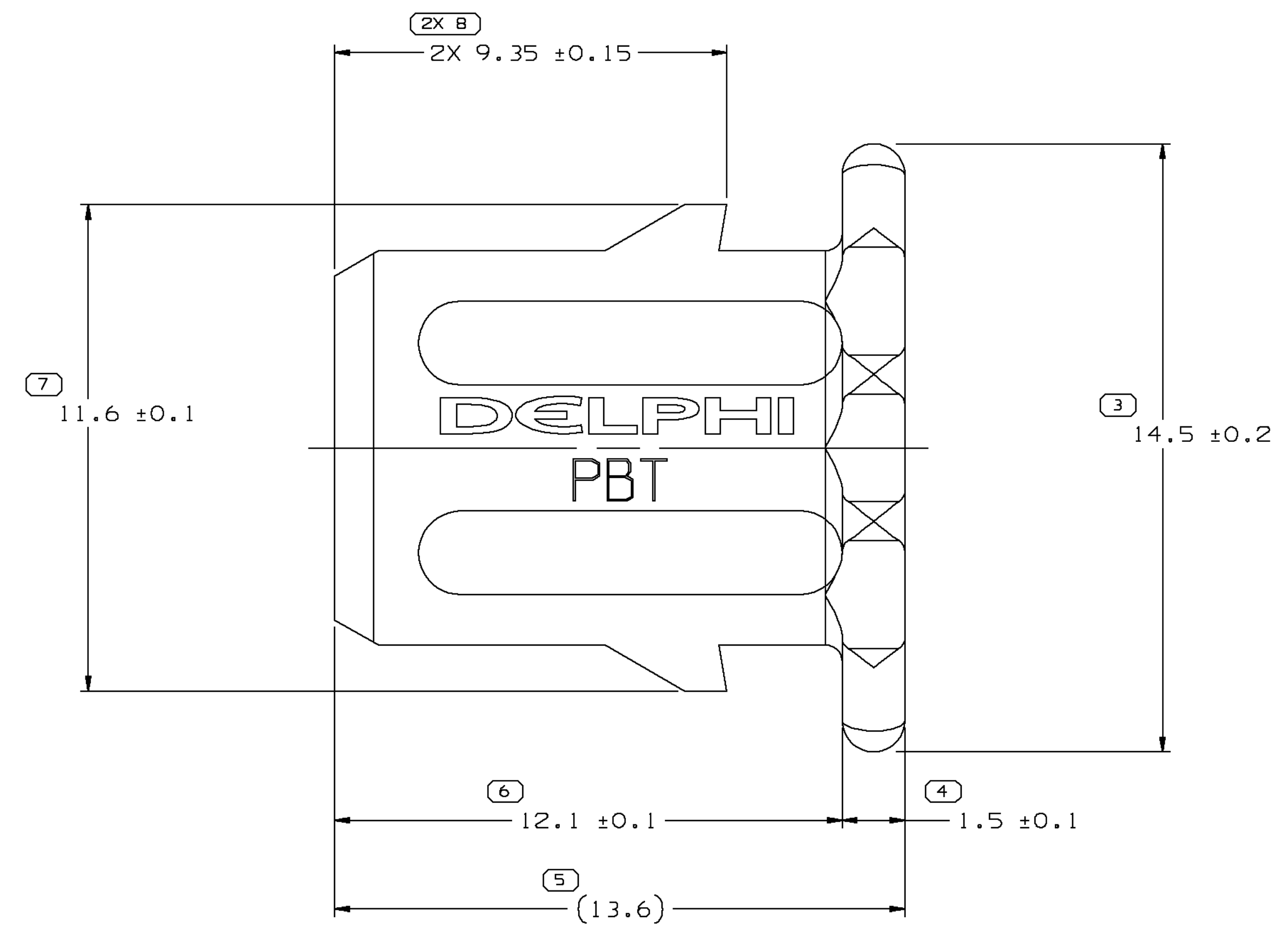
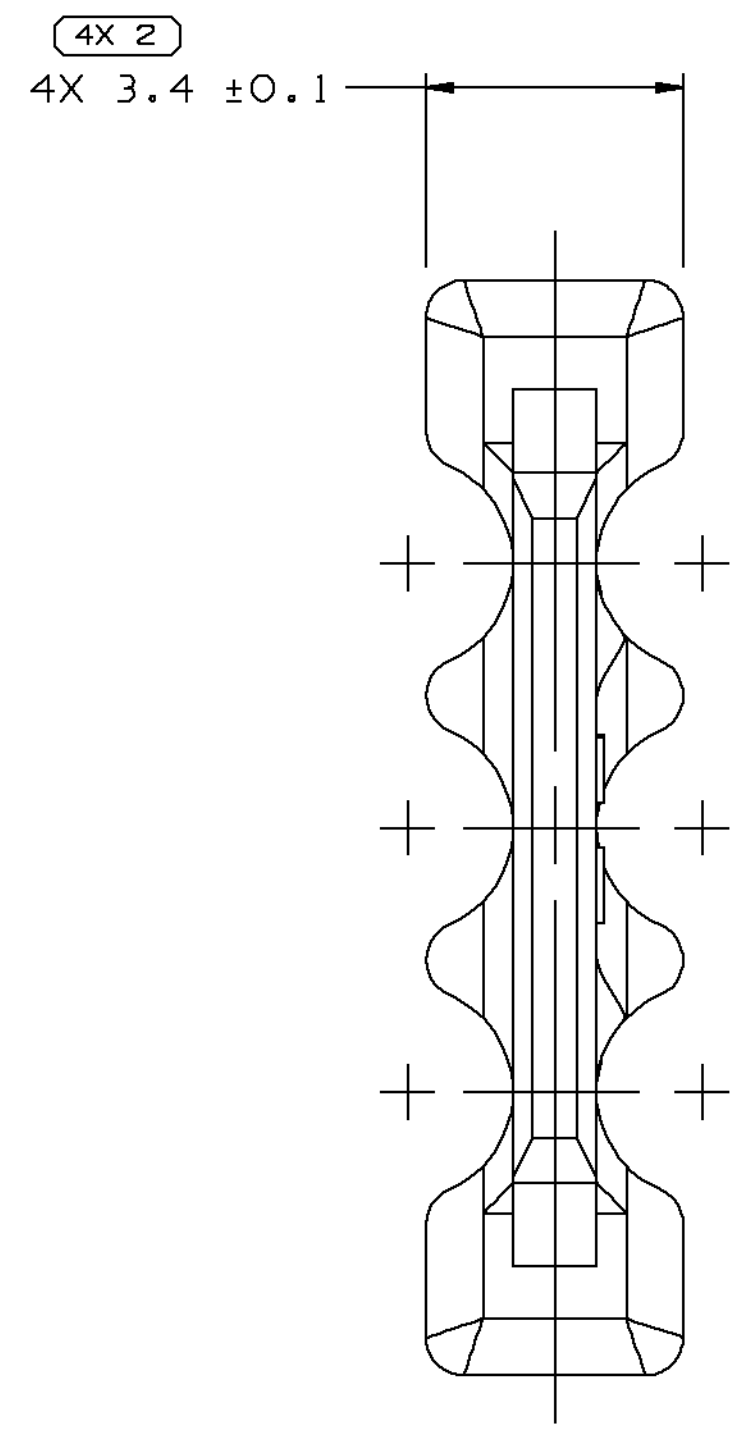
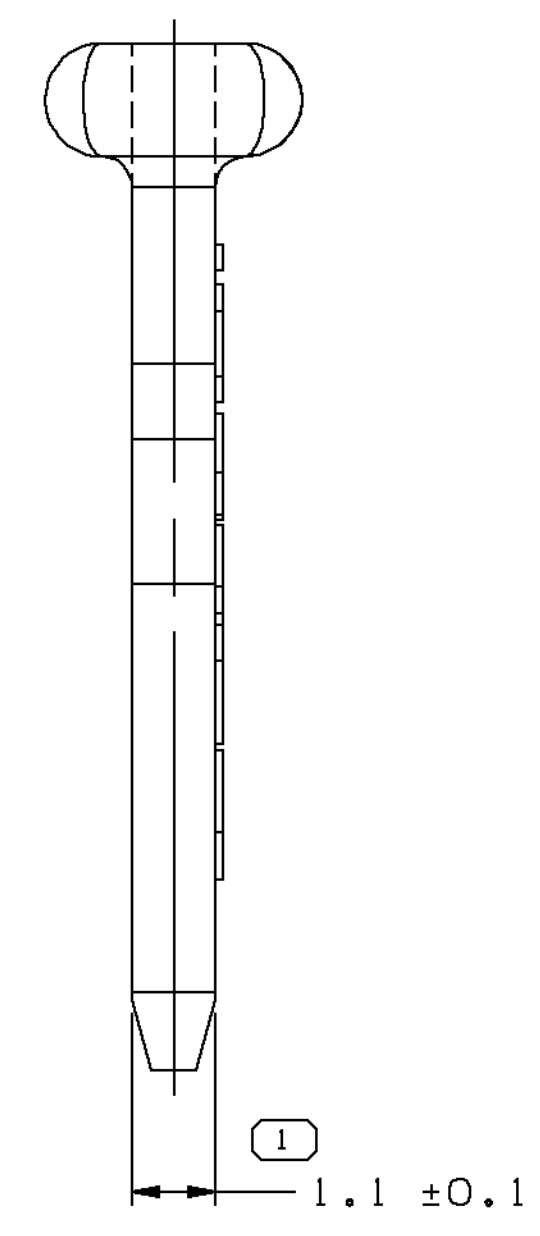


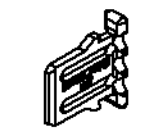
| SYMBOL DEFINITION | | MISSING SYMBOLS | |
|---|----------------------------------|--------------------------|----|
| A DIMENSION WITHOUT AN INSPECTION REPORT SYMBOL  DOES NOT REQUIRE INSPECTION. IT MAY BE CONTROLLED ON THE INDIVIDUAL COMPONENT DRAWING. | TOTAL NO OF INSPECTIONS REQUIRED | NO MISSING SYMBOL NUMBER | 12 |
| | LAST NO. USED | | 8 |

| DWG STATUS | | | | | ZONE | REVISION HISTORY | AUTH | DR | APVD1 | APVD2 |
|------------|-----|-----|-----|-----|------|---|--------|-----|-------|-------|
| DATE | STG | REV | N/P | CHG | | | | | | |
| 28FE03 | R | C2 | - | - | | CLEARED REV COL, REDRAWN TO PD, MAT'L SPEC WAS R0100109 PBT GRA AND ADDED LOGO CONST & MAT'L RECYCLING CODE NOTES | 234419 | EOV | EOV | ET |



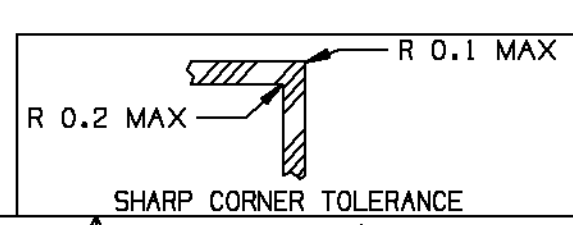
NOTES

- UNLESS OTHERWISE SPECIFIED AND/OR INDICATED: DIMENSIONS ARE TO FACE OF VIEW SHOWN AND AUTOMATICALLY ROUNDED BY COMPUTER FOR INSPECTION (SEE MATH MODEL FOR PRECISE DIMENSIONS). FOR ALL OTHER DIMENSIONS NOT SHOWN BUT REQUIRED FOR TOOL BUILD, SEE MATH MODEL FOR PRECISE TOOL PATH DATA.
- MATERIAL RECYCLING CODE >PBT< PER SAE J1344. (2.3)X(0.1) RAISED CHARACTERS AS SHOWN TO BE LOCATED ON ANY EXTERIOR SURFACE. OPTIONAL CONSTRUCTION TO BE NO MATERIAL RECYCLING CODE.
- MATING COMPONENTS OR EQUIVALENT: CONNECTOR 12047782
- (2.3)X(0.1) RAISED DELPHI CORPORATE BRAND TO BE LOCATED ON ANY EXTERIOR SURFACE, PREFERABLY VISIBLE AT FINAL ASSEMBLY. OPTIONAL CONSTRUCTION TO BE "PED" OR NO LOGO.



 PROCESS SENSITIVE DIMENSION

DIMENSIONS ENCLOSED IN () INDICATE REFERENCE DIMENSIONS AND NO TOLERANCE LIMITS ARE ESTABLISHED



| DIMENSIONAL RANGE (MM) | | CHART E1 | |
|------------------------|-------|--------------------------------------|-----------|
| FROM | TO | TOLERANCE UNLESS OTHERWISE SPECIFIED | REFERENCE |
| > 0 | > 20 | ± 0.15 | ± 1 |
| > 20 | > 30 | ± 0.2 | ± 1.2 |
| > 30 | > 70 | ± 0.3 | |
| > 70 | > 100 | ± 0.4 | |
| > 100 | > 150 | ± 0.5 | |
| > 150 | > 200 | ± 0.6 | |
| > 200 | > 250 | ± 0.8 | |
| > 250 | > 300 | ± 1 | |
| > 300 | > 400 | ± 1.2 | |

| | |
|---|-----------------|
| DWG TYPE PART DRAWING | |
| STYLE | |
| VOLUME (CM ³) 0.133 | DISTR CODE D |
| ROUTING 6900 | |
| UNLESS OTHERWISE SPECIFIED THIS DOCUMENT IS IN ACCORDANCE WITH ASME Y14.5M-1994 AS AMENDED BY THE GM GLOBAL DIMENSIONING AND TOLERANCING ADDENDUM - 1997. ALL GEOMETRIC TOLERANCES AND RELATED DATUMS APPLY RFS. RULE #1 PERFECT FORM AT MMC DOES NOT APPLY WHEN RELATIONSHIP BETWEEN FEATURES IS ESTABLISHED BY ORIENTATION OR LOCATION TOLERANCES. SEPARATE POSITION CALLOUTS MAY BE GAGED SEPARATELY, REGARDLESS OF DATUM REFERENCE. ALL DIMENSIONS ARE IN MILLIMETERS | |
| THIRD ANGLE PROJECTION | |
| DO NOT SCALE | USE MATH DATA |

DELPHI
DELPHI PACKARD ELECTRIC SYSTEMS
WARREN, OH

| | |
|------------------|--------|
| DR | DATE |
| APVD1 T.L. BOZIS | 26JN86 |
| APVD2 T. MUDREY | 07JL86 |
| APVD3 R. MAGA | 17JL86 |
| APVD4 | |
| APVD5 | |

SUBSTANCES OF CONCERN AND RECYCLED CONTENT PER DELPHI 10949001

MATERIAL
M4695003 PBT GRA

DRAWING NAME
TPA M/P 150

DRAWING NUMBER
12047784

| | | | | | | |
|------------|---------------|--------------------|--------------------|----------|-----------|----------|
| SIZE A1 | SCALE 10:1 | FRAME NO 1 OF 1 | SHEET NO 1 OF 1 | STG R | REV C2 | N/P - |
|------------|---------------|--------------------|--------------------|----------|-----------|----------|

X-ON Electronics

Largest Supplier of Electrical and Electronic Components

Click to view similar products for [Automotive Connectors](#) category:

Click to view products by [Delphi](#) manufacturer:

Other Similar products are found below :

[003-018-000](#) [600858](#) [60403001](#) [60993906-B](#) [60993913-B](#) [629515004020001](#) [M902-2131](#) [M902-2161](#) [M902-2344](#) [72.330.1035.1](#)
[73.353.4028.0](#) [F118010](#) [F119300-B](#) [F132210](#) [F132210-B](#) [F166900](#) [F180100](#) [F258300](#) [F258300-B](#) [F294300-B](#) [F339100](#) [F339700](#) [F358300-](#)
[B](#) [F374110](#) [F407400](#) [F412210](#) [F427600](#) [F444110](#) [F487000](#) [F495100-B](#) [F500900-B](#) [F509500B-B](#) [770444-1](#) [776880-1](#) [827153-1](#) [881735-1](#)
[8N1515-32-24P](#) [9-1326727-8](#) [9-1326729-8](#) [925467-1](#) [925474-1](#) [928905-1](#) [936398-2](#) [964562-1](#) [964562-4](#) [964731-2](#) [965051-1](#) [968782-1](#)
[GT17SA-8DS-HU](#) [GT17VS-10DP-5.2CF](#)