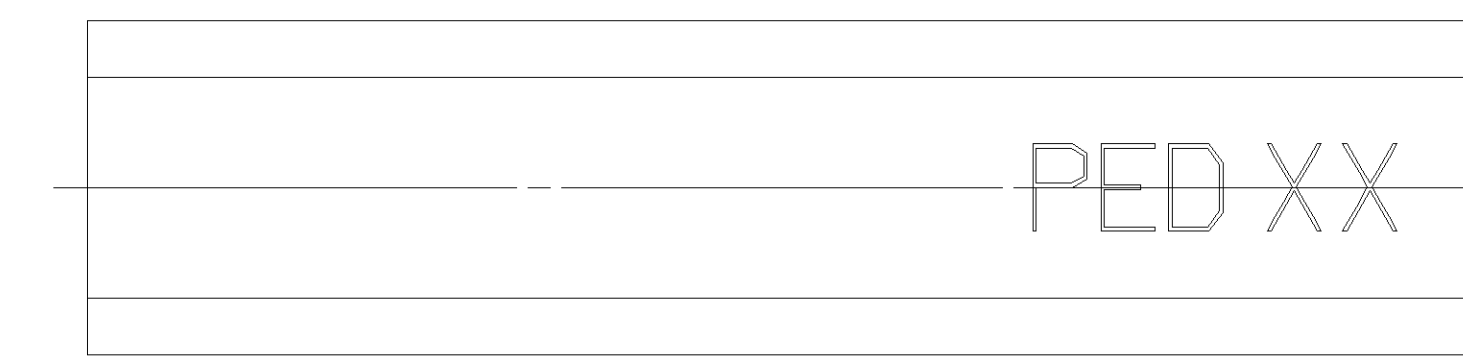
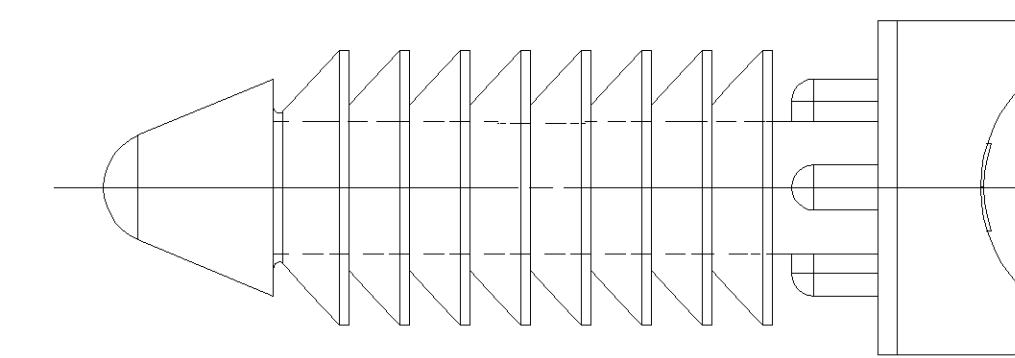
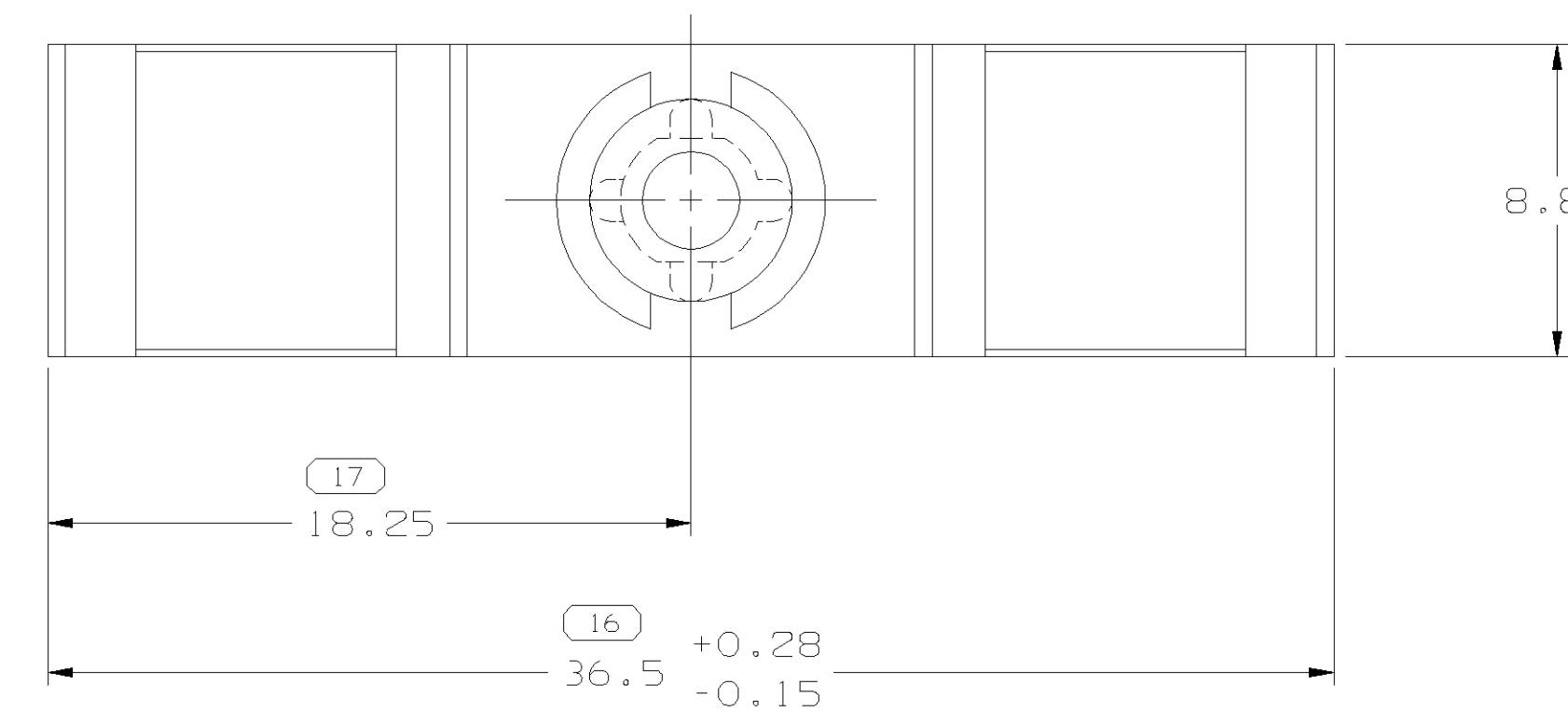
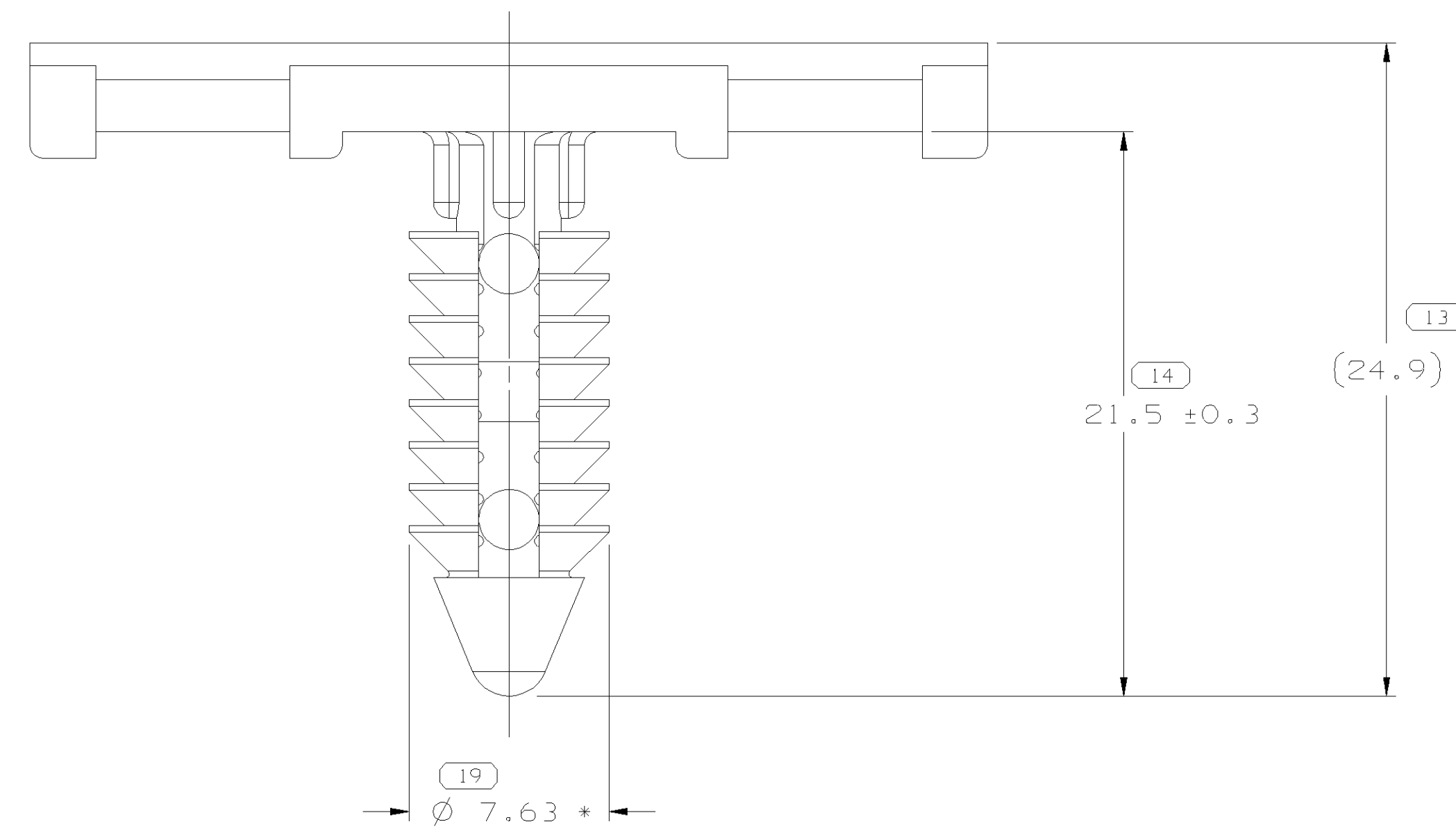


SECTION A-A
OPTIONAL CONSTRUCTION

GATING SURFACE 1 MAX PROTRUSION PERMITTED

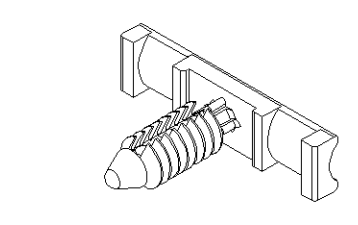


| SYMBOL DEFINITION | | MISSING NUMBERS | |
|---|---------------------------------|-----------------|--|
| A DIMENSION WITHOUT AN INSPECTION REPORT SYMBOL DOES NOT REQUIRE INSPECTION. IT MAY BE CONTROLLED ON AN INDIVIDUAL COMPONENT DRAWING. | TOTAL NO. OF SYMBOLS ON DRAWING | 12 | |
| | LAST NO. USED | 19 | |

| DWG STATUS | | | | | | REVISION HISTORY | | | | AUTH | DR | APVD | APVD |
|------------|-----|-----|-----|-----|------|---------------------------------|--|--|--|--------|-----|------|------|
| DATE | STG | REV | N/P | CHG | ZONE | | | | | | | | |
| 11MR98 | R | B | 10 | - | | CLEARED REV COLUMN & REVISED | | | | 192495 | EFM | JVM | JVM |
| 28JUL04 | R | B | 11 | - | | UPDATED FORMAT & PDM ATTRIBUTES | | | | 257000 | BRB | BRB | SN |

NOTES

- UNLESS OTHERWISE SPECIFIED AND/OR INDICATED; DIMENSIONS ARE TO FACE OF VIEW SHOWN AND AUTOMATICALLY ROUNDED BY COMPUTER FOR INSPECTION. (SEE MATH MODEL FOR PRECISE DIMENSIONS.) FOR ALL OTHER DIMENSIONS NOT SHOWN BUT REQUIRED FOR TOOL BUILD, SEE MATH MODEL FOR PRECISE TOOL PATH DATA.
- RECOMMENDED HOLE SIZE FOR CLIP Ø6.35±0.25 HOLE IN 12.5 MAX THICK STOCK
- DIMENSIONS MARKED WITH * MAY VARY +1.07 DUE TO FLASH



VIEW SCALE 1:1

| PART DRAWING | |
|---|------------|
| STYLE | |
| VOLUME (CPI) | DISTR CODE |
| ROUTING | |
| UNLESS OTHERWISE SPECIFIED | |
| THIS DOCUMENT IS IN ACCORDANCE WITH ASME Y14.5M-1994 AS AMENDED BY THE ON GLOBAL DIMENSIONING AND TOLERANCING ADDENDUM-2003. SEPARATE PATTERNS OF FEATURES MAY BE OBTAINED SEPARATELY REGARDLESS OF REFERENCES. | |
| ALL DIMENSIONS ARE IN MILLIMETERS | |

DELPHI
DELPHI PACKARD ELECTRIC SYSTEMS
WARREN, OH

| DR | DATE |
|-----------|--------|
| M. SENICH | 24JAB8 |
| T. MUDREY | 03FEB8 |
| D. HUFF | 05FEB8 |
| D. HUFF | 05FEB8 |
| | |
| | |

UNLESS OTHERWISE SPECIFIED
SUBSTANCES OF CONCERN AND RECYCLED CONTENT PER DELPHI 10949001

MATERIAL M2097003

DRAWING NAME
MOUN CLIP TAPE ON NAIL

DRAWING NUMBER
12045640

| SIZE | SCALE | FRAME NO | SHEET NO | STG | REV | N/P |
|------|-------|----------|----------|-----|-----|-----|
| A0 | 5:1 | 1 | 1 | 1 | 1 | 1 |

| DIMENSIONAL RANGE (MM) | | CHART LET | |
|------------------------|-------|-----------|-----------|
| FROM | TO | SCALE | PRECISION |
| > 0 | > 20 | > 30 | > 70 |
| > 20 | > 30 | > 100 | > 150 |
| > 30 | > 100 | > 150 | > 200 |
| > 100 | > 150 | > 200 | > 250 |
| > 150 | > 200 | > 250 | > 300 |
| > 200 | > 250 | > 300 | > 400 |

UNLESS OTHERWISE SPECIFIED
DIMENSIONS ENCLOSED IN () INDICATE REFERENCE DIMENSIONS AND NO TOLERANCE LIMITS ARE ESTABLISHED

THIRD ANGLE PROJECTION

DO NOT SCALE
USE MATH DATA

SHARP CORNER TOLERANCE

R 0.2 MAX
R 0.1 MAX

ANGULAR TOLERANCE ±2°

X-ON Electronics

Largest Supplier of Electrical and Electronic Components

Click to view similar products for [Automotive Connectors](#) category:

Click to view products by [Delphi](#) manufacturer:

Other Similar products are found below :

[003-018-000](#) [600858](#) [60403001](#) [60993906-B](#) [60993913-B](#) [629515004020001](#) [M902-2131](#) [M902-2161](#) [M902-2344](#) [72.330.1035.1](#)
[73.353.4028.0](#) [F118010](#) [F119300-B](#) [F132210](#) [F132210-B](#) [F166900](#) [F180100](#) [F258300](#) [F258300-B](#) [F294300-B](#) [F339100](#) [F339700](#) [F358300-](#)
[B](#) [F374110](#) [F407400](#) [F412210](#) [F427600](#) [F444110](#) [F487000](#) [F495100-B](#) [F500900-B](#) [F509500B-B](#) [770444-1](#) [776880-1](#) [827153-1](#) [881735-1](#)
[8N1515-32-24P](#) [9-1326727-8](#) [9-1326729-8](#) [925467-1](#) [925474-1](#) [928905-1](#) [936398-2](#) [964562-1](#) [964562-4](#) [964731-2](#) [965051-1](#) [968782-1](#)
[GT17SA-8DS-HU](#) [GT17VS-10DP-5.2CF](#)