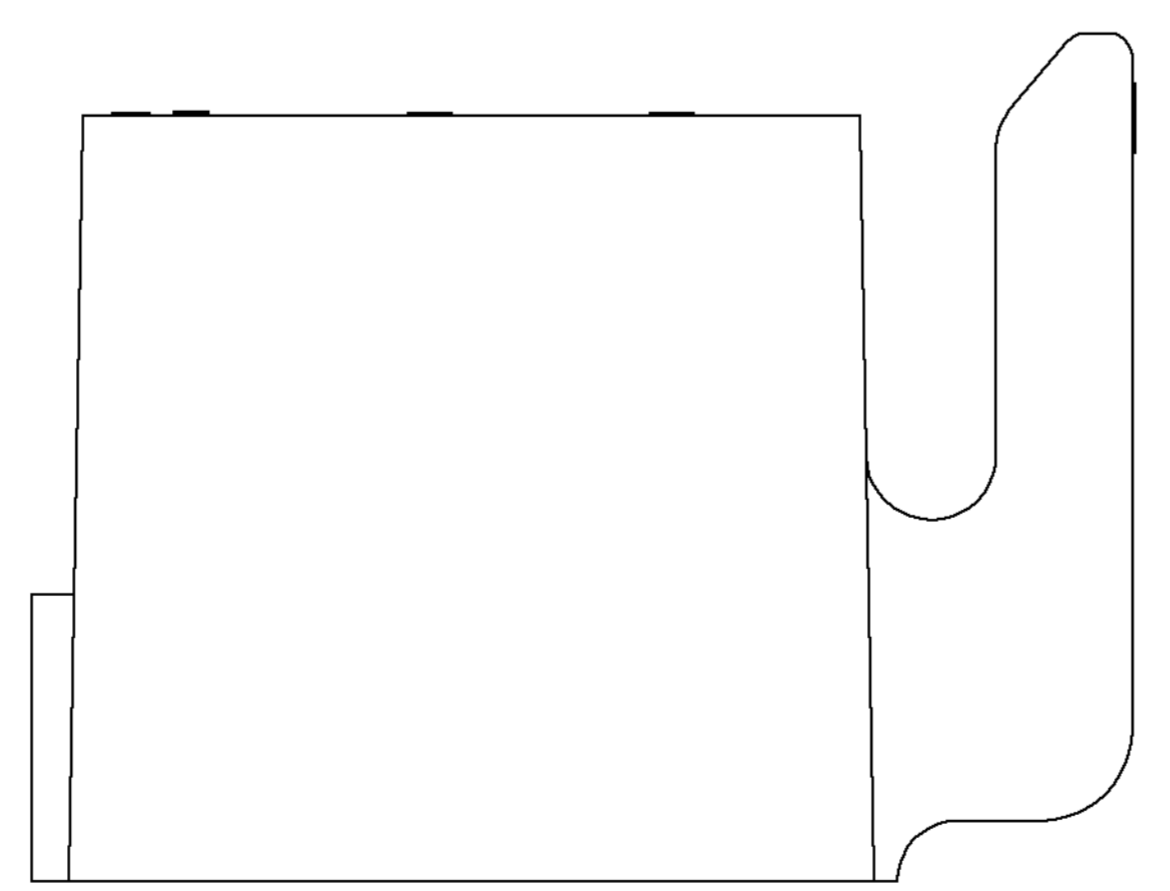
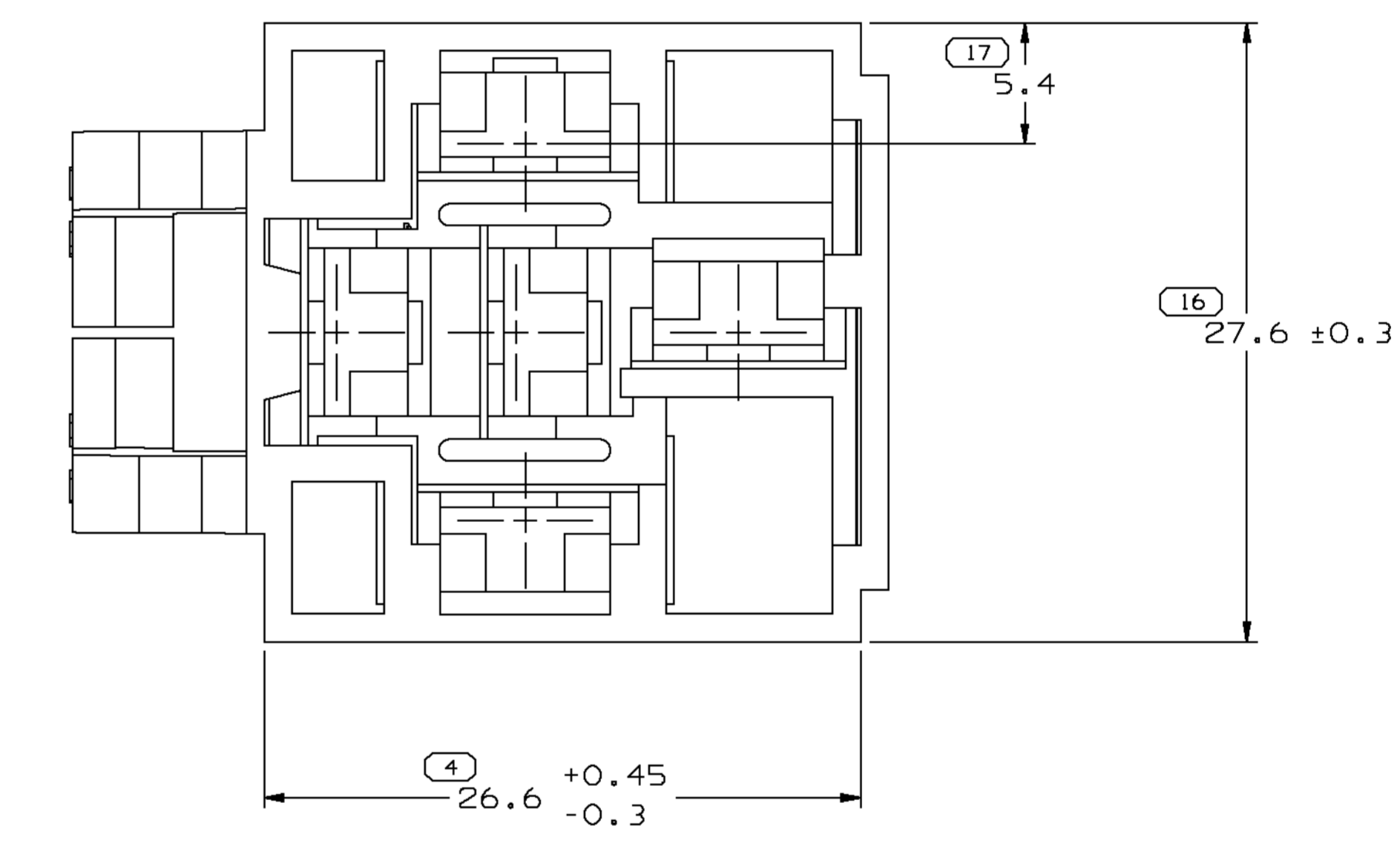
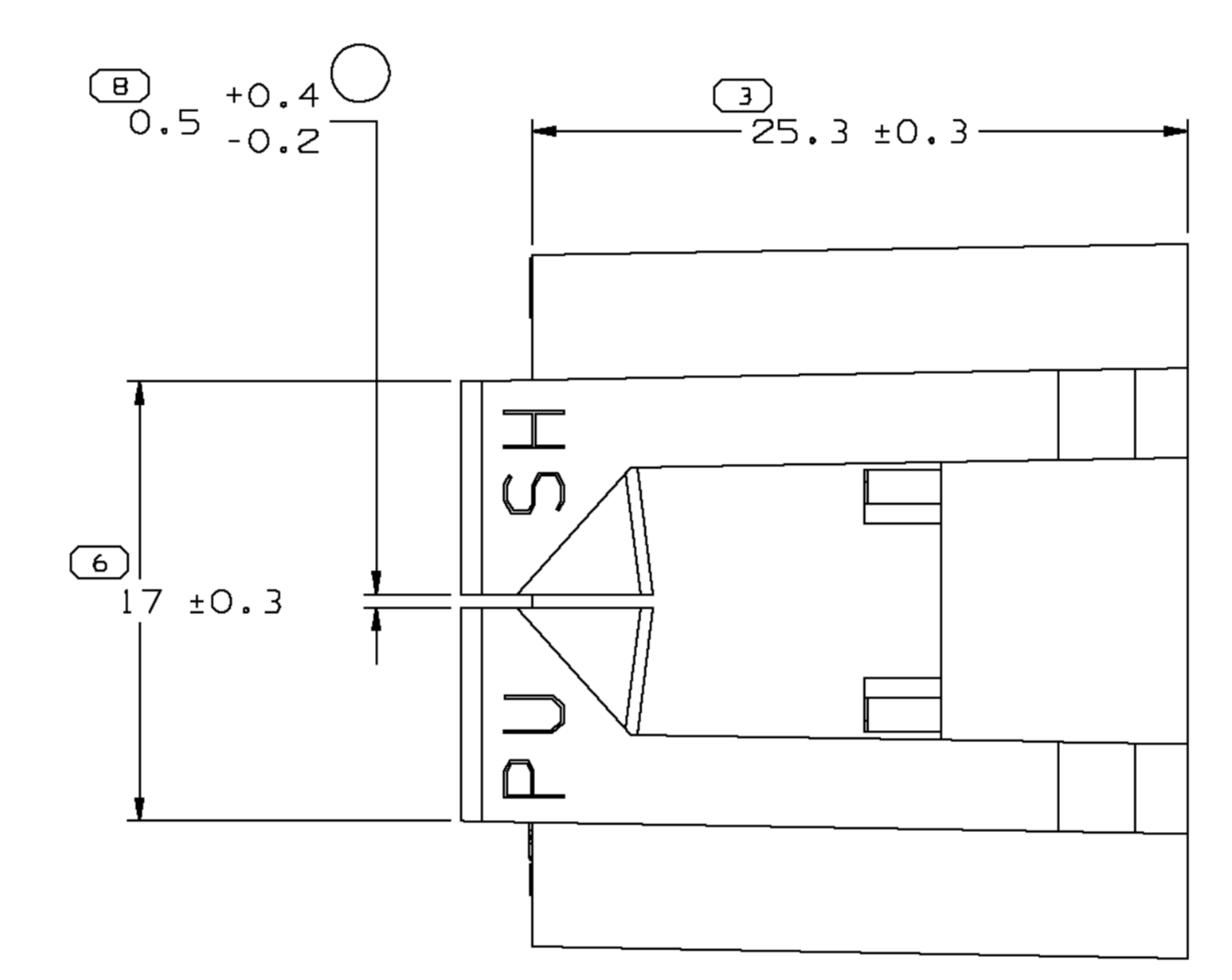
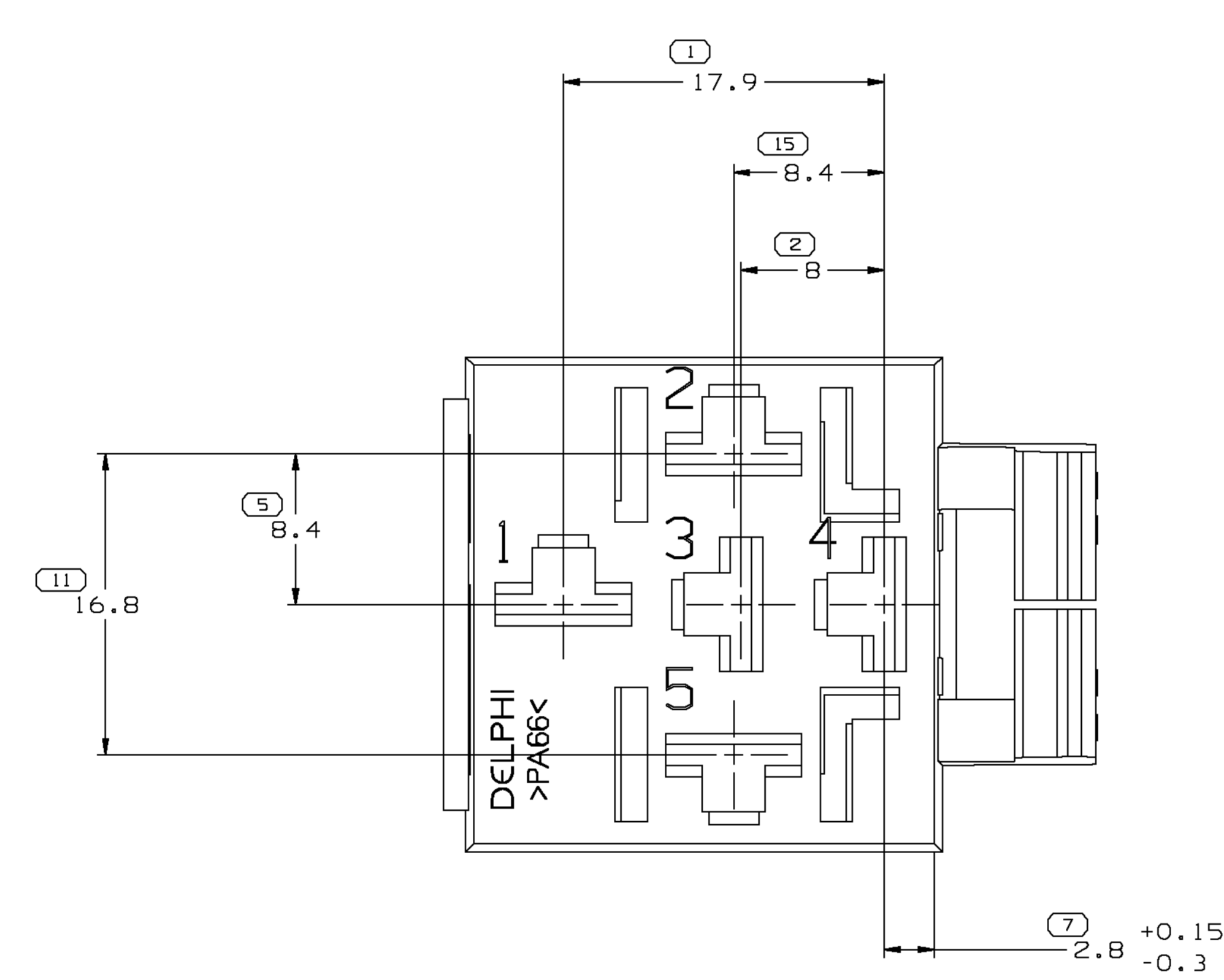
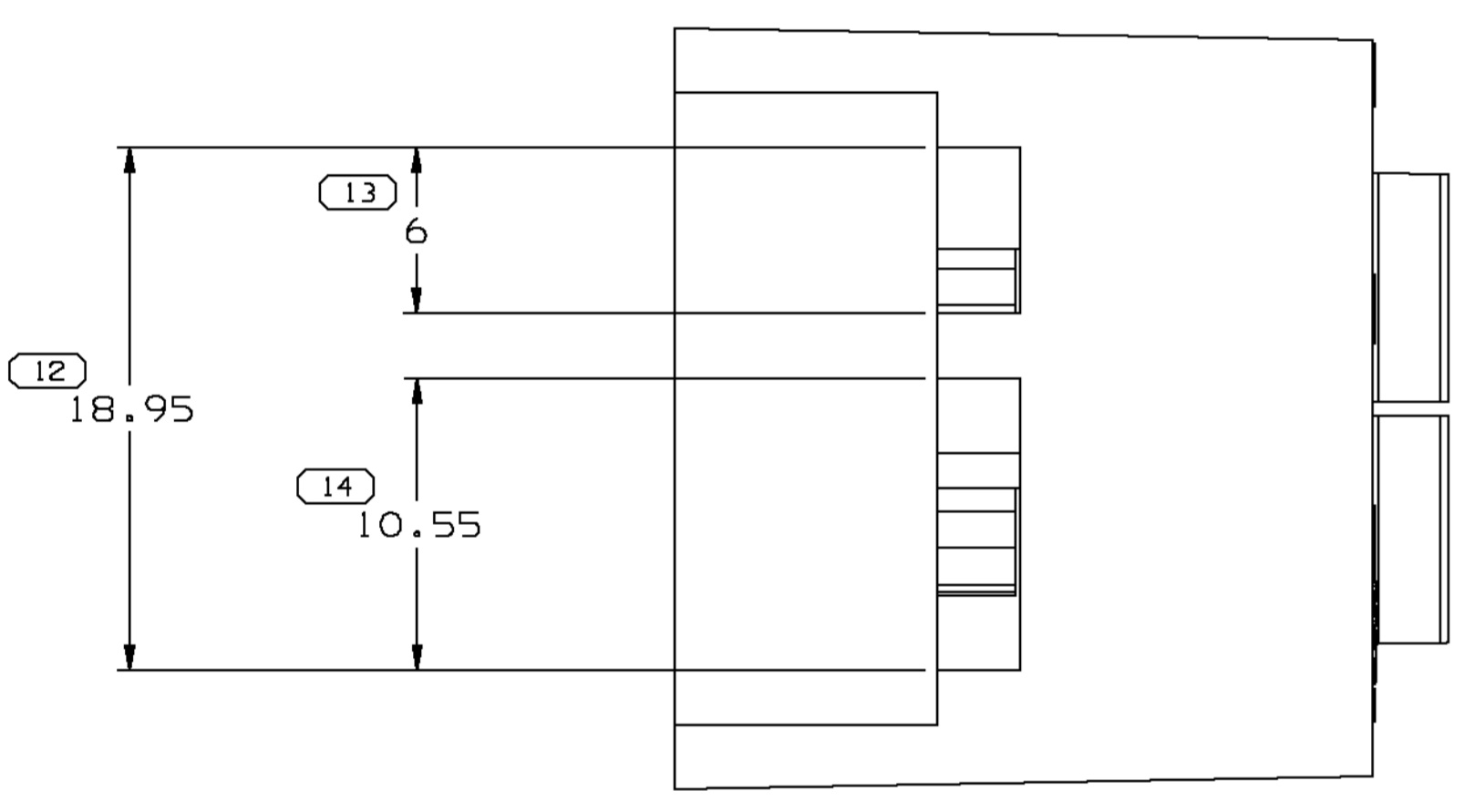
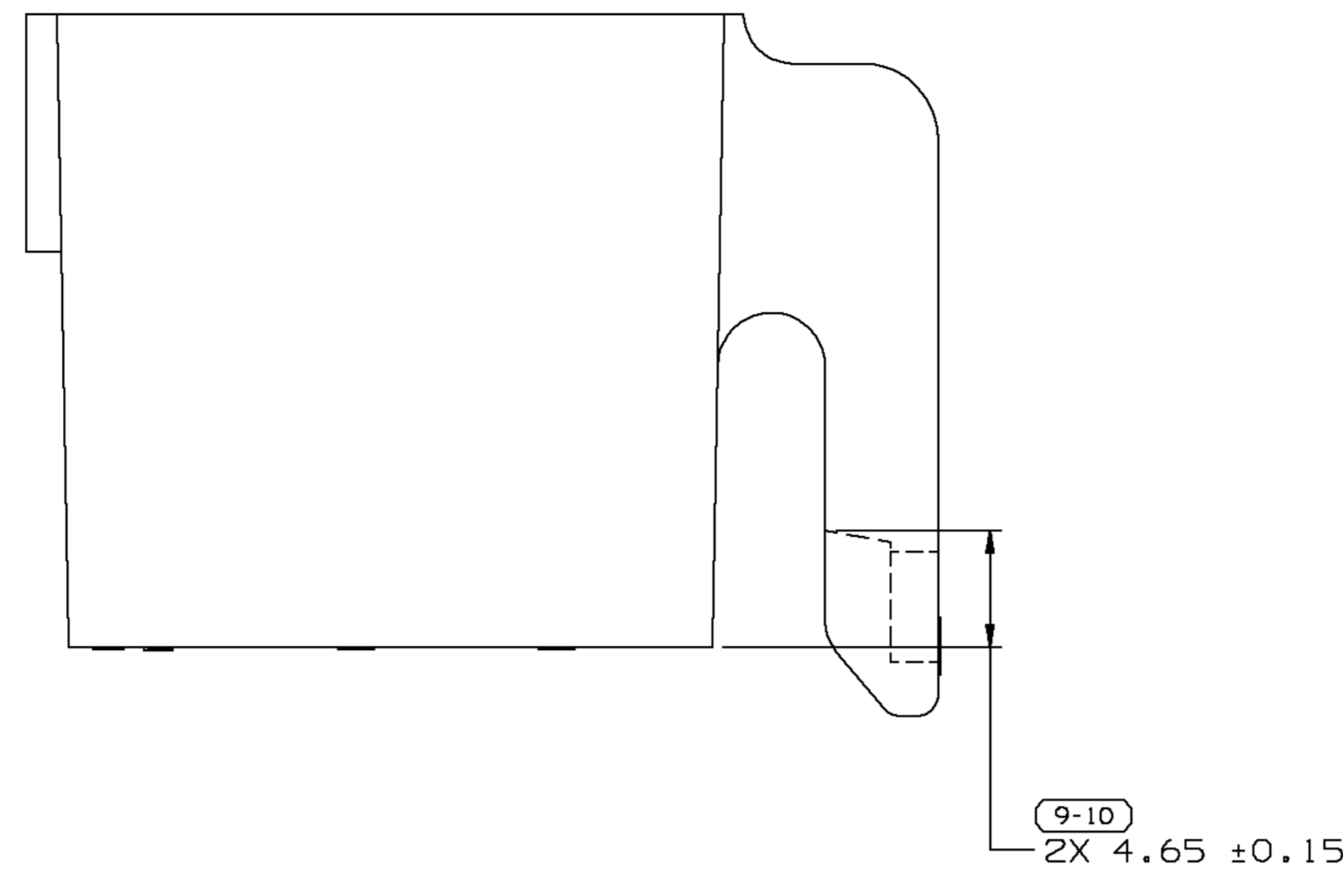
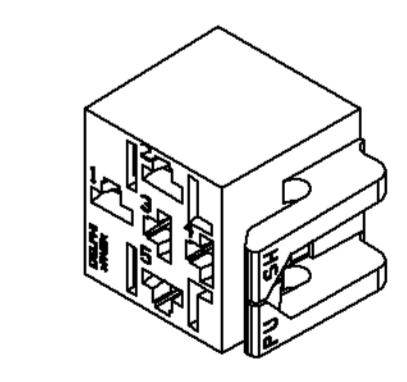


SYMBOL DEFINITION		MISSING NUMBERS		DWG STATUS				REVISION HISTORY				AUTH	DR	APVD	APVD
DATE	STG	REV	M/P	CHG	ZONE	DATE	REV	BY	REASON						
22AP02	R	E1	-	-	-				REDRAWN TO PD	202423	JYD	JYD	JH	JH	JH
10JUL02	R	06	-	-	-				MAT'L SPEC WAS R0067547 & 0.5 +0.4/-0.2 WAS 0.5 +0.15/-0.2	227122	RCH	RCH	JH	JH	



NOTES

- UNLESS OTHERWISE SPECIFIED AND/OR INDICATED: DIMENSIONS ARE TO FACE OF VIEW SHOWN AND AUTOMATICALLY ROUNDED BY COMPUTER FOR INSPECTION (SEE MATH MODEL FOR PRECISE DIMENSIONS). FOR ALL OTHER DIMENSIONS NOT SHOWN BUT REQUIRED FOR TOOL BUILD, SEE MATH MODEL FOR PRECISE TOOL PATH DATA.
- MATING COMPONENTS OR EQUIVALENT:  
CONNECTOR BOSCH RELAY A332 202 245  
SECONDARY LOCK 12033872
- THIS PART ACCEPTS THE FOLLOWING COMPONENTS OR EQUIVALENT:  
CAVITIES 1, 2 & 5 TO ACCEPT 12015838, 12015832 TERMINAL OR EQUIVALENT.
- MATERIAL RECYCLING CODE >PA66< PER SAE J1344. (2.3)X(0.1) RAISED CHARACTERS AS SHOWN TO BE LOCATED ON ANY EXTERIOR SURFACE. OPTIONAL CONSTRUCTION TO BE NO MATERIAL RECYCLING CODE.
- (2.3)X(0.1) RAISED DELPHI CORPORATE BRAND TO BE LOCATED ON ANY EXTERIOR SURFACE, PREFERABLY VISIBLE AT FINAL ASSEMBLY. OPTIONAL CONSTRUCTION TO BE "PED" OR NO LOGO.
- THIS PART DESIGNED TO ACCEPT 11.5 ±0.5 LENGTH BLADES IN MATING CONNECTORS
- MAXIMUM CABLE SIZE USABLE IN CAVITIES 2 & 5 IS DOUBLE 3MM<sup>2</sup> (1.95MM MAX CRIMP HEIGHT)



	DIMENSIONAL RANGE (MM) FROM TO 0 20 30 70 100 150 200 250 300 400 TOLERANCE UNLESS OTHERWISE SPECIFIED ±0.15   ±0.2   ±0.3   ±0.4   ±0.5   ±0.6   ±0.8   ±1   ±1.2	CHART E1 300 400
	DIMENSIONS ENCLOSED IN ( ) INDICATE REFERENCE DIMENSIONS AND NO TOLERANCE LIMITS ARE ESTABLISHED	
	R 0.1 MAX R 0.2 MAX SHARP CORNER TOLERANCE	REFERENCE
	THIRD ANGLE PROJECTION	DO NOT SCALE USE MATH DATA

**DELPHI**  
DELPHI PACKARD ELECTRIC SYSTEMS  
WARREN, OH

DWG TYPE	PART DRAWING
STYLE	
VOLUME (COP)	8, 350
ROUTING	6900
UNLESS OTHERWISE SPECIFIED	
THIS DOCUMENT IS IN ACCORDANCE WITH ASME Y14.5M-1994 AS AMENDED BY THE GW GLOBAL DIMENSIONING AND TOLERANCING ADDENDUM - 1997. ALL DIMENSIONAL TOLERANCES AND RELATED DATUMS APPLY UNLESS OTHERWISE SPECIFIED. THIS DOCUMENT DOES NOT APPLY WHEN RELATIONSHIP BETWEEN FEATURES IS ESTABLISHED BY ORIENTATION OR LOCATION TOLERANCES. SEPARATE POSITION CALLOUTS MAY BE USED SEPARATELY, REGARDLESS OF DATUM REFERENCE.	
DR	
APVD1 R.E.D.	11MRB2
APVD2 R.N.S.	20MRB2
APVD3 R.E.D.	31MRB2
APVD4	
APVD5	
MATERIAL	M3592001 - PA66 1M HS BLK
DRAWING NAME	CONN 5F M/P 630 SLP
DRAWING NUMBER	12034003
SIZE	A0
SCALE	4:1
FRAME NO	1 OF 1
SHEET NO	1 OF 1
STG	R
REV	06
M/P	

## X-ON Electronics

Largest Supplier of Electrical and Electronic Components

*Click to view similar products for [Automotive Connectors](#) category:*

*Click to view products by [Delphi](#) manufacturer:*

Other Similar products are found below :

[003-018-000](#) [600858](#) [60403001](#) [60993906-B](#) [60993913-B](#) [629515004020001](#) [M902-2131](#) [M902-2161](#) [M902-2344](#) [72.330.1035.1](#)  
[73.353.4028.0](#) [F118010](#) [F119300-B](#) [F132210](#) [F132210-B](#) [F166900](#) [F180100](#) [F258300](#) [F258300-B](#) [F294300-B](#) [F339100](#) [F339700](#) [F358300-](#)  
[B](#) [F374110](#) [F407400](#) [F412210](#) [F427600](#) [F444110](#) [F487000](#) [F495100-B](#) [F500900-B](#) [F509500B-B](#) [770444-1](#) [776880-1](#) [827153-1](#) [881735-1](#)  
[8N1515-32-24P](#) [9-1326727-8](#) [9-1326729-8](#) [925467-1](#) [925474-1](#) [928905-1](#) [936398-2](#) [964562-1](#) [964562-4](#) [964731-2](#) [965051-1](#) [968782-1](#)  
[GT17SA-8DS-HU](#) [GT17VS-10DP-5.2CF](#)