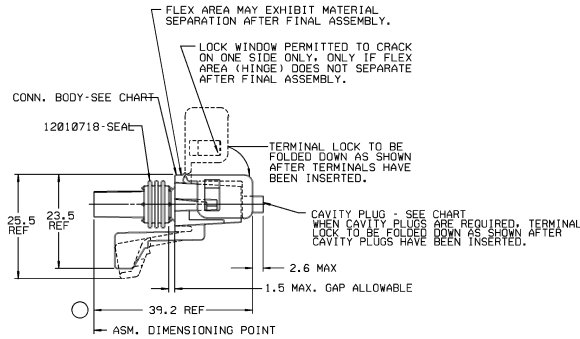
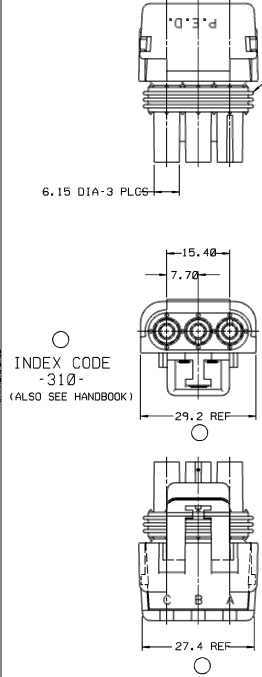


THIS DRAWING AND DESIGN HEREON CONSTITUTE A PROPRIETARY DESIGN OF PACKARD ELECTRIC DIVISION AND IS NOT TO BE REPRODUCED OR TRANSMITTED IN ANY FORM OR BY ANY MEANS WITHOUT THE WRITTEN AUTHORITY OF PACKARD ELECTRIC DIVISION.

DO NOT SCALE

PACKARD ELECTRIC DIVISION
GENERAL INVESTIGATIONS

37



- NOTES - 1. USE FEMALE TERMINAL 12089188 OR EQUIVALENT FOR "IN-LINE" APPLICATIONS; USE MALE TERMINAL 12089040 OR EQUIVALENT FOR "PANEL MOUNT" APPLICATIONS.
 2. USE CABLE SEAL 12019323 OR EQUIVALENT.
 3. MATING PART - SEE CHART.
 4. WHEN PARTS ARE SHIPPED, THEY MUST BE PACKED IN PLASTIC BAGS OR SHIPPING CONTAINERS MUST BE LINED WITH PLASTIC LINERS, BAGS OR LINERS MUST BE SEALED TO AVOID ENTRY OF FOREIGN MATTER.
 5. SEALING CODE 3.
 6. WHEN DESIGNING A PART TO MATE TO THIS WEATHER PACK CONNECTOR, REQUEST THE LATEST COPY OF DRAWING NUMBER 12020884 FROM THE PACKARD ELECTRIC DIVISION.

PART NUMBER	REV	STATUS	CONNECTOR BODY	APPLICATION	REFERENCE TERMINAL/GENDER	CAVITY PLUGS	MATING PART	STANDARD DESCRIPTION
12103398	A		12103397	DEVICE	12089040/MALE		12045440	ASM CONN 3M W/P TWR
12040985	C		12040992	IN-LINE	12089188-FEMALE			ASM CONN 3F W/P TWR
12040672	C		12040688	IN-LINE (SIR)	12089188-FEMALE			ASM CONN 3F W/P TWR
12034351	C		12034349	IN-LINE	12089188-FEMALE		12034350	ASM CONN 3F W/P TWR
12034042	A		12020828	BLOCK-OFF	NONE	UNKNOWN - IRIS FULL COVER	12020827	ASM CONN 3 W/P TWR
12020829	C		12020828	IN-LINE	12089188-FEMALE		12020827	ASM CONN 3F W/P TWR

DATE	BY	REVISION RECORD	AUTHORITY	OR	CA
16.4.90		ALL PARTS - REDRAWN & REVISED NOTE #1, #3 ADDED APPLICATION, TERM. GENDER & STANDARD DESCRIPTION TO CHART.			
		NOTE #6, CAVITY PLUG NOTE - REV LEVEL REMAINS THE SAME 12034042 WAS SEPARATE			
		"C" SIZE & REVISED GAP FROM 1.0 MAX TO 1.5 MAX - REV LEVEL REMAINS AT "A" 135473			ATL/ATL
16.4.90		12103398 RELEASED TO REV "A"	900005		ATL/ATL
14.09.91		ALL PARTS - ADDED INDEX CODE NOTE #8 REVISED REF DIMS 3 PLS - 12103398			
		ADDED 12045440 MATING PART - MATING PART WAS MATING CONN - NO REV			
		UPDATE REQ'D			142375 TS

PART NO. 1203 4358

PED / MICROGRAPH FILE SPEC: 6900
 MICROSTATION
 THIRD ANGLE PROJECTION
 CODE NO. 6900
 D.L. - C-5110
 DWG. DATE 27SE82
 EST. NO. DR. DON YEAGER
 REFERENCE NO. APPR. S. FELIX DATE 190C82
 MATERIAL SPEC. SEE DRAWING
 NAME ASM CONN 3 W/P TWR
 PART NO. 1203 4358
 SIZE C

PACKARD ELECTRIC

X-ON Electronics

Largest Supplier of Electrical and Electronic Components

Click to view similar products for [Automotive Connectors](#) category:

Click to view products by [Delphi](#) manufacturer:

Other Similar products are found below :

[003-018-000](#) [600858](#) [60403001](#) [60993906-B](#) [60993913-B](#) [629515004020001](#) [M902-2131](#) [M902-2161](#) [M902-2344](#) [72.330.1035.1](#)
[73.353.4028.0](#) [F118010](#) [F119300-B](#) [F132210](#) [F132210-B](#) [F166900](#) [F180100](#) [F258300](#) [F258300-B](#) [F294300-B](#) [F339100](#) [F339700](#) [F358300-](#)
[B](#) [F374110](#) [F407400](#) [F412210](#) [F427600](#) [F444110](#) [F487000](#) [F495100-B](#) [F500900-B](#) [F509500B-B](#) [770444-1](#) [776880-1](#) [827153-1](#) [881735-1](#)
[8N1515-32-24P](#) [9-1326727-8](#) [9-1326729-8](#) [925467-1](#) [925474-1](#) [928905-1](#) [936398-2](#) [964562-1](#) [964562-4](#) [964731-2](#) [965051-1](#) [968782-1](#)
[GT17SA-8DS-HU](#) [GT17VS-10DP-5.2CF](#)