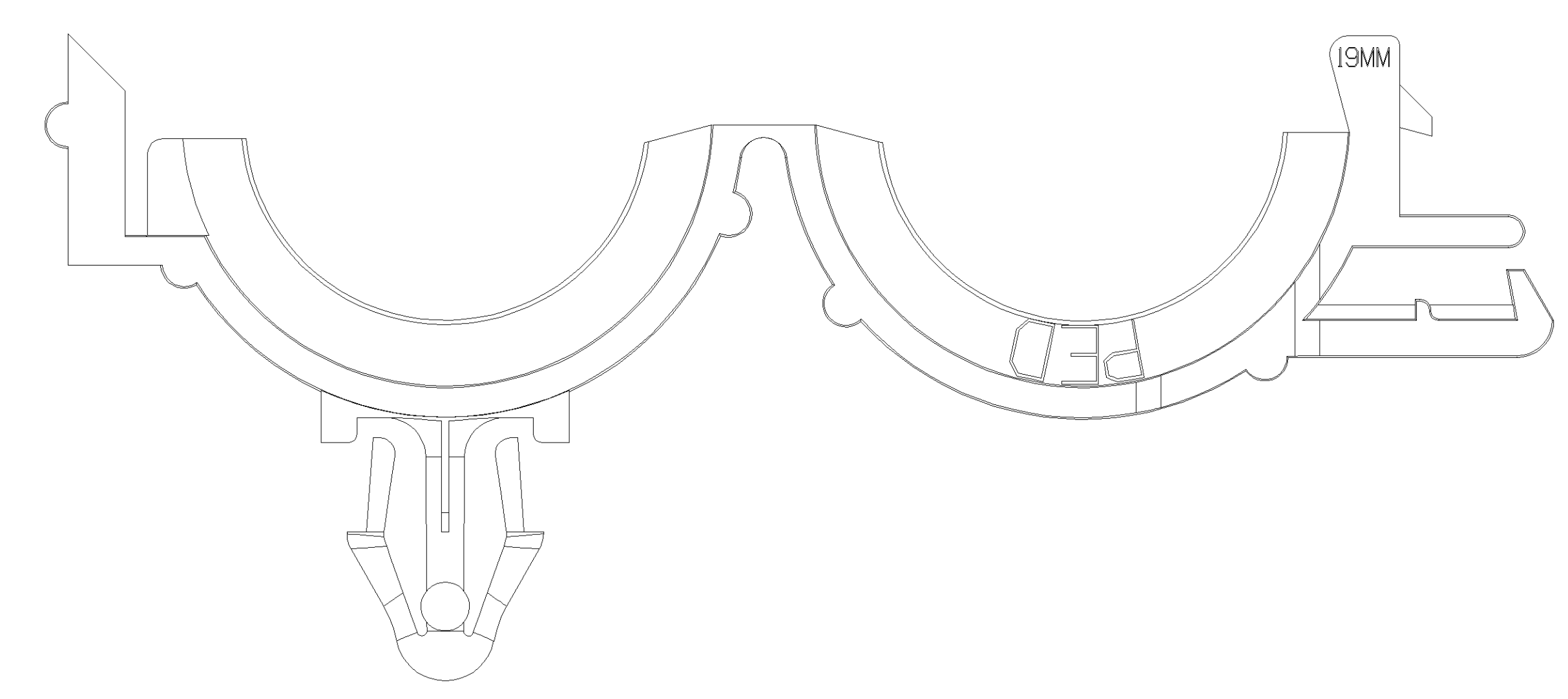
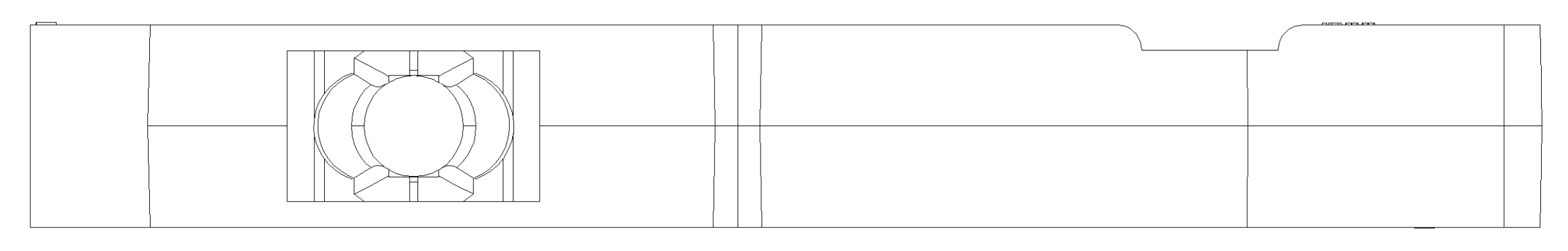
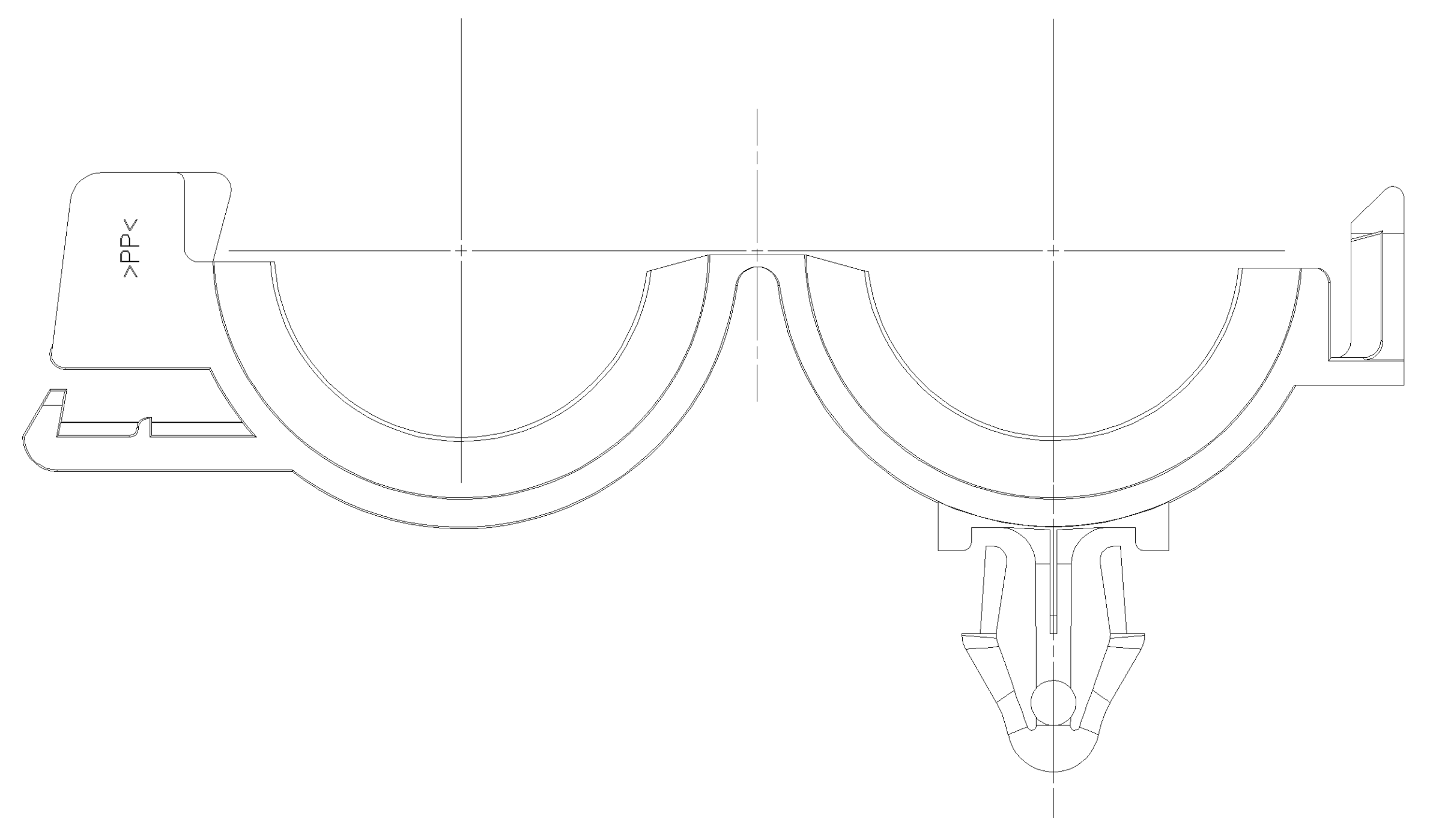
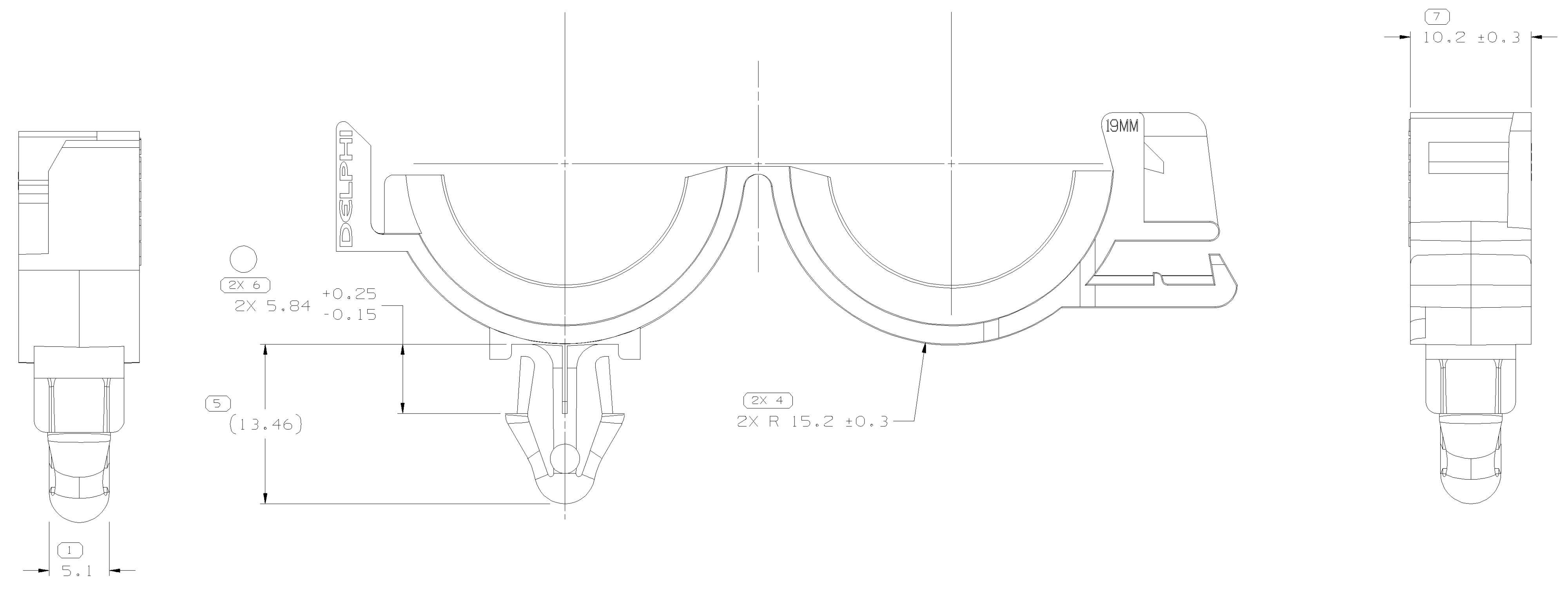
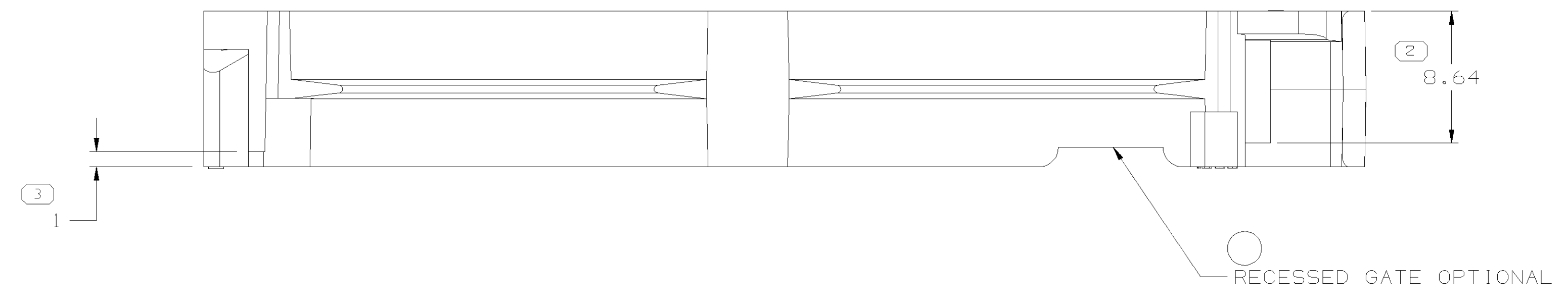


SYMBOL DEFINITION		MISSING SYMBOLS	
A DIMENSION WITHOUT AN INSPECTION REPORT SYMBOL DOES NOT REQUIRE INSPECTION. IT MAY BE CONTROLLED ON THE INDIVIDUAL COMPONENT DRAWING.	TOTAL NO OF INSPECTIONS REQUIRED	NO MISSING SYMBOL NUMBER	
	LAST NO. USED		
		9	
		7	

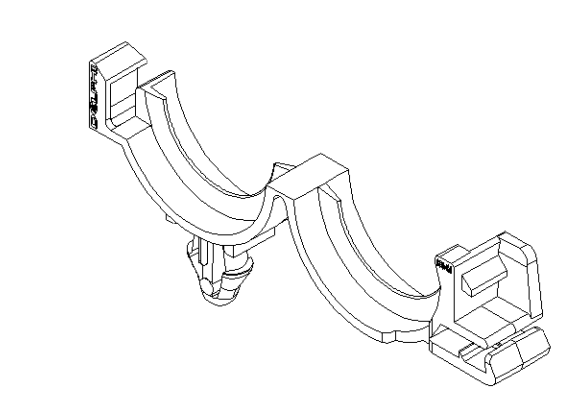
DWG STATUS		ZONE		REVISION HISTORY		AUTH	DR	APVD	APVD
DATE	STG	REV	N/P	CHG					
12JUL02	R	A4	-	-	REDRAWN TO PD, UPDATED MAT'L SPEC & UPDATED POM ATTRIBUTES	227760	EES	EES	FR
22AP03	R	A5	-	-	ADDED DELPHI LOGO NOTE & RECYCLING CODE NOTE AND REVISED GRAPHICS	239286	RH	RH	FR
12MY03	R	A6	-	-	ADDED OPTIONAL CONSTRUCTION & NOTE	240618	CMZ	RCH	FR
29JUL03	R	02	-	-	MAT'L SPEC WAS M0661002	243733	EGR	EGR	ET
13AUG03	R	02	AA	-	5.84 +0.25/-0.15 WAS 5.84 AND ADDED NOTE	244514	ARA	ARA	FR



OPTIONAL CONSTRUCTION

NOTES

- UNLESS OTHERWISE SPECIFIED AND/OR INDICATED: DIMENSIONS ARE TO FACE OF VIEW SHOWN AND AUTOMATICALLY ROUNDED BY COMPUTER FOR INSPECTION (SEE MATH MODEL FOR PRECISE DIMENSIONS). FOR ALL OTHER DIMENSIONS NOT SHOWN BUT REQUIRED FOR TOOL BUILD, SEE MATH MODEL FOR PRECISE TOOL PATH DATA.
- MATERIAL RECYCLING CODE >PP< PER SAE J1344. (1)X(0,1) RAISED CHARACTERS AS SHOWN TO BE LOCATED ON ANY EXTERIOR SURFACE. OPTIONAL CONSTRUCTION TO BE NO MATERIAL RECYCLING CODE.
- (1)X(0,1) RAISED DELPHI CORPORATE BRAND TO BE LOCATED ON ANY EXTERIOR SURFACE, PREFERABLY VISIBLE AT FINAL ASSEMBLY. OPTIONAL CONSTRUCTION TO BE "PED" OR NO LOGO.
- THIS PART TO FIT 19.05 (1.750") I.D. CONVOLUTED CONDUIT.
- RECOMMENDED HOLE SIZE FOR CLIP 6.1-6.6 DIA HOLE IN 3.8 MAX THICK STOCK.
- EJECTOR PADS OPTIONAL AND APPROXIMATELY AS SHOWN.



PART DRAWING	
STYLE	
VOLUME (CPI)	2,860
ROUTING	6900
DISTR CODE	D

UNLESS OTHERWISE SPECIFIED
 THIS DOCUMENT IS IN ACCORDANCE WITH ASME Y14.5M-1994 AS AMENDED BY THE ON GLOBAL DIMENSIONING AND TOLERANCING ADDENDUM - 1997. ALL GEOMETRIC TOLERANCES AND RELATED DATUMS APPLY PER ASME Y14.5M-1994 UNLESS OTHERWISE SPECIFIED.
 MFG DOES NOT APPLY WHEN RELATIONSHIP BETWEEN FEATURES IS ESTABLISHED BY DIMENSION OR LOCATION TOLERANCES. SEPARATE POSITION TOLERANCES MAY BE OBTAINED SEPARATELY. ALL DIMENSIONS ARE IN MILLIMETERS.

DELPHI
 DELPHI PACKARD ELECTRIC SYSTEMS
 WARREN, OH

DR	DATE
APVD1 E. SEIDEL	12JUL02
APVD2 E. SEIDEL	12JUL02
APVD3 F. ROMERO	15JUL02
APVD4	
APVD5	

SUBSTANCES OF CONCERN AND RECYCLED CONTENT PER DELPHI 10949001

MATERIAL: M2097001 - PP 1M BLK

DRAWING NAME: MOUN CLIP 6.35 NONE CDT

DRAWING NUMBER: 12004614

SIZE: AO SCALE: 4:1 FRAME NO: 1 SHEET NO: 1 OF 1 STG REV: N/P

REFERENCE		THIRD ANGLE PROJECTION		DO NOT SCALE	
DIMENSIONS ENCLOSED IN () INDICATE REFERENCE DIMENSIONS AND NO TOLERANCE LIMITS ARE ESTABLISHED. DIMENSIONAL RANGE (MM) CHART: ET FROM TO TOLERANCE UNLESS OTHERWISE SPECIFIED <table border="1"><tr><th>DIMENSIONAL RANGE (MM)</th><th>TOLERANCE UNLESS OTHERWISE SPECIFIED</th></tr><tr><td>0-30</td><td>±0.15</td></tr><tr><td>30-100</td><td>±0.2</td></tr><tr><td>100-150</td><td>±0.3</td></tr><tr><td>150-200</td><td>±0.4</td></tr><tr><td>200-250</td><td>±0.5</td></tr><tr><td>250-300</td><td>±0.6</td></tr><tr><td>300-400</td><td>±0.8</td></tr></table> ANGULAR TOLERANCE: ±2°					
R 0.1 MAX R 0.2 MAX SHARP CORNER TOLERANCE					

X-ON Electronics

Largest Supplier of Electrical and Electronic Components

Click to view similar products for [Automotive Connectors](#) category:

Click to view products by [Delphi](#) manufacturer:

Other Similar products are found below :

[003-018-000](#) [600858](#) [60403001](#) [60993906-B](#) [60993913-B](#) [629515004020001](#) [M902-2131](#) [M902-2161](#) [M902-2344](#) [72.330.1035.1](#)
[73.353.4028.0](#) [F118010](#) [F119300-B](#) [F132210](#) [F132210-B](#) [F166900](#) [F180100](#) [F258300](#) [F258300-B](#) [F294300-B](#) [F339100](#) [F339700](#) [F358300-](#)
[B](#) [F374110](#) [F407400](#) [F412210](#) [F427600](#) [F444110](#) [F487000](#) [F495100-B](#) [F500900-B](#) [F509500B-B](#) [770444-1](#) [776880-1](#) [827153-1](#) [881735-1](#)
[8N1515-32-24P](#) [9-1326727-8](#) [9-1326729-8](#) [925467-1](#) [925474-1](#) [928905-1](#) [936398-2](#) [964562-1](#) [964562-4](#) [964731-2](#) [965051-1](#) [968782-1](#)
[GT17SA-8DS-HU](#) [GT17VS-10DP-5.2CF](#)