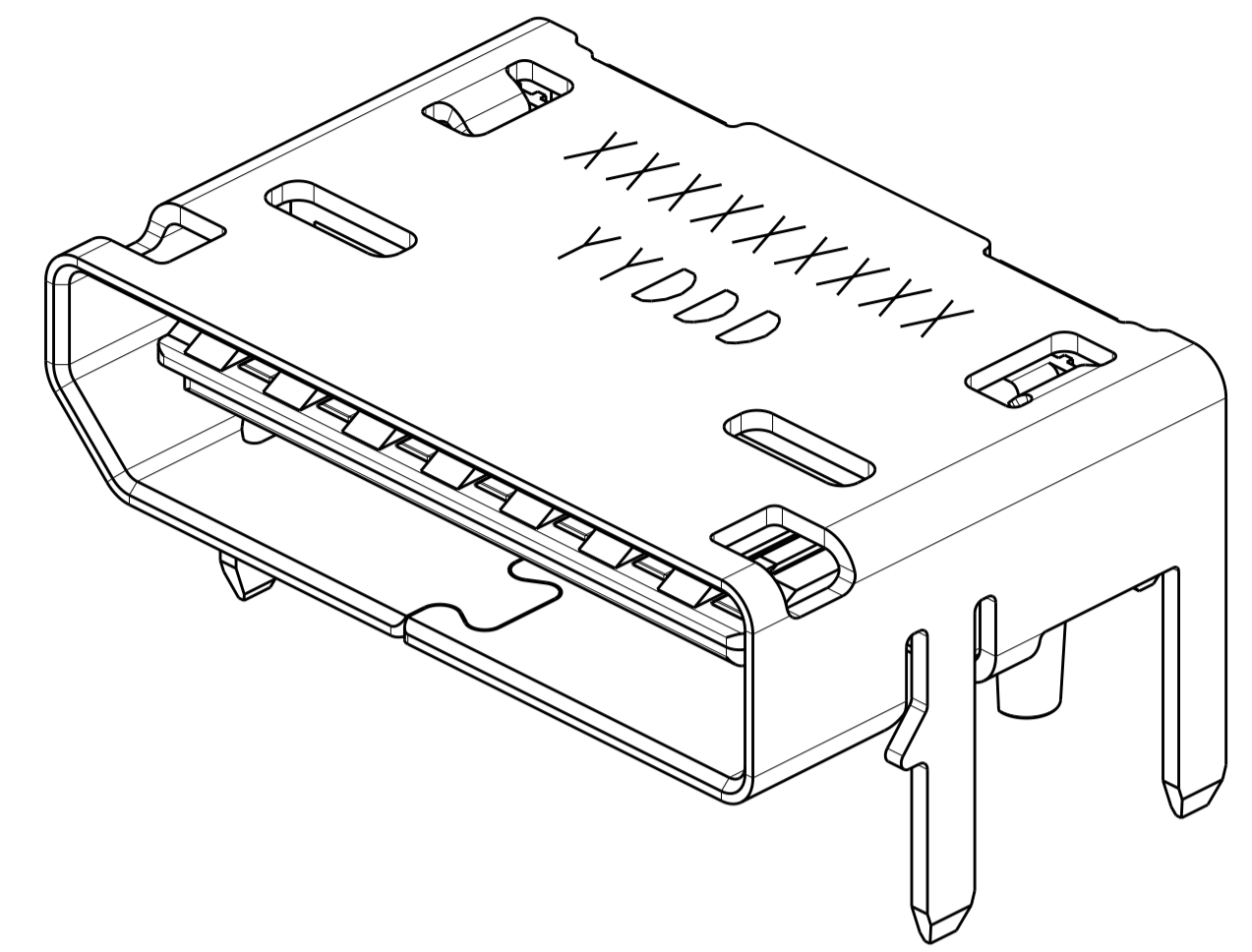
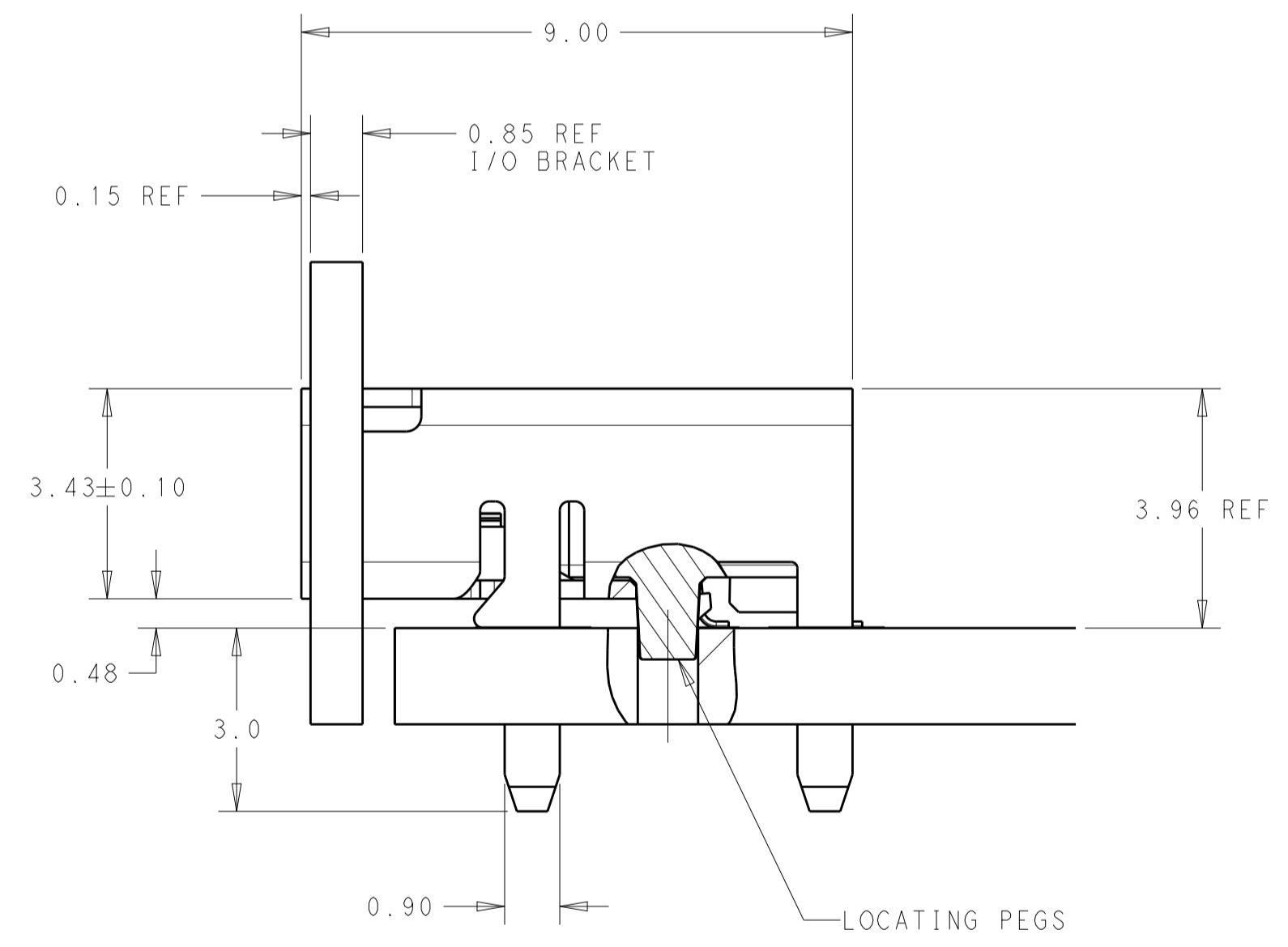
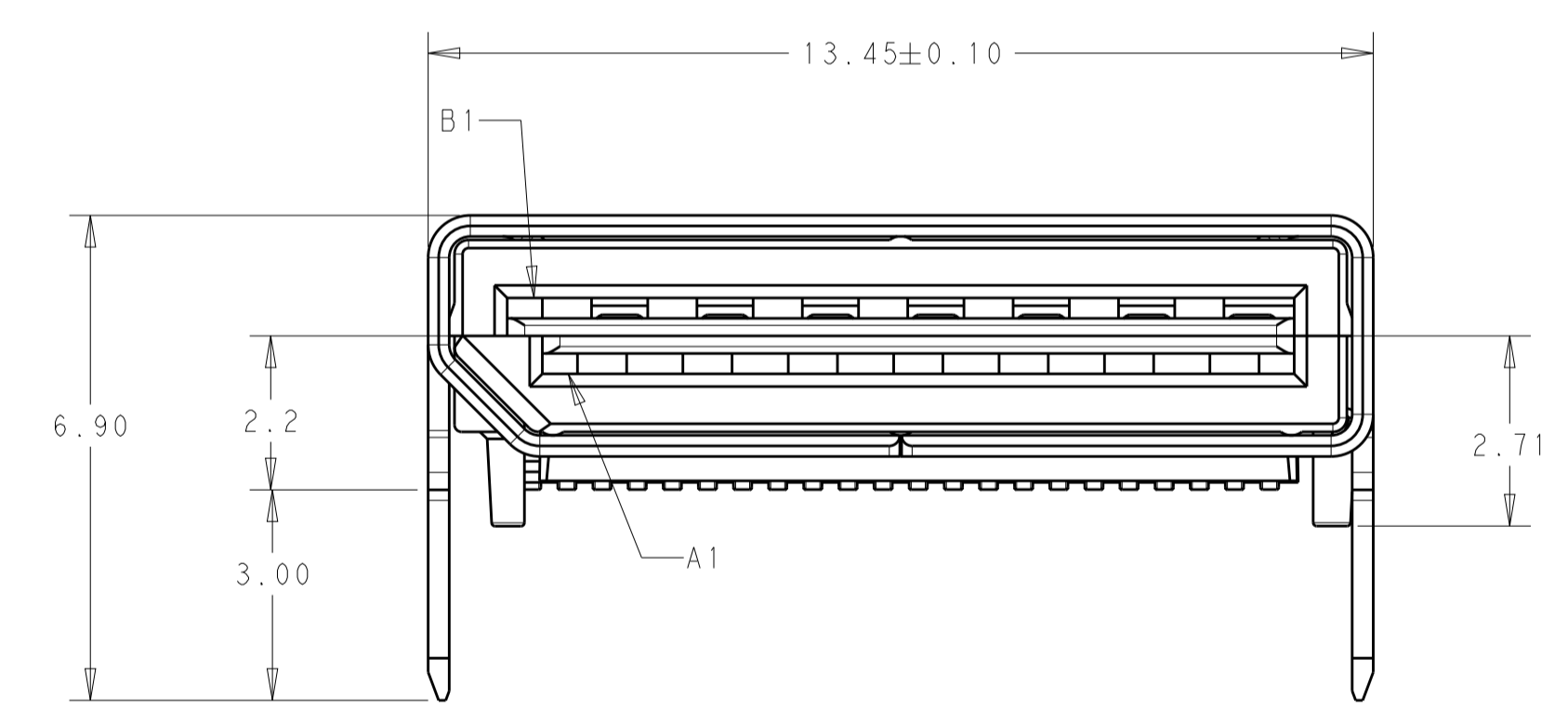
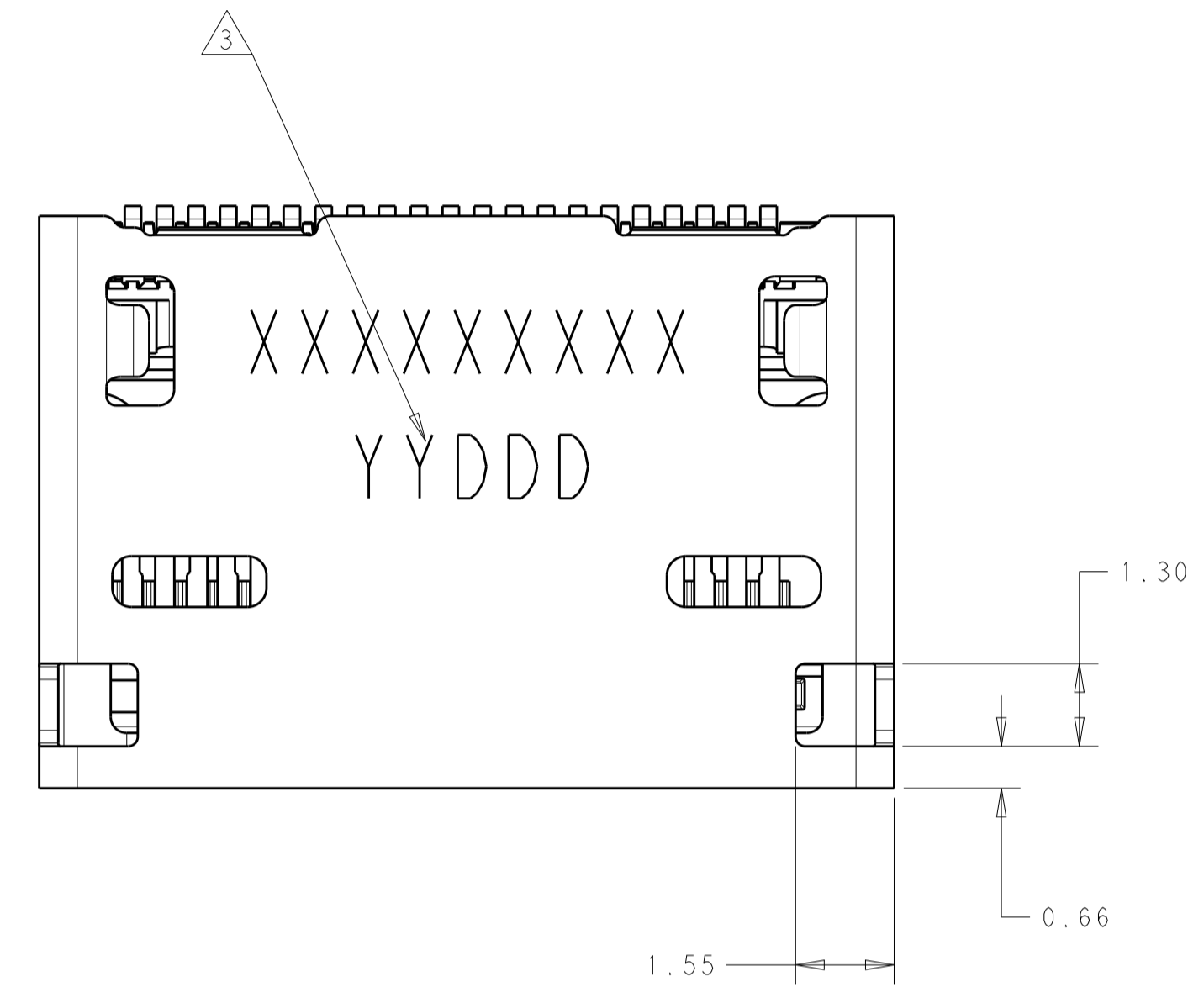


| REVISIONS |     |                 |           |          |
|-----------|-----|-----------------|-----------|----------|
| P.        | LTN | DESCRIPTION     | DATE      | OWN APVD |
| A         |     | INITIAL RELEASE | 14NOV2017 | LL SH    |
|           |     |                 |           |          |
|           |     |                 |           |          |



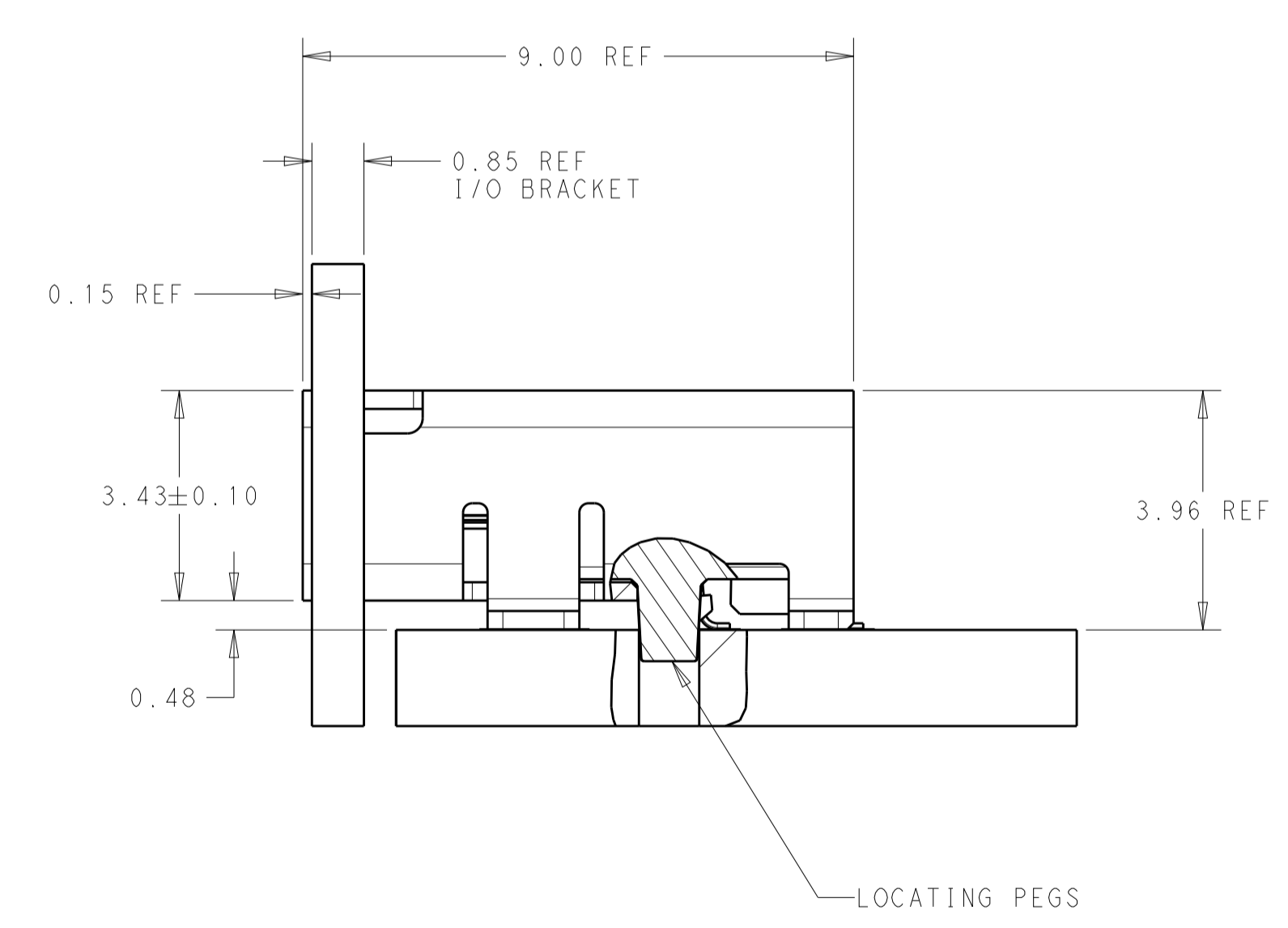
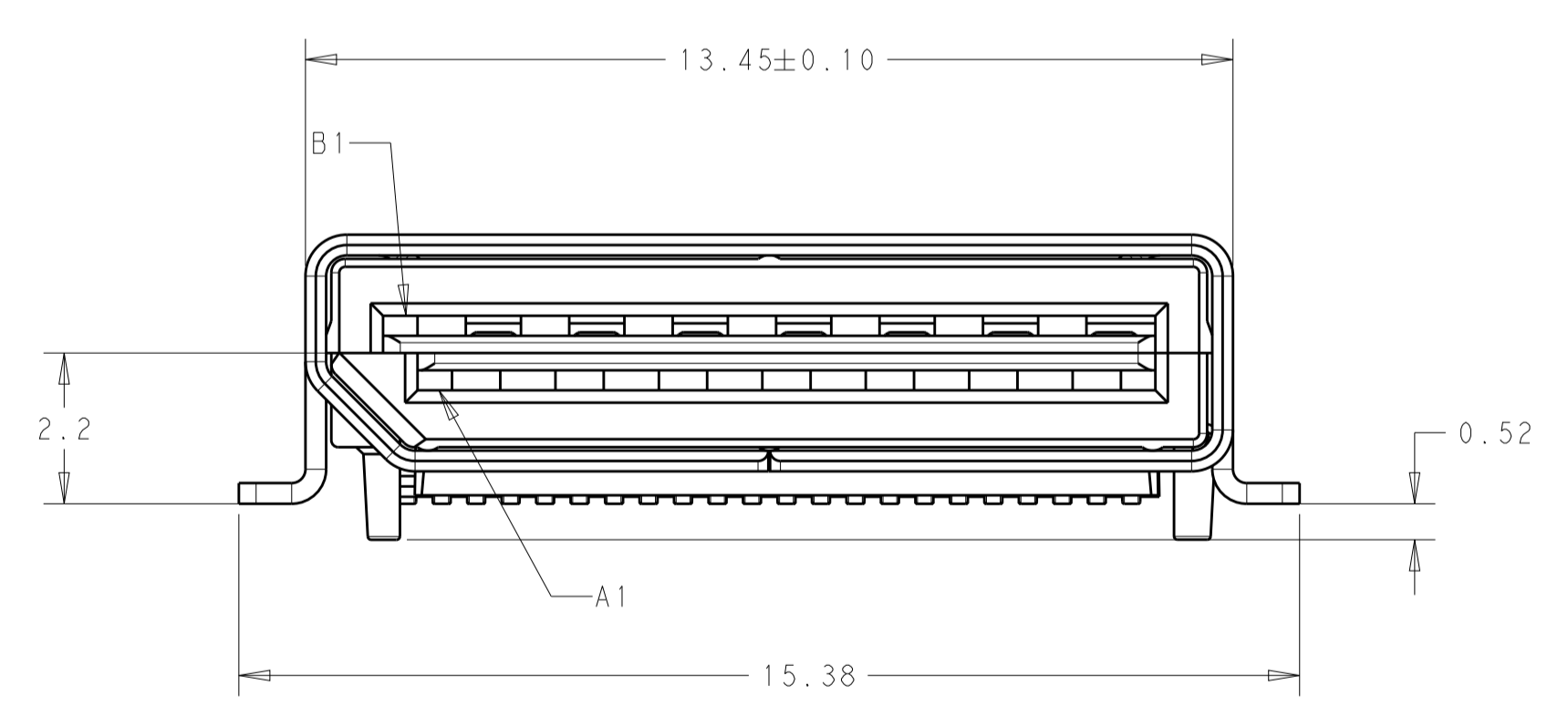
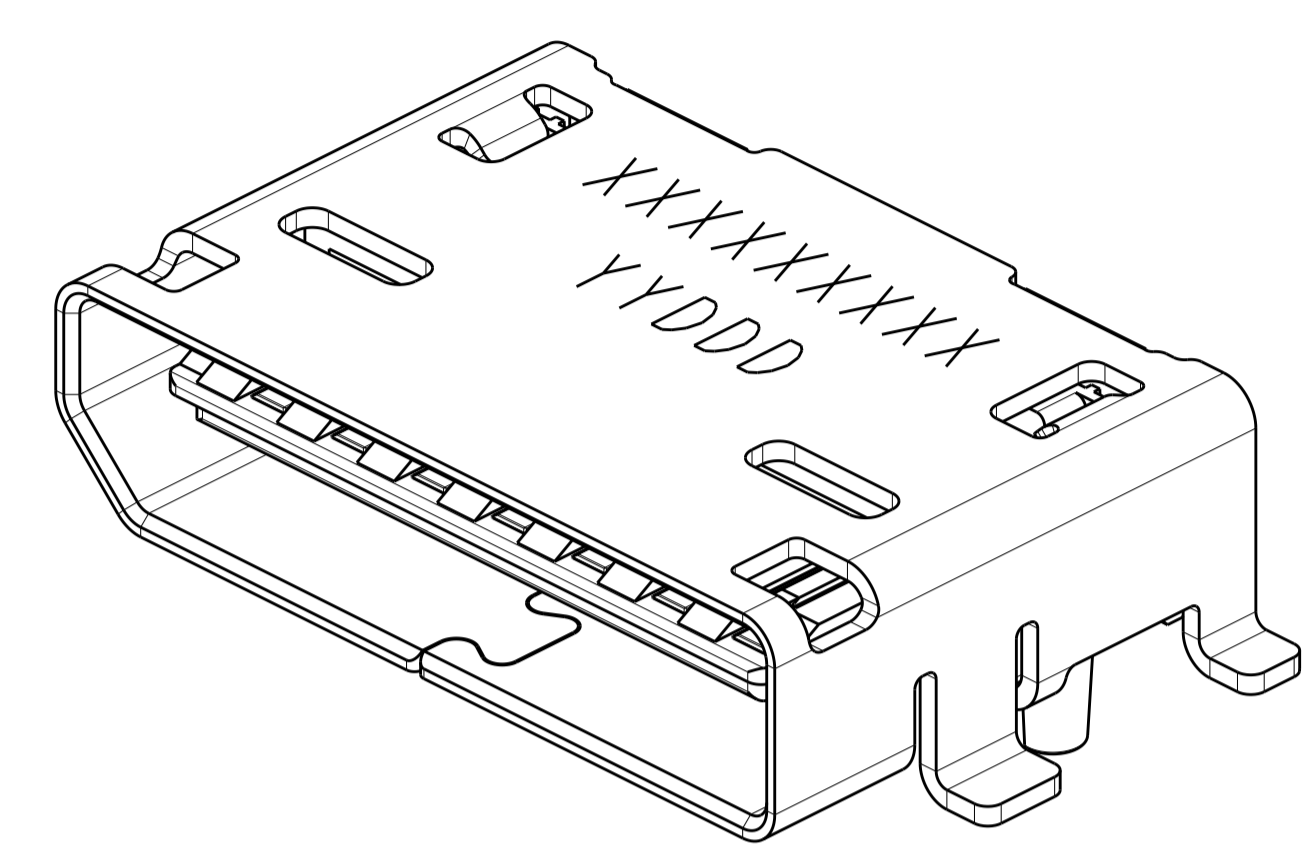
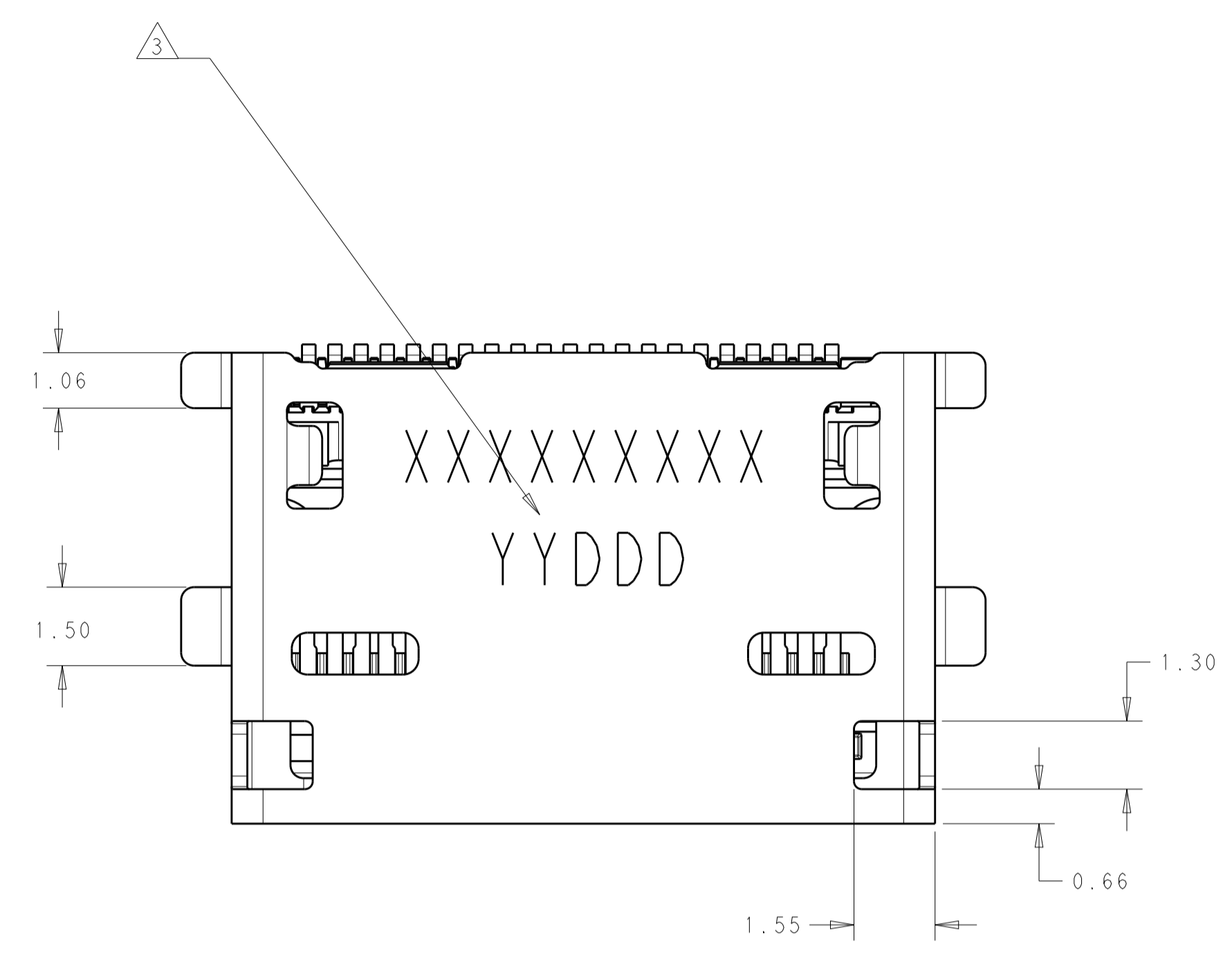
- 1 MATERIALS:  
 HOUSING: GLASS FILLED THERMOPLASTIC, 94V-0  
 CONTACTS: HIGH PERFORMANCE COPPER ALLOY  
 SHIELD: STAINLESS STEEL.
- 2 FINISH:  
 CONTACTS: 0.00076 MIN GOLD ON CONTACT AREA, 0.00254 MIN TIN ON SOLDER TAILS, ALL OVER 0.002 MIN NICKEL UNDERPLATE ON ENTIRE CONTACT.  
 SHIELD: MATTE TIN OVER 0.00127 MIN. NICKEL.
- 3 PART NUMBER AND DATE CODE MARKED IN APPROXIMATE AREA AS SHOWN.
- 4 SOLDER TAIL COPLANARITY IS 0.10 MAX.



42 CIRCUIT TH ASSEMBLY  
 PART NUMBER: 2308578-1

|   |  |                          |   |              |
|---|--|--------------------------|---|--------------|
| THIS DRAWING IS A CONTROLLED DOCUMENT.  |  | OWN: LEO LI 08FEB2017    | PART NUMBER 2308578-1   |              |
| DIMENSIONS: mm  |  | CHK: SEAN HAN 08FEB2017  | TE Connectivity<br>NAME: NANO PITCH I/O FIXED RIGHT ANGLE, 4X |              |
| TOLERANCES UNLESS OTHERWISE SPECIFIED:<br>0 PLC ±<br>1 PLC ±0.25<br>2 PLC ±0.13<br>3 PLC ±<br>4 PLC ±<br>ANGLES ± |  | APVD: SEAN HAN 08FEB2017 |   |              |
| MATERIAL: SEE NOTE  |  | FINISH: SEE NOTE         | PRODUCT SPEC: 108-60118                                       | SIZE: A1     |
|   |  |                          | APPLICATION SPEC: 114-60024                                   | SCALE: 10:1  |
|   |  |                          | WEIGHT: -   | SHEET 1 OF 5 |
|   |  |                          | CUSTOMER DRAWING  | REV A        |

| REVISIONS |     |             |      |          |
|-----------|-----|-------------|------|----------|
| P.        | LTN | DESCRIPTION | DATE | OWN APVD |
| -         | -   | SEE SHEET 1 | -    | -        |
|           |     |             |      |          |
|           |     |             |      |          |



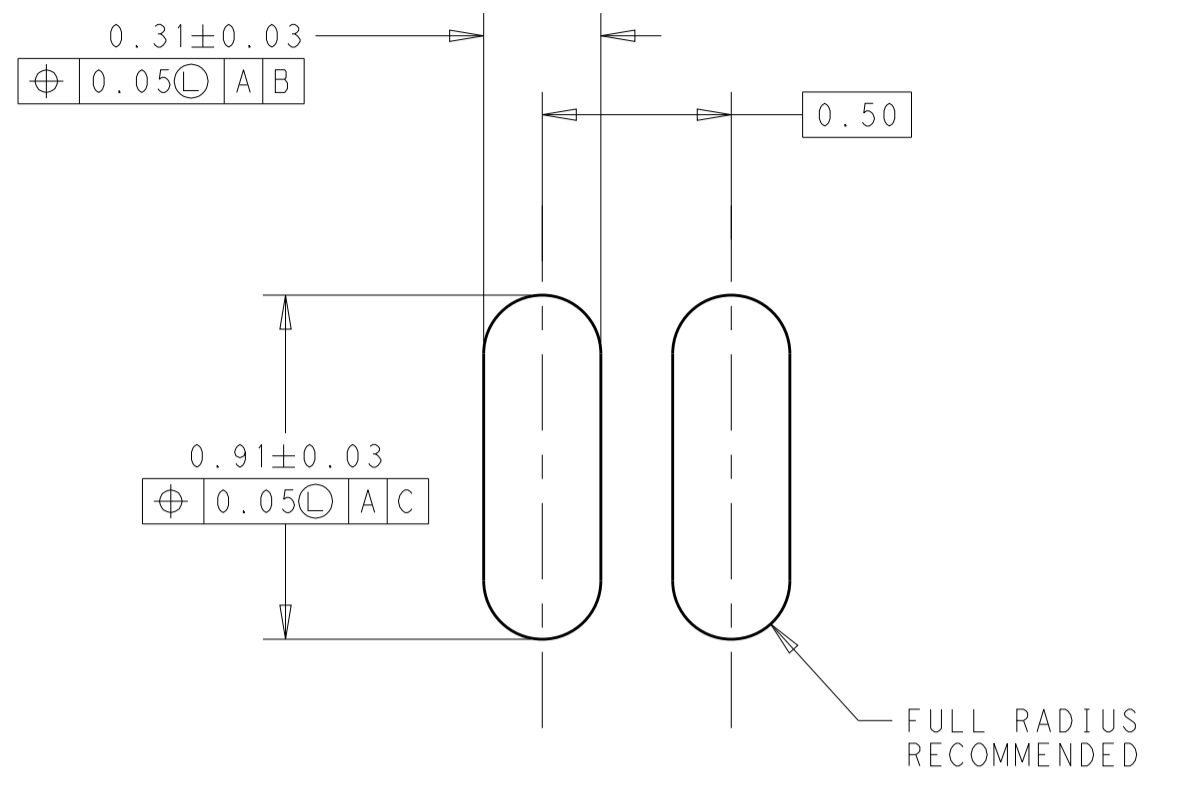
42 CIRCUIT SMT ASSEMBLY  
 PART NUMBER: 2308578-2

PART NUMBER 2308578-2

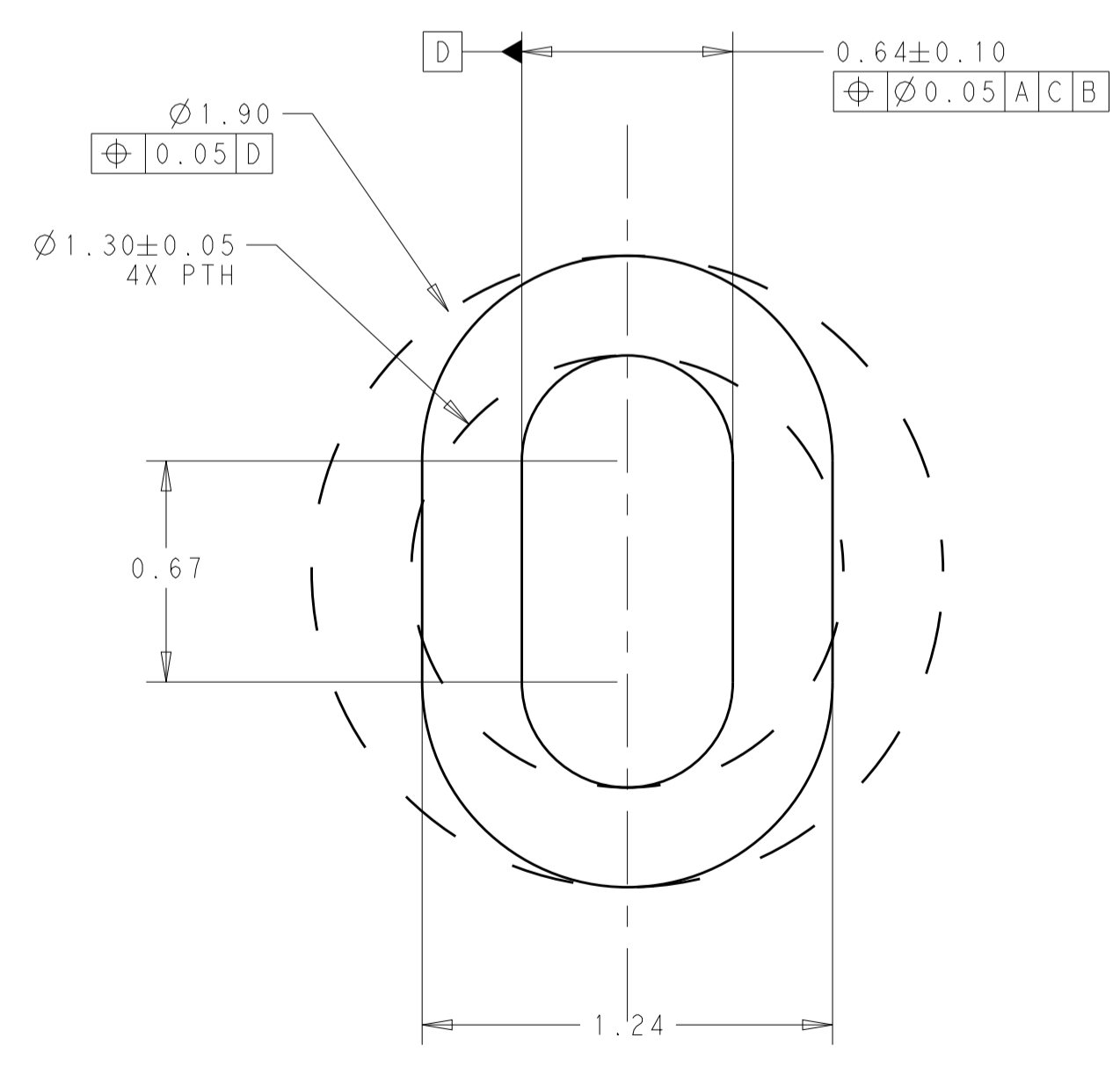
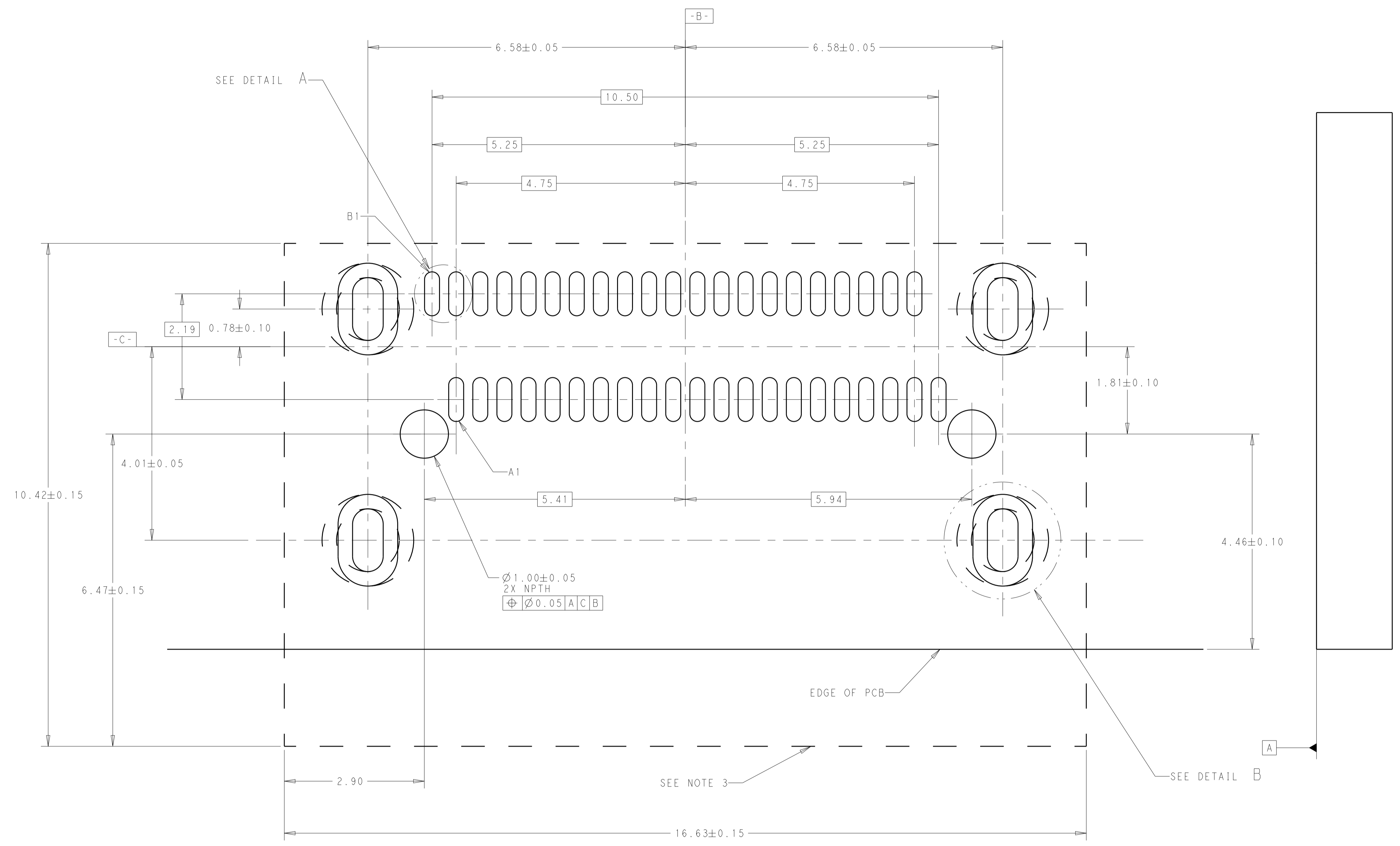
|   |          |  |   |
|---|----------|--|---|
| THIS DRAWING IS A CONTROLLED DOCUMENT.                                  |          | OWN: LEO LI 08FEB2017  | TE Connectivity   |
| DIMENSIONS: mm  |          | CHK: SEAN HAN 08FEB2017  |   |
| TOLERANCES UNLESS OTHERWISE SPECIFIED:                                  |          | APVD: SEAN HAN 08FEB2017   |   |
| 0 PLC ±<br>1 PLC ±0.25<br>2 PLC ±0.13<br>3 PLC ±<br>4 PLC ±<br>ANGLES ± |          | NAME: NANO PITCH I/O FIXED RIGHT ANGLE, 4X<br>PRODUCT SPEC: 108-60118<br>APPLICATION SPEC: 114-60024<br>WEIGHT: -<br>FINISH: - |   |
| MATERIAL: SEE NOTE  | SEE NOTE | CUSTOMER DRAWING   | SIZE: A1<br>CAGE CODE: -<br>DRAWING NO: 2308578<br>RESTRICTED TO: -<br>SCALE: 10:1 SHEET 2 OF 5 REV A |

| REVISIONS |      |             |      |       |
|-----------|------|-------------|------|-------|
| P.        | LTN. | DESCRIPTION | DATE | APPD. |
| -         | -    | SEE SHEET 1 | -    | -     |
|           |      |             |      |       |
|           |      |             |      |       |

# 42 CIRCUIT TAIL RECOMMENDED FOOTPRINT



DETAIL A  
 SCALE 50:1



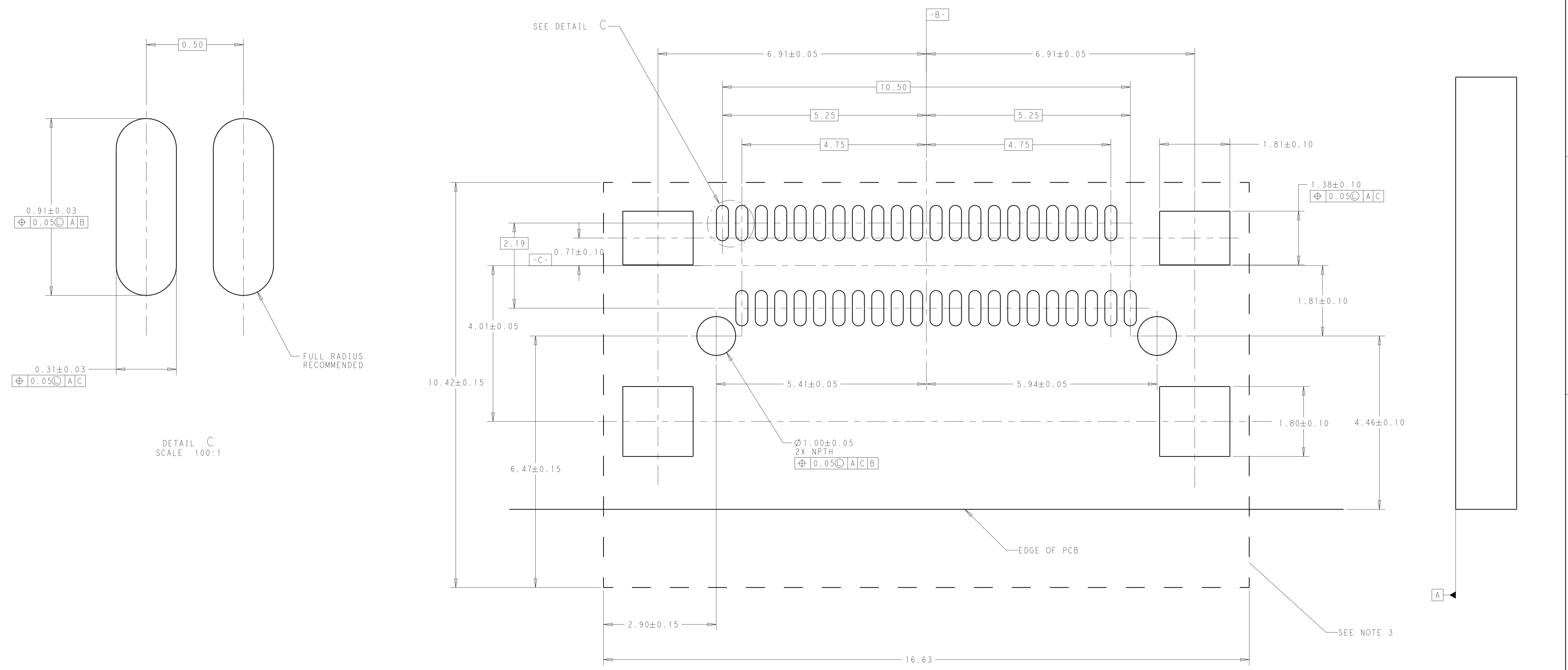
DETAIL B  
 SCALE 50:1

- NOTES:
1. MINIMUM RECOMMENDED SPACING IS 17.25MM.
  2. MINIMUM RECOMMENDED PCB THICKNESS: 1.57MM.
  3. CONNECTOR KEEP OUT AREA.
  4. DATUM -A- ESTABLISHED FROM TOP SURFACE OF PCB.

|  |                  |                          |  |
|--|------------------|--------------------------|--|
| THIS DRAWING IS A CONTROLLED DOCUMENT. |                  | OWN: LEO LI 08FEB2017    | TE Connectivity                            |
| DIMENSIONS: mm                         |                  | CHK: SEAN HAN 08FEB2017  |  |
| TOLERANCES UNLESS OTHERWISE SPECIFIED: |                  | APPD: SEAN HAN 08FEB2017 | NAME: NANO PITCH I/O FIXED RIGHT ANGLE, 4X |
| 0 PLC ±                                | 1 PLC ±0.25      | PRODUCT SPEC             | 108-60118                                  |
| 2 PLC ±0.13                            | 3 PLC ±          | APPLICATION SPEC         | 114-60024                                  |
| 4 PLC ±                                | ANGLES ±         | SIZE: A1                 | CAGE CODE: -                               |
| MATERIAL: SEE NOTE                     | FINISH: SEE NOTE | WEIGHT: -                | DRAWING NO: C=2308578                      |
| CUSTOMER DRAWING                       |                  | SCALE: 10:1              | SHEET 3 OF 5                               |

| REVISIONS |     |             |      |       |
|-----------|-----|-------------|------|-------|
| P.        | LTN | DESCRIPTION | DATE | APP'D |
| -         | -   | SEE SHEET 1 | -    | -     |
|           |     |             |      |       |
|           |     |             |      |       |

# 42 CIRCUIT SMT RECOMMENDED FOOTPRINT



DETAIL C  
SCALE 100:1

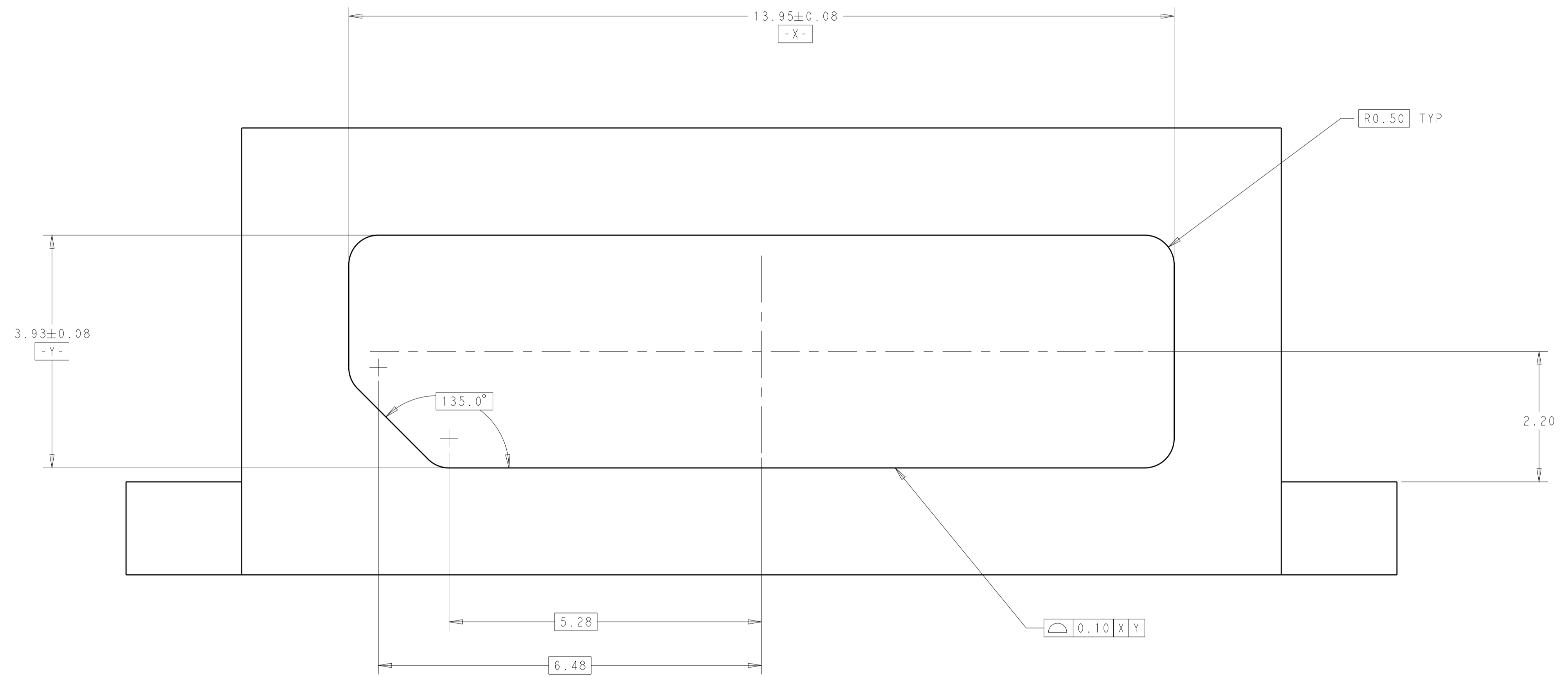
- NOTES:
1. MINIMUM RECOMMENDED SPACING IS 17.25MM.
  2. MINIMUM RECOMMENDED PCB THICKNESS: 1.57MM
  3. CONNECTOR KEEP OUT AREA.
  4. DATUM -A- ESTABLISHED FROM TOP SURFACE OF PCB.

|   |  |                             |  |
|---|--|-----------------------------|--|
| THIS DRAWING IS A CONTROLLED DOCUMENT.  |  | OWN: LEO LI 08FEB2017       | <br>TE Connectivity                        |
| DIMENSIONS: mm  |  | CHK: SEAN HAN 08FEB2017     |  |
| TOLERANCES UNLESS OTHERWISE SPECIFIED:<br>0 PLC ±0.25<br>1 PLC ±0.13<br>2 PLC ±0.13<br>3 PLC ±0.13<br>4 PLC ±0.13<br>ANGLES ±0.13 |  | APVD: SEAN HAN 08FEB2017    | NAME: NANO PITCH I/O FIXED RIGHT ANGLE, 4X |
| MATERIAL: SEE NOTE  |  | PRODUCT SPEC: 108-60118     | SIZE: A1                                   |
| FINISH: SEE NOTE  |  | APPLICATION SPEC: 114-60024 | CAGE CODE: -                               |
| CUSTOMER DRAWING  |  | WEIGHT: -                   | DRAWING NO: C=2308578                      |
| SCALE: 10:1   |  | SHEET 4 OF 5                |  |

THIS DRAWING IS UNPUBLISHED. RELEASED FOR PUBLICATION 20  
 © COPYRIGHT 20 BY - ALL RIGHTS RESERVED.

| REVISIONS |             |             |      |      |
|-----------|-------------|-------------|------|------|
| P.        | LTN         | DESCRIPTION | DATE | APVD |
| -         | SEE SHEET 1 |             | -    | -    |
|           |             |             |      |      |
|           |             |             |      |      |

# 42 CIRCUIT PANEL OPENING



|  |                  |                             |  |
|--|------------------|-----------------------------|--|
| THIS DRAWING IS A CONTROLLED DOCUMENT. |                  | OWN: LEO LI 08FEB2017       | <b>TE</b> TE Connectivity                  |
| DIMENSIONS: mm                         |                  | CHK: SEAN HAN 08FEB2017     |  |
| TOLERANCES UNLESS OTHERWISE SPECIFIED: |                  | APVD: SEAN HAN 08FEB2017    | NAME: NANO PITCH I/O FIXED RIGHT ANGLE, 4X |
| 0 PLC ±0.25                            | 1 PLC ±0.13      | PRODUCT SPEC: 108-60118     | SIZE: A1                                   |
| 2 PLC ±0.13                            | 3 PLC ±0.13      | APPLICATION SPEC: 114-60024 | CAGE CODE: -                               |
| 4 PLC ±0.13                            | ANGLES ±0.13     | WEIGHT: -                   | DRAWING NO: C=2308578                      |
| MATERIAL: SEE NOTE                     | FINISH: SEE NOTE | CUSTOMER DRAWING            | RESTRICTED TO: -                           |
| SCALE: 10:1                            |                  |                             | SHEET 5 OF 5 REV A                         |

## X-ON Electronics

Largest Supplier of Electrical and Electronic Components

*Click to view similar products for [I/O Connectors](#) category:*

*Click to view products by [TE Connectivity](#) manufacturer:*

Other Similar products are found below :

[571763P](#) [58098-0628](#) [61-168618-12P](#) [D38999/20FJ24PA L/C](#) [D38999/20FJ29SB L/C](#) [D38999/24FG11SN L/C](#) [72.250.1628.2](#) [72.250.2428.2](#)  
[74720-0505](#) [747680210](#) [76.350.0729.0](#) [76871-1403](#) [FCN-244F080-G/1](#) [FCN-260A9920](#) [FCN-268D024-G/2F#10X-R10](#) [PCS-E50FA](#) [PCS-XE26LKA](#) [PCS-XE26MA+](#) [PCS-XES68MS+](#) [G38A71314B](#) [91-569719-35R](#) [DX40-50P\(55\)](#) [1571250010](#) [157-22500-3](#) [1888020-8](#) [91-569786-35H](#) [91-569786-35M](#) [91-644626-35P](#) [172501-4002](#) [172501-6002](#) [FCN-260C008-A/L0](#) [FCN-260C024-AL0](#) [FCN-261Z008](#) [FCN-268D008-G/1K](#) [2000314-1](#) [200331-1](#) [2007498-2](#) [PCR-E28LMDAG1+](#) [PCR-E36FC+](#) [PCS-E28FS+](#) [PCS-XE26SLFD+](#) [PCS-XE26SLFDT+](#)  
[G38A71214B](#) [HDRA-E68W1LFDTC-SL+](#) [HDR-E14MSG1+](#) [R88A-CNK81S](#) [CRT1-ATT02](#) [54182-0605](#) [U90B2054081210](#)  
[UE86K842720321](#)