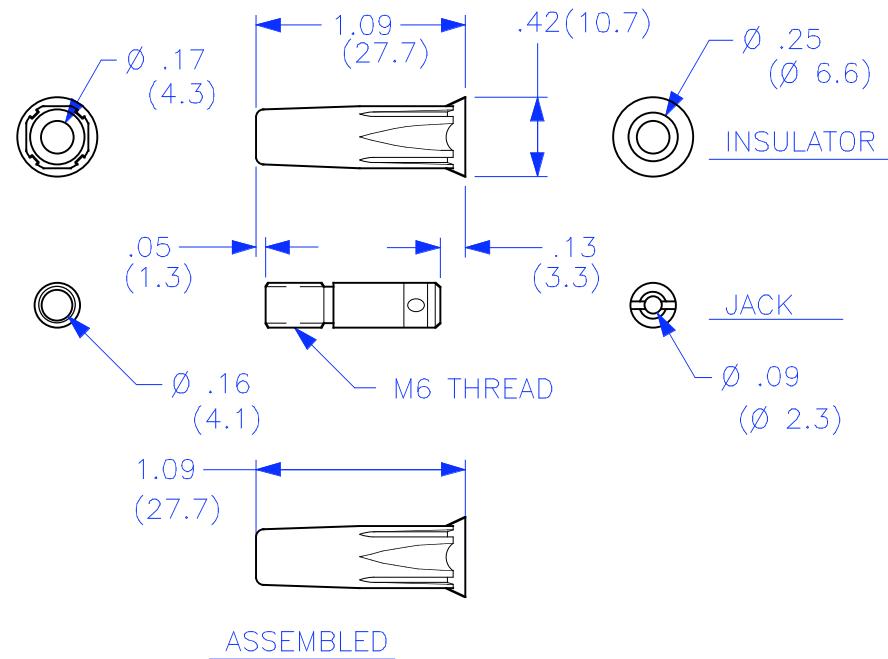


THIS IS ISSUED IN STRICT CONFIDENCE THAT IT IS NOT USED AS A BASIS FOR MANUFACTURE OR SALE AND THAT IT IS NOT COPIED, REPRINTED OR DISCLOSED TO A THIRD PARTY EITHER WHOLLY OR IN PART WITHOUT THE PRIOR WRITTEN CONSENT OF CAL TEST ELECTRONICS, INC.

REVISIONS			
REV.	DESCRIPTIONS	DATE	APPROVED
—	CLASS A RELEASED	7/11/99	

- DO-IT-YOURSELF (DIY) 4mm IN-LINE JACK, SOLDER ATTACHMENT.
- SPECIFICATIONS:
INSULATOR BODY: POLYAMIDE (NYLON)
JACK BODY: BRASS, NICKEL PLATED
- RATING:
VOLTAGE: 1,200V AC/DC
CURRENT: 36A MAX.
TEMPERATURE: -20° C TO +80° C.
- MAXIMUM WIRE SIZES:
CONDUCTOR: $\varnothing.090$ (12AWG)
STRIP LENGTH: .25 (6.4)



PART NUMBER

CT2213-#

- COLOR:
- 0 - BLACK
 - 2 - RED
 - 4 - YELLOW
 - 5 - GREEN
 - 6 - BLUE
 - 9 - WHITE

THIRD ANGLE PROJECTION		UNLESS OTHERWISE SPECIFIED DIMENSIONS ARE IN INCHES TOLERANCES ARE: FRACTIONS DECIMALS $\pm 1/32$.XX $\pm .02$.XXX $\pm .005$ DO NOT SCALE DRAWING	CONTRACT NO.		Cal Test Electronics 22820 Savi Ranch Parkway Yorba Linda, CA 92887-4610	
			APPROVALS	DATE	TITLE	
MATERIAL		DRAWN	WDH	DIY 4mm JACK, SOLDER		
FINISH		CHECKED		SIZE	A	
NEXT ASSY	USED ON	ENGR.		CAGE CODE	43F45	
APPLICATION		DESIGN ACTIVITY		DWG. NO.	P221300	
				SCALE	1:1	
				SHEET	1 OF 1	
				REV.	—	

X-ON Electronics

Largest Supplier of Electrical and Electronic Components

Click to view similar products for [Test Plugs & Test Jacks](#) category:

Click to view products by [Cal Test](#) manufacturer:

Other Similar products are found below :

[579-0400](#) [66000-7](#) [R644543000](#) [R921923000](#) [R921930000](#) [R941344000](#) [R948161000](#) [R999351000](#) [1408-4](#) [1533-1](#) [174-R825B-EX](#)
[NYS508-BU](#) [1680](#) [174-R819B-EX](#) [R644543003](#) [R644543004](#) [R644543020](#) [R644543021](#) [R921926000](#) [R921931000](#) [R921932000](#)
[R921934000](#) [R929991000](#) [R941460000](#) [R941461000](#) [R941463600](#) [R941920600](#) [R948160000](#) [31B-2-RED](#) [032-0016-023](#) [105-1106-001](#)
[108-1000-106](#) [108-2301-621](#) [66001-9](#) [7013](#) [1395080-1](#) [930166100](#) [NYS508-W](#) [NYS508-Y](#) [NYS511-R](#) [BP30-2BR10-B PKG](#) [BP30-10-WT](#)
[BP30-2BR-B PKG](#) [BP30Y-1 PKG](#) [R941049000](#) [R941340000](#) [R948141029](#) [R921922000](#) [R644543022](#) [R948142000](#)