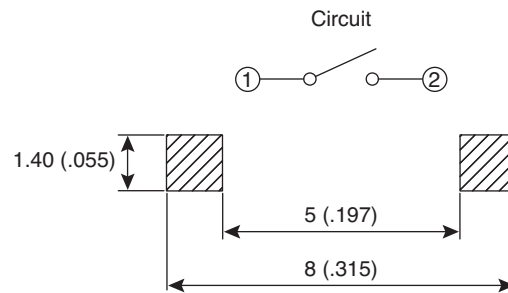
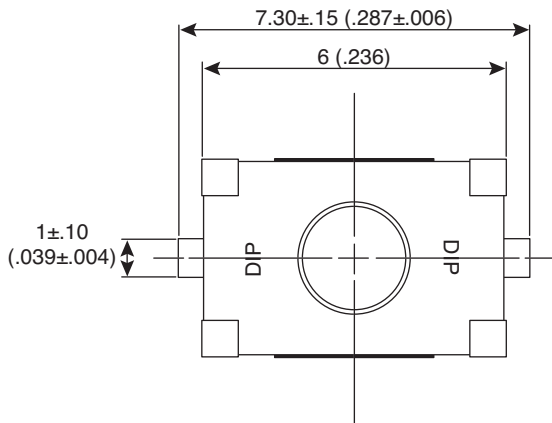
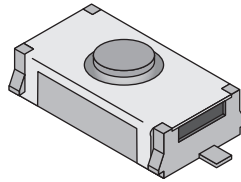
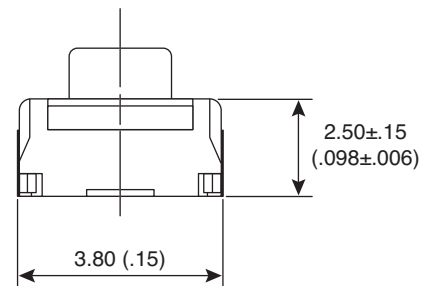
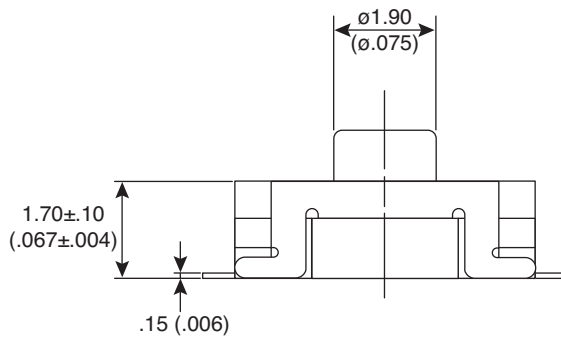


Dimensions: mm (in.)



P.C.B. Layout  
(View from the Direction A)



**Electrical Specifications:**

- Rating: 50mA/12VDC
- Dielectric Strength: 300 V AC(50Hz or 60Hz) for 1 minute
- Contact Resistance: 100mΩ Max.
- Insulation Resistance: 100VDC 100MΩ Min.

**Note:**

- RoHS Compliant

**Mechanical Specifications:**

- Operating Temperature: -40° C to +85° C
- Storage Temperature: -55° C to +85° C

Mouser Stock No.	Operating Force	Operating Life	Stroke
101-TF25N-EV	200 ± 50gf	200,000	.30 ± .15mm
101-TF25R-EV	300 ± 75gf	200,000	.35 ± .15mm
101-TF25S-EV	400 ± 100gf	100,000	.45 ± .15mm

**Tactile Switches**

101-TF25N-EV, 101-TF25R-EV, 101-TF25S-EV



# X-ON Electronics

Authorized Distributor

*Click to view similar products for [Tactile Switches](#) category:*

[B3F-1060](#) [TLE1105BF250Q](#) [101-TS4322T3201-EV](#) [5GTH9658222](#) [SKQYPCE010](#)  
[320.01E11WHT](#) [5ETH965](#) [SF320SH5X5H](#) [M22-KC01SMC10](#) [TL6215VF200GGT](#)