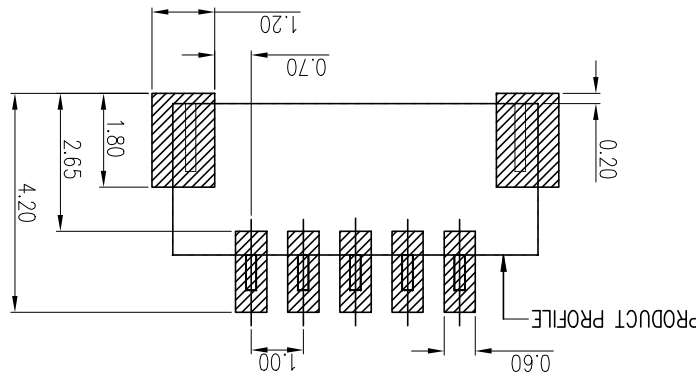


RECOMMENDED PCB LAYOUT  
GENERAL TOLERANCE ±0.05



DIMENSIONAL

POS	A	B	C	D	POS	A	B	C	D
11	10.00	11.50	13.00	12.30	11	10.00	11.50	13.00	12.30
10	9.00	10.50	12.00	11.30	10	9.00	10.50	12.00	11.30
9	8.00	9.50	11.00	10.30	9	8.00	9.50	11.00	10.30
8	7.00	8.50	10.00	9.30	8	7.00	8.50	10.00	9.30
7	6.00	7.50	9.00	8.30	7	6.00	7.50	9.00	8.30
6	5.00	6.50	8.00	7.30	6	5.00	6.50	8.00	7.30
5	4.00	5.50	7.00	6.30	5	4.00	5.50	7.00	6.30
4	3.00	4.50	6.00	5.30	4	3.00	4.50	6.00	5.30
3	2.00	3.50	5.00	4.30	3	2.00	3.50	5.00	4.30
2	1.00	2.50	4.00	3.30	2	1.00	2.50	4.00	3.30
1	0.00	1.50	3.00	2.30	1	0.00	1.50	3.00	2.30

mat'l. code	surface tolerance	ISO 1302	ISO 406	ISO 1101	product family	Mintek
ltr ecn no	date	tolerances unless otherwise specified			title	1.0mm Vertical Header
angles	linear	angular	linear	angular	scale	1:1
0.±.30	0.0±.20	0.±.30	0.0±.20	0.±.30	0.0±.20	0.±.30
0.±.30	0.0±.20	0.±.30	0.0±.20	0.±.30	0.0±.20	0.±.30
dr	TONY LENG	2018-03-19	dwg no	10147605	sheet 1 of 2 size	A3
eng	TONY LENG	2018-03-19	type	Product Customer Drawing		
chr	ZK HU	2018-03-19				
appd	TIM YAO	2018-03-19				
sheet revision	A	A	index sheet	1	2	

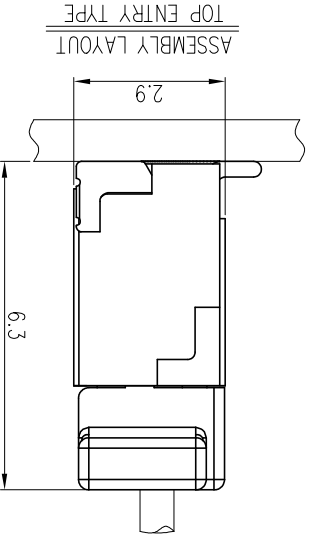
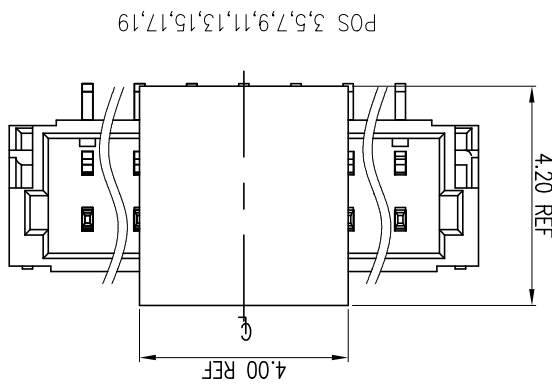
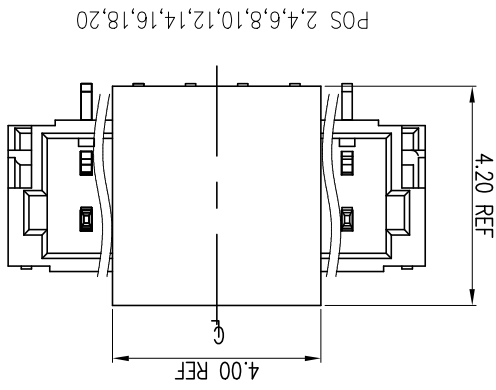
- NOTES:
1. MATERIAL SPECIFICATION  
1.1 INSULATION:PA9T UL 94V-0.
  - 1.2 CONTACT:THICK 0.20mm BRASS.
  - 1.3 SOLDER TAB:THICK 0.20mm BRASS.
  2. PLATING SPECIFICATION
  - 2.1 CONTACT:MATTE TIN/GOLD PLATED.
  - 2.2 SOLDER TAB:MATTE TIN PLATED.
  3. PRODUCT SPEC: GS-12-1465
  4. PACKAGING SPEC: GS-14-2613
  5. USE WITH AFCI HOUSING 10147603
  6. THIS HOUSING WILL WITHSTAND EXPOSURE TO 260°C PEAK TEMP FOR 10S IN A REFLOW OVEN.
  7. BILL OF PART NO:  
10147605 - X X X XX LF
- MATERIAL
- 0:PA9T NATURAL
  - 1:PA9T BLACK
- PLATING
- 0: MATTE TIN
  - 1: GOLD FLASH
- LEAD FREE
- 02 TO 20 TOTAL POSITIONS
  - 0: TAPE&REEL
  - PACKAGING



mat'l. code		ISO 1302	tolerance	ISO 406 ISO 1101	projection	product family	Mintek
ltr	ecn no	dr	date	tolerances unless otherwise specified			
angles	linear	0±.30	mm	title			
0±x°	linear	0.00±.20	mm	1.0mm Vertical Header			
0±x°	linear	0.00±.10	mm	scale 1:1			
dr	TONY LENG	2018-03-19	2018-03-19	dwg no	sheet 2 of 2 size		
eng	TONY LENG	2018-03-19	2018-03-19	10147605	A3		
chr	ZK HU	2018-03-19	2018-03-19	type Product Customer Drawing			
appd	TIM YAO	2018-03-19	2018-03-19	sheet revision A A			
index	sheet	1	2	sheet			

STATUS:Released Printed: Jul 05, 2018

PDS: Rev: A



6 5 4 3 2 1 A B C D

## X-ON Electronics

Largest Supplier of Electrical and Electronic Components

*Click to view similar products for [Headers & Wire Housings](#) category:*

*Click to view products by [Amphenol](#) manufacturer:*

Other Similar products are found below :

[95000-104TRLF](#) [10135584-644402LF](#) [DF62W-EP2022PCA](#) [95000-106TRLF](#) [DF62W-2022SCA](#) [DF62W-EP2022PC](#) [2203348](#) [DF62W-2022SC](#) [1084018](#) [1029039](#) [1084017](#) [802-10-012-10-002000](#) [1112640](#) [1112639](#) [000-34000](#) [0009482033](#) [0009507031](#) [57102-S06-03LF](#) [57202-S52-04LF](#) [PCN6-15S-2.5E](#) [0039019024](#) [58102-G61-06LF](#) [582553-1](#) [0009485154](#) [0009508121](#) [0022285053](#) [0050291907](#) [018731A](#) [LY20-4P-DT1-P1E-BR](#) [02.125.8002.8](#) [60101931](#) [60598-1 \(Cut Strip\)](#) [M1625-3R/100](#) [61062-3](#) [61082-181009](#) [636-1427](#) [638009-1](#) [641938-9](#) [641991-4](#) [644168-1](#) [647662-1](#) [65039-019ELF](#) [65817-002LF](#) [65817-015LF](#) [65863-015LF](#) [66207-023LF](#) [67016-026LF](#) [67046-001LF](#) [67095-007LF](#) [67230-005LF](#)