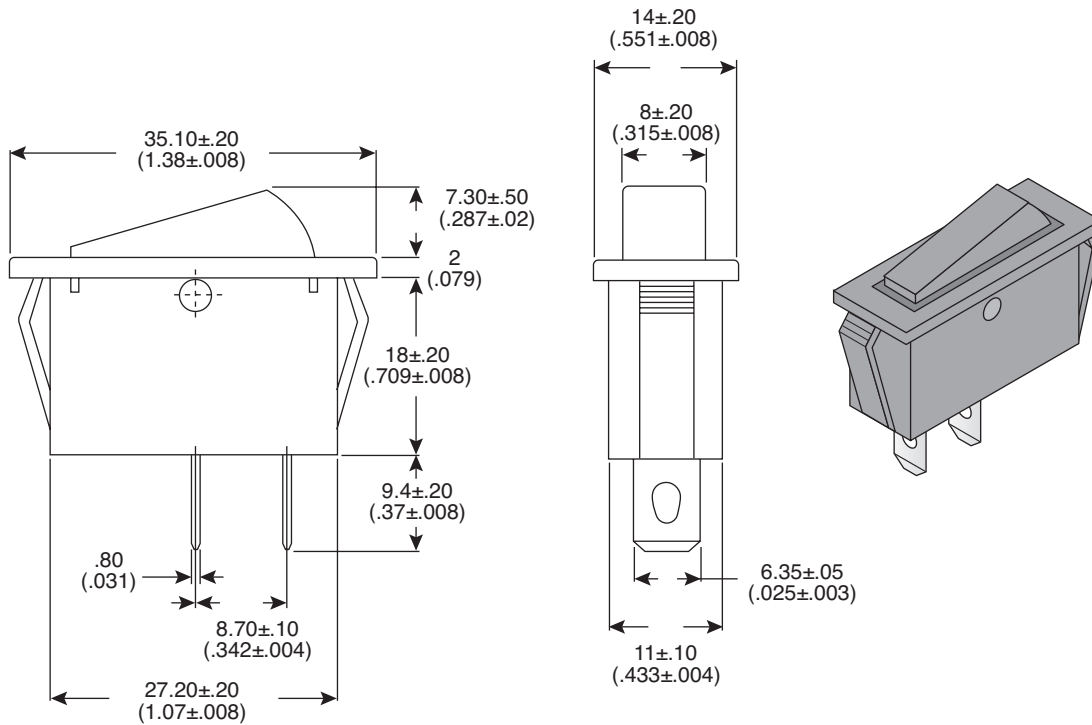


Dimensions: mm (In.)



**Electrical Specifications:**

- Rating: 30A / 12VDC, 16A / 125VAC, 10A / 250 VAC
- Contact Resistance: 50m  $\Omega$  max.
- Insulation Resistance: 500 VDC 100M  $\Omega$  min.
- Dielectric Strength: 1500 VAC 1 minute

**Mechanical Specifications:**

- Circuit: 2P SPST On-Off

**Note:**

- RoHS Compliant

**Rocker Switch**  
103-7081-EV



# X-ON Electronics

Authorized Distributor

*Click to view similar products for [Rocker Switches](#) category:*

[M2032TXW30-DA](#) [7101J1V4BE2](#) [7108J2ZQE1](#) [7215J1AV2BE2](#) [7401J3ZQE3](#) [MLW3020-00-RA-1A](#) [MLW3022-00-RA-1A](#) [A226L11YZQ](#) [R1973BBLKRILEF4](#) [AML24GBA2BA05](#)