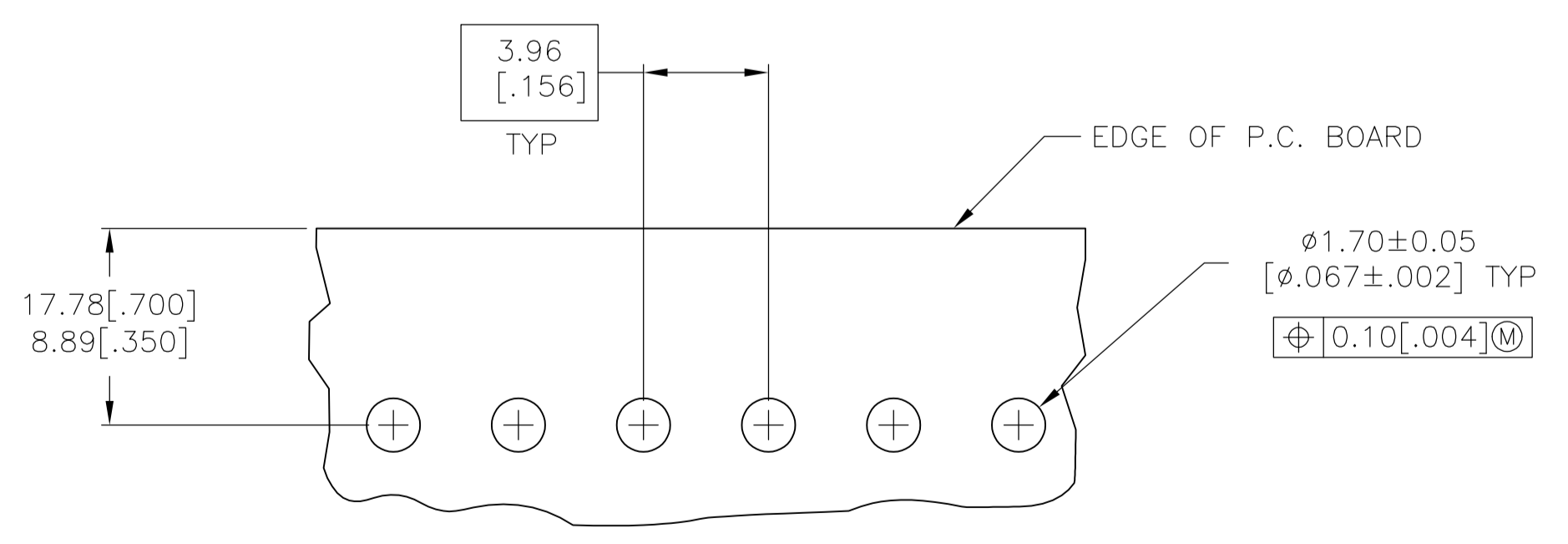
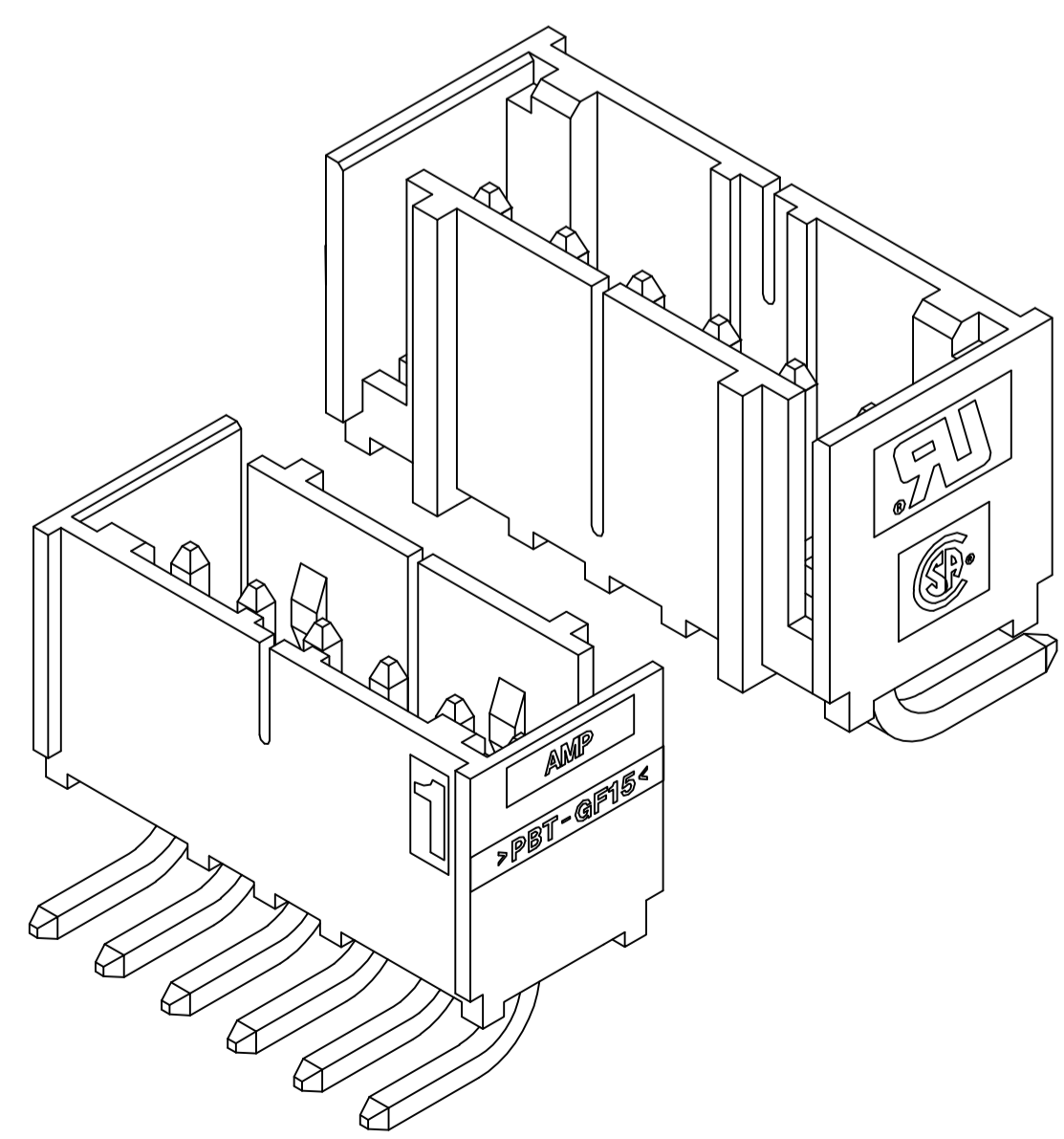
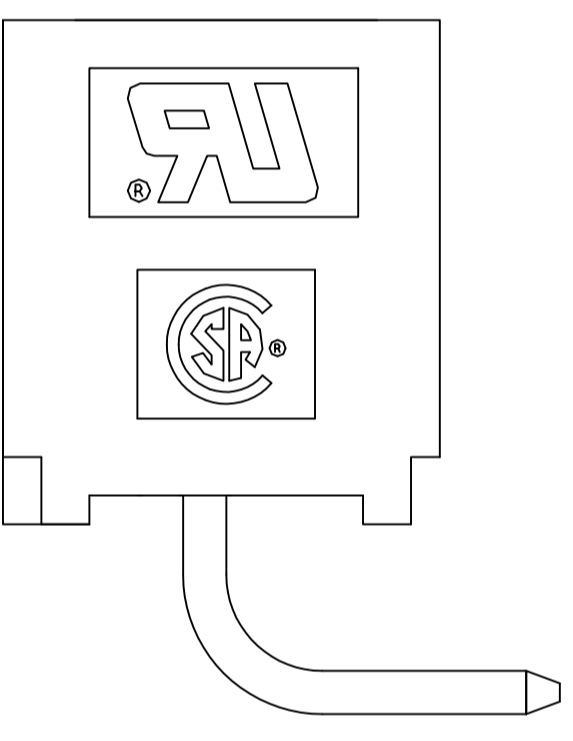
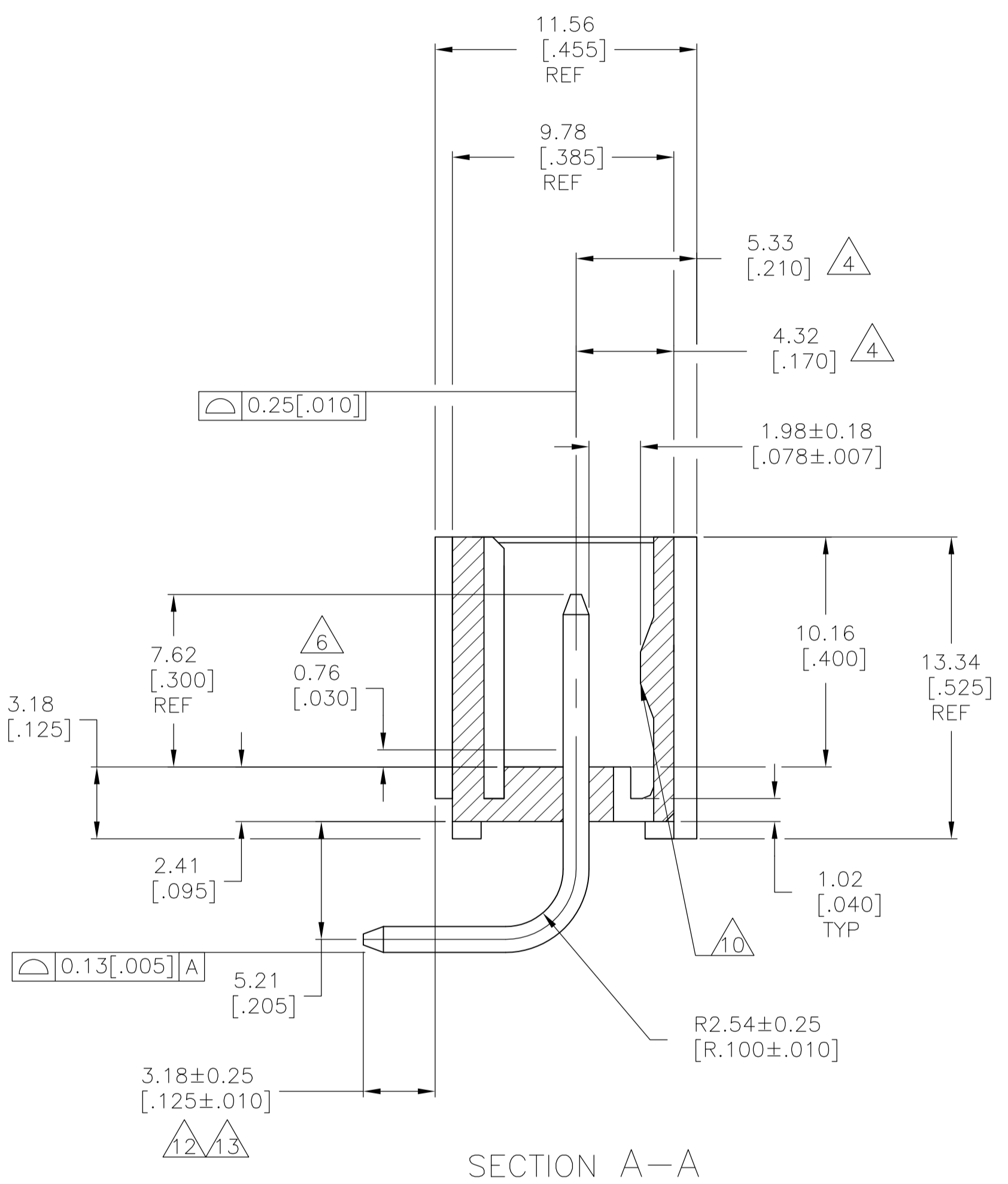
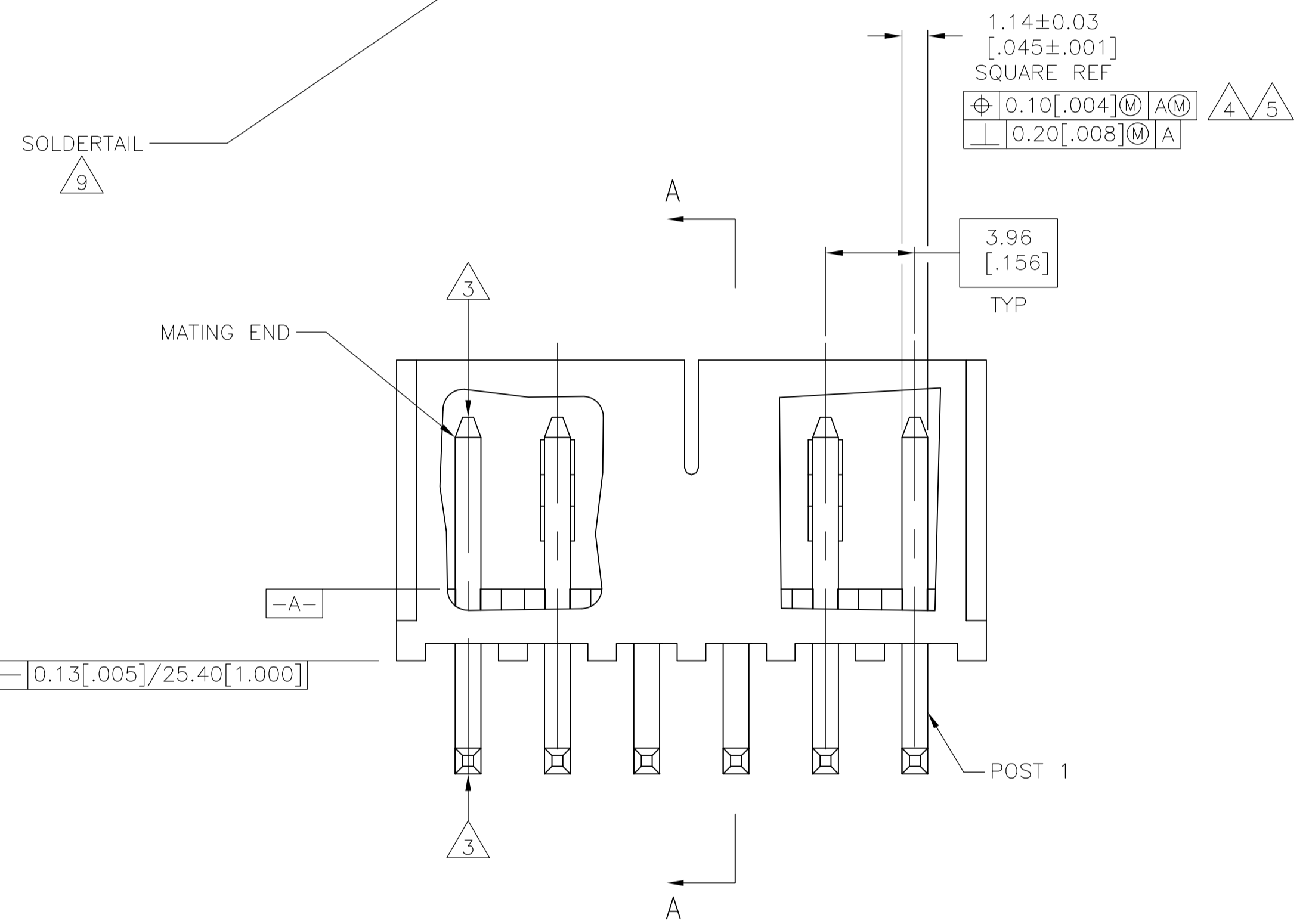
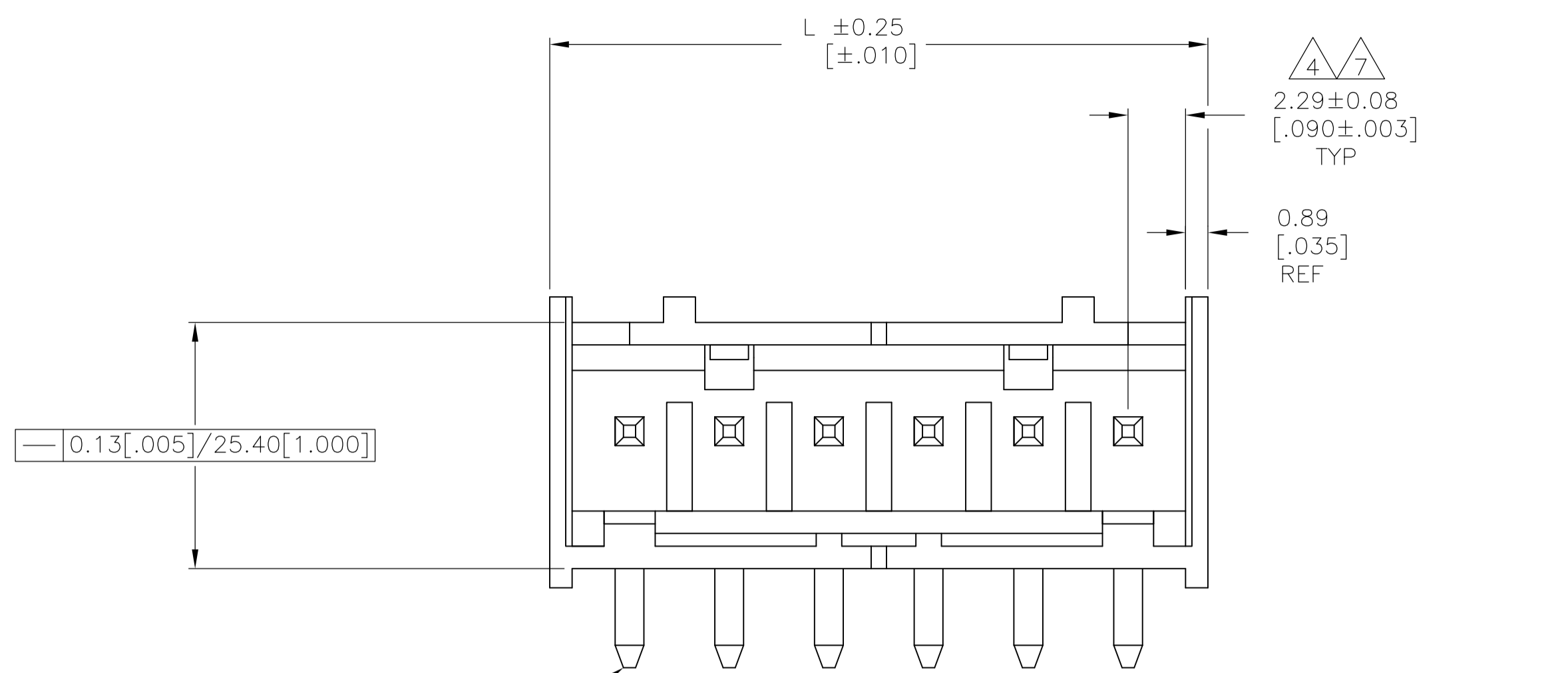


LOC		DIST		REVISIONS			
CM	0	P	LTR	DESCRIPTION	DATE	DWN	APVD
E1	REVISED	PER	ECR-15-007038		28SEP2015	NK	PQ



- 1 MATERIAL:  
HOUSING - THERMOPLASTIC POLYESTER, GLASS FILLED, UL94-0.  
POST - COPPER ALLOY
- 2 FINISH:  
HOUSING - BLACK  
POST - SEE NOTES 12 AND 13.
- 3 POST TO WITHSTAND 3LBS. (16N) MIN AXIAL FORCE IN THIS DIRECTION WITHOUT DISLODGING.
- 4 APPLIES AT -A-.
- 5 APPLIES WHEN HEADER IS STRAIGHT.
- 6 PLASTIC PROJECTIONS PERMITTED IN THIS ZONE.
- 7 COORDINATE DIMENSIONS APPLIES FROM CENTER OF ACTUAL FEATURE.
- 8 SOLDER SIDE OF BOARD IS SHOWN.
- 9 POST SOLDER TAIL MUST COMPLY WITH AMP SOLDERABILITY SPEC 109-11-2.
- 10 LATCH DETENT FEATURE APPEARS 1 PLACE ON EACH END OF PART (MAX OF 2 PER PART) ON ALL POSITIONS 4 THRU 12. THE LATCH APPEARS ONLY ONE PLACE ON 2 & 3 POSITION PARTS.
- 11. DIMENSIONS IN BRACKETS ARE IN INCHES.
- 12 MATTE TIN PLATE 0.00381 - 0.00889 [.000150 - .000350] THICK, OVER NICKEL UNDERPLATE 0.00127 [.000050] MIN THICK.
- 13 MATTE TIN PLATE 0.00381 - 0.00889 [.000150 - .000350] THICK, OVER NICKEL UNDERPLATE 0.00127 [.000050] MIN THICK.
- 14 OBSOLETE PARTS: OBSOLETE CIS STREAMLINING PER D.RENAUD/D.SINISI

PLATING	MM	IN	NO. OF POSN	PART NUMBER	
SUPERSEDED	49.94	1.966	12	3-647125-2	
	45.97	1.810	11	3-647125-1	
	42.01	1.654	10	3-647125-0	
	38.05	1.498	9	2-647125-9	
	34.09	1.342	8	2-647125-8	
	30.12	1.186	7	2-647125-7	
	26.16	1.030	6	2-647125-6	
	22.20	.874	5	2-647125-5	
	18.24	.718	4	2-647125-4	
	14.27	.562	3	2-647125-3	
	10.31	.406	2	2-647125-2	
	OBSOLETE	49.94	1.966	12	1-647125-2
		45.97	1.810	11	1-647125-1
42.01		1.654	10	1-647125-0	
38.05		1.498	9	647125-9	
34.09		1.342	8	647125-8	
SUPERSEDED	30.12	1.186	7	647125-7	
	26.16	1.030	6	647125-6	
	22.20	.874	5	647125-5	
OBSOLETE	18.24	.718	4	647125-4	
	14.27	.562	3	647125-3	
OBSOLETE	10.31	.406	2	647125-2	

647125-6 SHOWN

THIS DRAWING IS A CONTROLLED DOCUMENT.		DIN B. LEWIS	17JUN98	 TE Connectivity
DIMENSIONS: mm [INCHES]		CIK R. SWING	17JUN98	
TOLERANCES UNLESS OTHERWISE SPECIFIED:		APVD D. CLARK	17JUN98	NAME
0 PLC	± -	PRODUCT SPEC		MTA-156 SHROUDED HEADER ASSEMBLY, RIGHT ANGLE FRONT BEND .045 SQUARE POST, TIN, W/O RETENTION PEG
1 PLC	± -	APPLICATION SPEC		SIZE
2 PLC	± -	WEIGHT		CAGE CODE
3 PLC	± .005	CUSTOMER DRAWING		DRAWING NO.
4 PLC	± -	SCALE		REV
ANGLES	± -	SHEET		1 OF 1
		REV		E1

## X-ON Electronics

Largest Supplier of Electrical and Electronic Components

*Click to view similar products for [Headers & Wire Housings](#) category:*

*Click to view products by [TE Connectivity](#) manufacturer:*

Other Similar products are found below :

[95000-104TRLF](#) [10135584-644402LF](#) [DF62W-EP2022PCA](#) [95000-106TRLF](#) [DF62W-2022SCA](#) [DF62W-EP2022PC](#) [2203348](#) [DF62W-2022SC](#) [1084018](#) [1029039](#) [1084017](#) [802-10-012-10-002000](#) [1112640](#) [1112639](#) [000-34000](#) [0009482033](#) [0009507031](#) [57102-S06-03LF](#) [57202-S52-04LF](#) [PCN6-15S-2.5E](#) [0039019024](#) [58102-G61-06LF](#) [582553-1](#) [0009485154](#) [0009508121](#) [0022285053](#) [0050291907](#) [018731A](#) [LY20-4P-DT1-P1E-BR](#) [02.125.8002.8](#) [60101931](#) [60598-1 \(Cut Strip\)](#) [M1625-3R/100](#) [61062-3](#) [61082-181009](#) [636-1427](#) [638009-1](#) [641938-9](#) [641991-4](#) [644168-1](#) [647662-1](#) [65039-019ELF](#) [65817-002LF](#) [65817-015LF](#) [65863-015LF](#) [66207-023LF](#) [67016-026LF](#) [67046-001LF](#) [67095-007LF](#) [67230-005LF](#)