



CHASSIS MOUNT

DC-DC CONVERTERS

QUARTER BRICK PACKAGE

WITH HEATSINK

33 TO 150 WATT 4:1 INPUT RANGE



FEATURES

- * 33-150W Isolated Output
- * 4:1 Wide Input Range
- * Chassis Mount/Din Rail Mount
- * Input Over Voltage Protection
- * Regulated Outputs
- * Continuous Short Circuit Protection
- * CE Mark Meets 2014/30/EU
- * Safety Meets UL60950-1, EN60950-1, and IEC60950-1
- * UL60950-1 Approval for DC Modules



Ordering Information

CHB(E)XXX-	XX	S	XX	N	-XXX	+X-XXXX
Model No.	Nominal Input Voltage		Output Voltage	Remote On/Off		Heat Sink Type (Option)
CQE50W CQB75W CQB100W	24: 24VDC 48: 48VDC	Single Output	3V3 : 3.3VDC 05 : 5VDC 12 : 12VDC 15 : 15VDC 24 : 24VDC	None: Positive Logic N: Negative Logic	CM: Chassis Mount DIN: Din Rail Mount	M-C448 M-C421
CQE50W			48 : 48VDC			
CQB100	110: 110VDC		05 : 5VDC 12 : 12VDC 24 : 24VDC			
CQB150W	24: 24VDC 48: 48VDC 110: 110VDC		12 : 12VDC 24 : 24VDC 28 : 28VDC 48 : 48VDC			

Require input an aluminum capacitor connected in the table below.

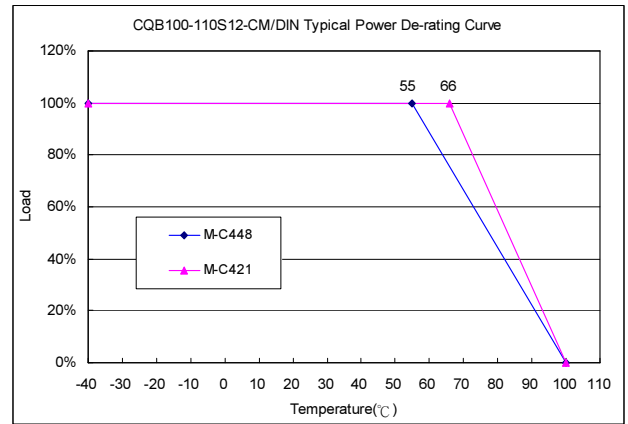
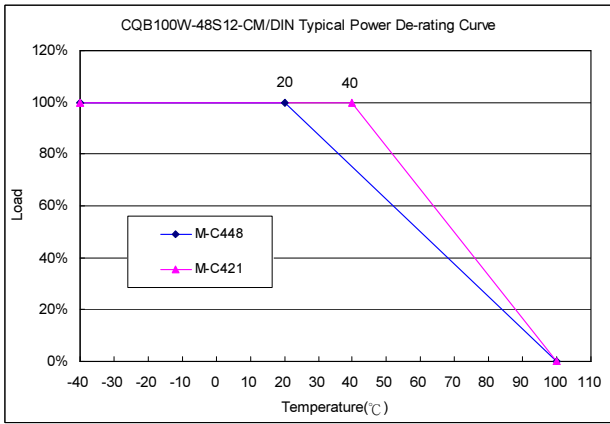
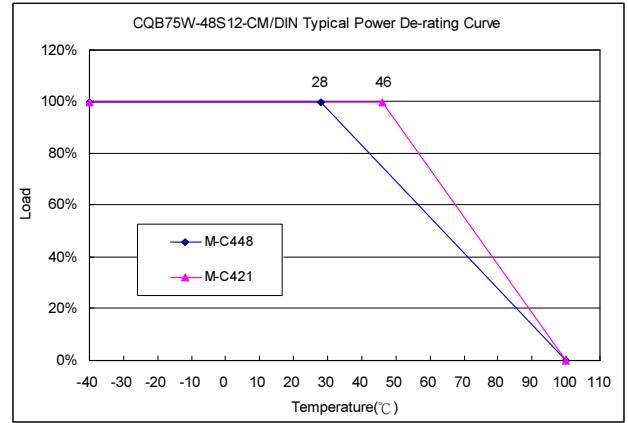
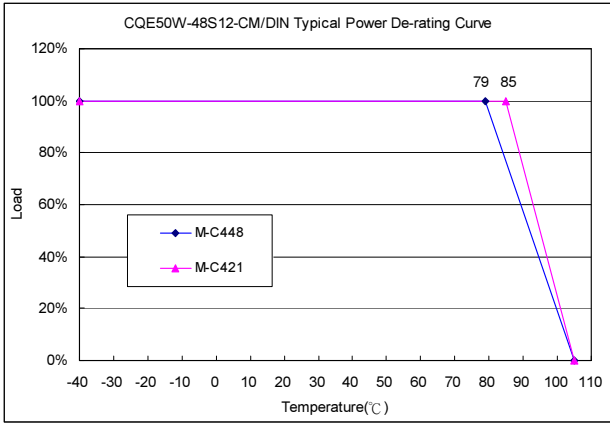
MODEL NUMBER	INPUT
CQE50W-XXSXX-CM/DIN	220uF/100V for 24Vin Models 47uF/100V for 48Vin Models
CQB75W-XXSXX-CM/DIN	220uF/100V for 24Vin Models
CQB100W-XXSXX-CM/DIN	100uF/100V for 24Vin Models 47uF/100V for 48Vin Models
CQB100-110SXX-CM/DIN	120uF/200V
CQB150W-XXSXX-CM/DIN	470uF/50V for 24Vin Models 220uF/100V for 48Vin Models 220uF/200V for 110Vin Models

NOTE:

1. Short JP1 to connect +S and +Vo, JP2 to connect -S and -Vo with local sense.
2. Remove jumper(JP1& JP2),terminal block port +S, -S & Trim can be used to Output Remote Sensing or Output Voltage Adjustment functional(see application note).
3. Thermal resistance is referenced to the application note.
4. Include TVS for input surge voltage protection.
5. Recommend external fuse for input reverse polarity protection (Include shunt diode inside).
6. Suffix "DIN" to the Model number with din mount, the clip is suitable for TS-35 din rail.

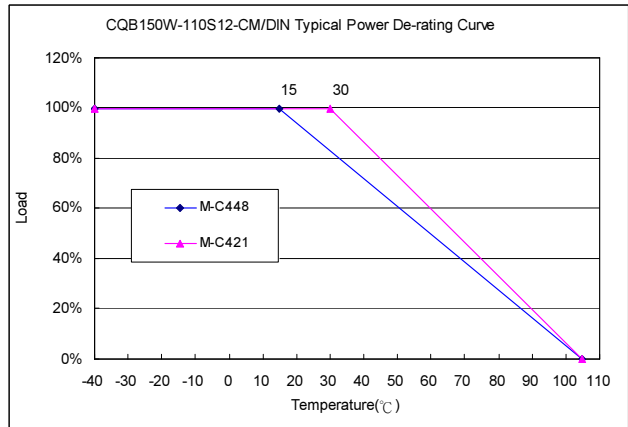
POWER DERATING CURVE

Typical Derating Curves At Nominal Line, Full Load, and natural convection

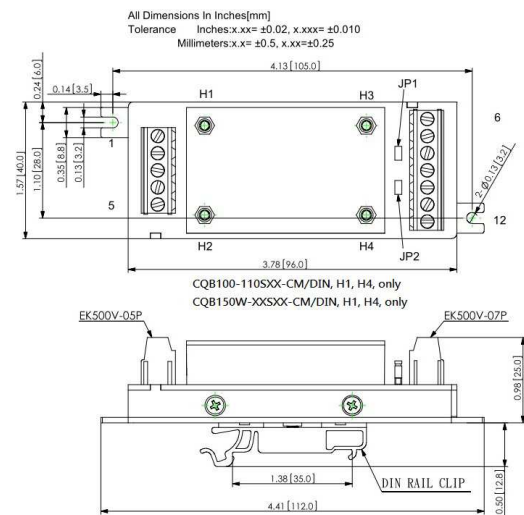
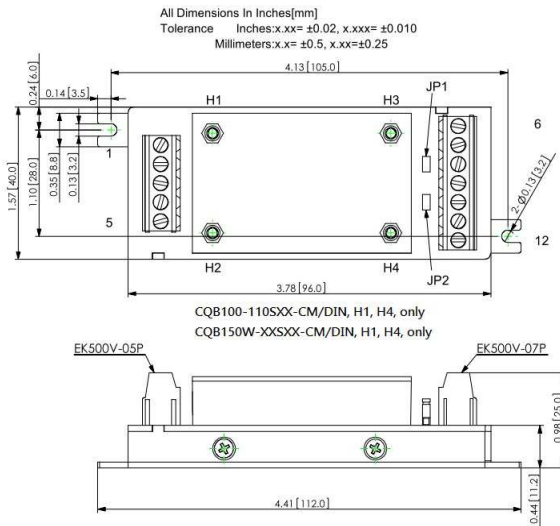


Mechanical Specification

PIN CONNECTIONS			
PIN	FUNCTION	PIN	FUNCTION
1,2	+V Input	10	-Sense
3	On/Off	11,12	- V Output
4,5	-V Input	JP1	Short +S& +Vo
6,7	+V Output	JP2	Short -S& -Vo
8	+Sense		
9	Trim		



Suffix -CM (Left Side) / Suffix-DIN(Right Side)



X-ON Electronics

Largest Supplier of Electrical and Electronic Components

Click to view similar products for [Isolated DC/DC Converters](#) category:

Click to view products by [Cincon](#) manufacturer:

Other Similar products are found below :

[ESM6D044440C05AAQ](#) [FMD15.24G](#) [PSL486-7LR](#) [PSR152.5-7IR](#) [Q48T30020-NBB0](#) [AVO240-48S12B-6L](#) [AVO250-48S28B-6L](#) [NAN-0505](#) [HW-L16D](#) [JAHW100Y1](#) [217-1617-001](#) [22827](#) [SPB05C-12](#) [SQ24S15033-PS0S](#) [18952](#) [19-130041](#) [CE-1003](#) [CE-1004](#) [GQ2541-7R](#) [PSE1000DCDC-12V](#) [RDS180245](#) [MAU228](#) [419-2065-201](#) [449-2075-101](#) [TME 0303S](#) [TME 0505S](#) [TME 1205S](#) [TME 1212S](#) [TME 2405S](#) [TME 2412S](#) [V300C24C150BG](#) [419-2062-200](#) [419-2063-401](#) [419-2067-101](#) [419-2067-501](#) [419-2068-001](#) [DCG40-5G](#) [DFC15U48D15](#) [449-2067-000](#) [XGS-0512](#) [XGS-1205](#) [XGS-1212](#) [XGS-2412](#) [XGS-2415](#) [XKS-1215](#) [033456](#) [NCT1000N040R050B](#) [SPB05B-15](#) [SPB05C-15](#) [TME 0509S](#)