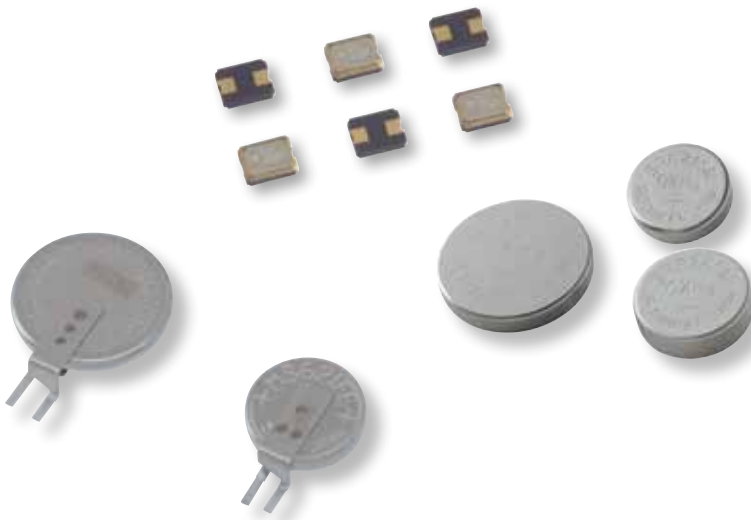


| Micro Battery



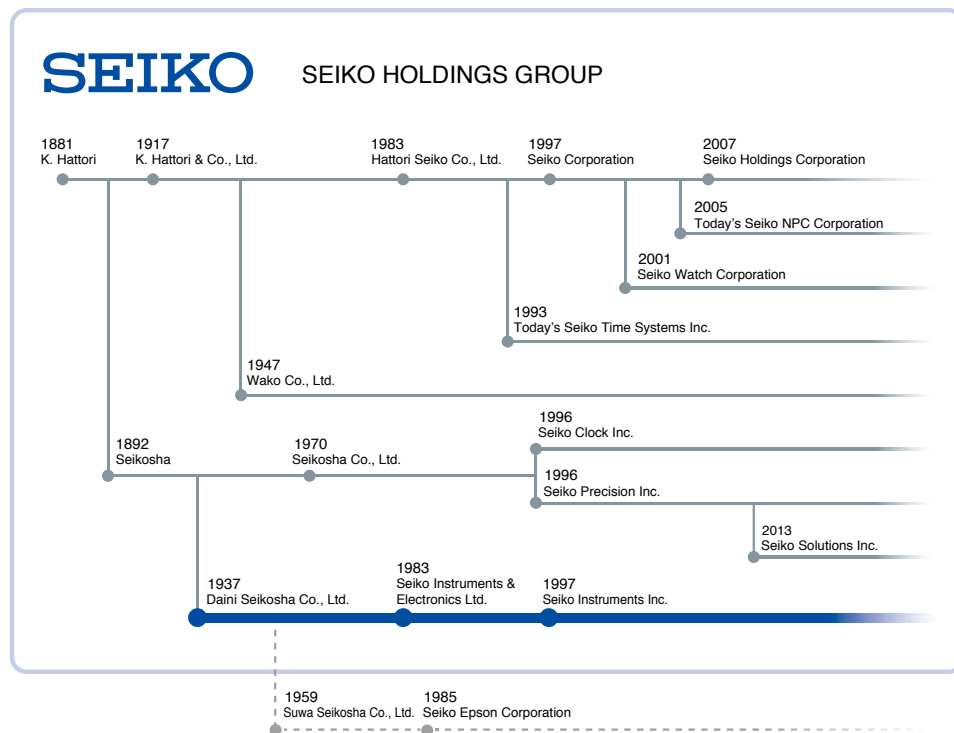
Creating Time - Optimizing Time - Enriching Time

Seiko Instruments Inc. (SII), founded in 1937 as a member of the Seiko Group specializing in the manufacture of watches, has leveraged its core competency in high precision watches to create a wide range of new products and technologies.

Over the years SII has developed high-precision processed parts and machine tools that pride themselves on their sub-micron processing capability, quartz crystals that came about as a result of our quartz watch R&D, and electronic components such as micro batteries.

Optimizing our extensive experience and expertise, we have since diversified into such new fields as compact, lightweight, exceedingly quiet thermal printers, and inkjet printheads, a key component in wide format inkjet printers for corporate use.

SII, in the years to come, will maintain an uncompromised dedication to its time-honored technologies and innovations of craftsmanship, miniaturization, and efficiency that meet the needs of our changing society and enrich the lives of those around us.



CONTENTS

Product Introduction	3	ML Lithium Rechargeable Battery	18
Micro battery Products Lineup	5	CPH Capacitor	19
Example of a Application Circuit	6	CPX Capacitor	
Charging Circuit	7	<Low ESR, Low Leak Current, Reflowable>.....	20
MS Lithium Rechargeable Battery	8	Mercury Free Silver Oxide Battery : SEIZAIKEN	22
MS Lithium Rechargeable Battery		Selection Check Sheet	24
<Wide Temperature Range>.....	14	Environmental Activities	25
TS Lithium Rechargeable Battery	16	Precautions for Your Safety	26

PRECISION, CRAFTSMANSHIP and MINIATURIZATION

Leveraging Watch Making Technology

🕒 With Precision, we apply our Craftsmanship to provide Miniaturization advantages to customers' product development around the world.

Stable and reliable
Rechargeable Battery & Capacitor

For the IoT product

No corrosion, strong, ultra high elasticity and no magnetization
Superior material
"SPRON"

For material used in harsh environments

For magnetic applied sensor components

For wearable devices

Excellent heat and corrosion resistance
Samarium-cobalt Magnet
"DIANET"

Precise Timing with Lowest Power consumption

Small and powerful Silver Oxide Battery
Silver Oxide Battery
"SEIZAIKEN"

Precise Timing for Electronic Devices

Tuning Fork Quartz Crystal Resonator

Electronic Components and High-performance Materials

SII's electronic components were originally derived from the development and manufacturing of quartz watches.



Since 1953

**No corrosion, strong,
ultra high elasticity
Co-Ni alloy product**

"SPRON"

The sophisticated metal product, "SPRON", was born as a material to be used in a "mainspring", which is a drive source of mechanical watches. "SPRON" has been used for over 50 years as a drive source of watches by utilizing its high elasticity, high strength, and high heat resistance. Evaluated highly for its corrosion resistance and durable quality, "SPRON" is used for key devices in various fields like valves in semiconductor manufacturing equipment and dental treatment devices.



Since 1975

**Small and powerful
Silver Oxide Battery
"SEIZAIKEN"**

A small-sized primary battery that features a large electrical capacity and almost no voltage drop until the last stage of electrical discharge even though its minimum diameter is 4 mm. Since the birth of quartz watches, we have developed batteries to increase their electrical capacity. We have also pursued better leakage resistance and long term reliability characteristics. It is expected to be used as a power supply for disposable, wearable, IoT, and the low energy Bluetooth products.



Since 1976

**Precise Timing for
Electronic Devices
"Tuning Fork Quartz
Crystal Resonator"**

Tuning Fork Quartz Crystal Resonators were developed as the basis for accuracy in the Quartz Watch. Our high quality and reliability was prioritized to meet the stringent requirements for watches. Recent demand in IoT developments where devices are required to operate with low power consumption and accurate communication protocol timing have increased the demand for smaller components with the same rugged reliability as is required in watches. For applications which require absolute lowest power consumption, our Timing Crystals are available in our Low CL specifications.



Since 1979

**Excellent heat and
corrosion resistance
Samarium-cobalt
Magnet
"DIANET"**

"DIANET", which has its origin in rotor magnets of quartz watches, has superior heat resistance and strong magnetic force even though its outside diameter is only 1 mm or less. The Sendai Unit acquired ISO/TS16949 Quality Management System for the automotive production industry. "DIANET" is used for a wide range of automotive products, and its advanced quality and performance are highly recognized. In addition, "DIANET" is also used in actuators of cameras for smart phones and medical devices.



Since 1988

**Stable and reliable
Rechargeable Battery
and Capacitor**

The rechargeable batteries supporting a wide temperature range of -40°C to 85°C are available in our lineup. They are suitable for operating very low power consumption devices, for backup power supply of clock and memory functions of a wide range of products. The capacitor will correspond to the new needs of energy harvesting devices. Capacitors are extremely useful in various applications.

Micro battery Products Lineup

Our rechargeable batteries, capacitors and silver oxide batteries are available in various sizes for broad range of applications.

Lithium Rechargeable Battery Features

- Excellent cycle characteristics
- Available in many compact sizes
- Wide Temperature Range (MS-T)

Capacitor Features

- Reflowable and high reliability
- Super small and thin size
- High output and Low ESR (CPX)

Silver Oxide Battery Features

- Stable output voltage
- Available in many sizes of $\phi 1\text{mm}$ or less
- High capacity and High output

Lithium Rechargeable Battery

Series	Type	Size (DxH) (mm)	Nominal Voltage (V)	Nominal Capacity (mAh)	Internal Impedance (Ω)	Operating Temperature Range ($^{\circ}\text{C}$)	Cycle Life (100% D.O.D.) (Time)	Reflowable
MS	MS412FE	4.8 x 1.2	3	1.0	100	-20 to +60	100	-
	MS414GE	4.8 x 1.4	3	2.0	100	-20 to +60	50	-
	MS518SE	5.8 x 1.8	3	3.4	90	-20 to +60	100	-
	MS614SE	6.8 x 1.4	3	3.4	80	-20 to +60	100	-
	MS621FE	6.8 x 2.1	3	5.5	80	-20 to +60	100	-
	MS920SE	9.5 x 2.1	3	11.0	35	-20 to +60	100	-
MS-T	MS621T	6.8 x 2.1	3	3.0	80	-40 to +85	100	-
	MS920T	9.5 x 2.0	3	6.5	60	-40 to +85	100	-
TS	TS621E	6.8 x 2.1	1.5	2.5	50	-20 to +60	100	-
	TS920E	9.5 x 2.0	1.5	5.5	20	-20 to +60	50	-
ML	ML414H	4.8 x 1.4	3	1.0	600	-20 to +60	300*	Yes

*10% D.O.D.

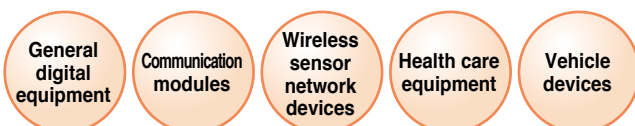
Electric Double Layer Capacitor

Series	Type	Size (LxWxH) (mm)	Maximum Use Voltage (V)	Capacitance (mF)	Internal Impedance (Ω)	Temperature Range ($^{\circ}\text{C}$)	Reflowable
CPH	CPH3225A	3.2 x 2.5 x 0.9	3.3	11.0	160	-20 to +60	Yes
CPX	CPX3225A	3.2 x 2.5 x 0.9	2.6	7.5	25	-30 to +70	Yes

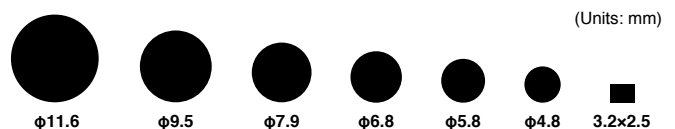
Silver Oxide Battery (High Dain)

Type	Nominal Voltage (V)	Nominal Capacity (mAh)	Size (DxH) (mm)	Weight (g)
SR626W	1.55	28	6.8 x 2.60	0.39
SR721W	1.55	26	7.9 x 2.10	0.41
SR726W	1.55	34	7.9 x 2.60	0.52
SR41W	1.55	45	7.9 x 3.60	0.67
SR920W	1.55	42	9.5 x 2.05	0.60
SR927W	1.55	53, 60	9.5 x 2.70	0.75
SR1120W	1.55	53	11.6 x 2.05	0.93
SR1130W	1.55	80	11.6 x 3.05	1.29
SR43W	1.55	120	11.6 x 4.20	1.75
SR44W	1.55	160	11.6 x 5.40	2.20

Applications

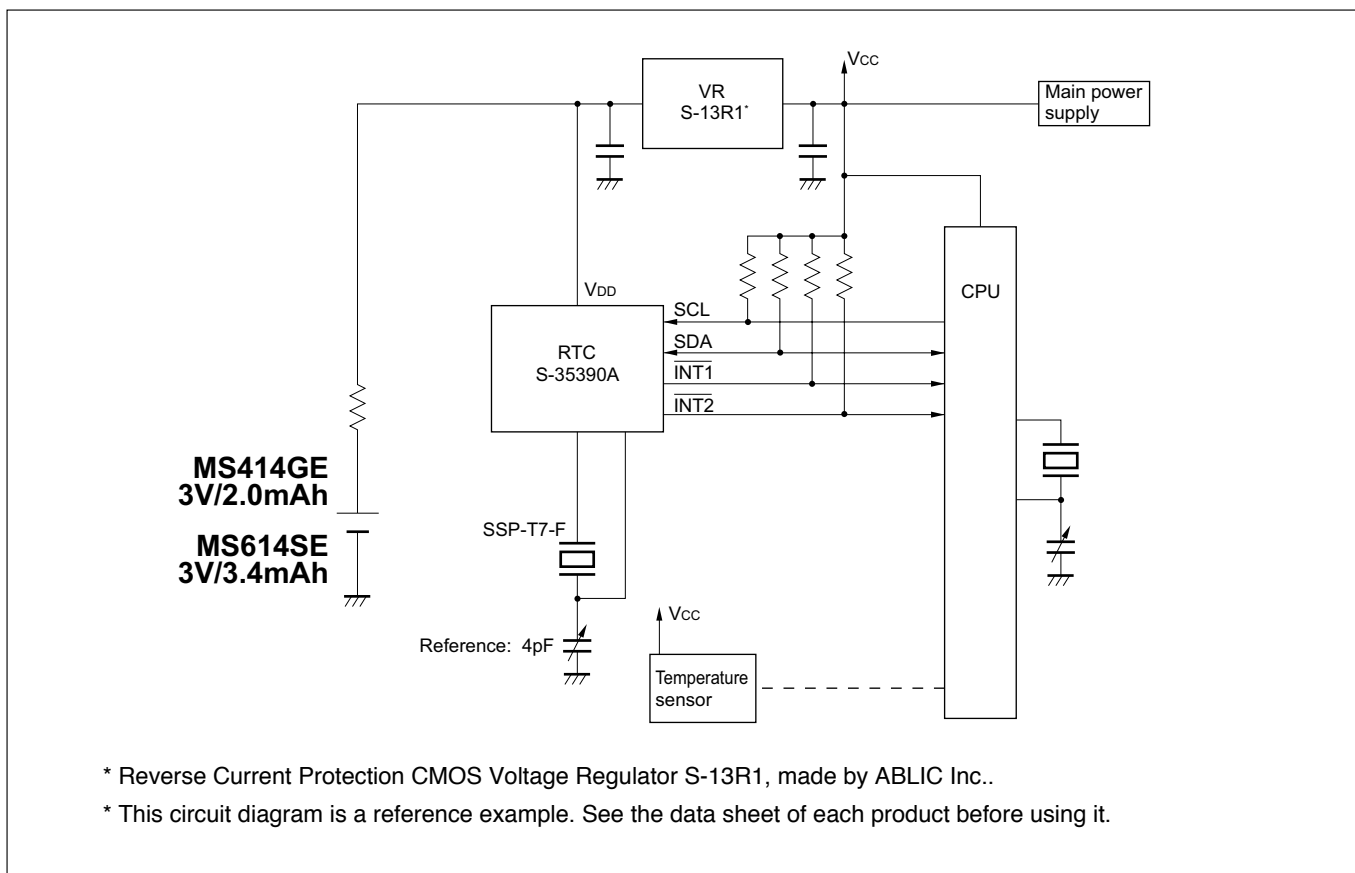


Actual sizes

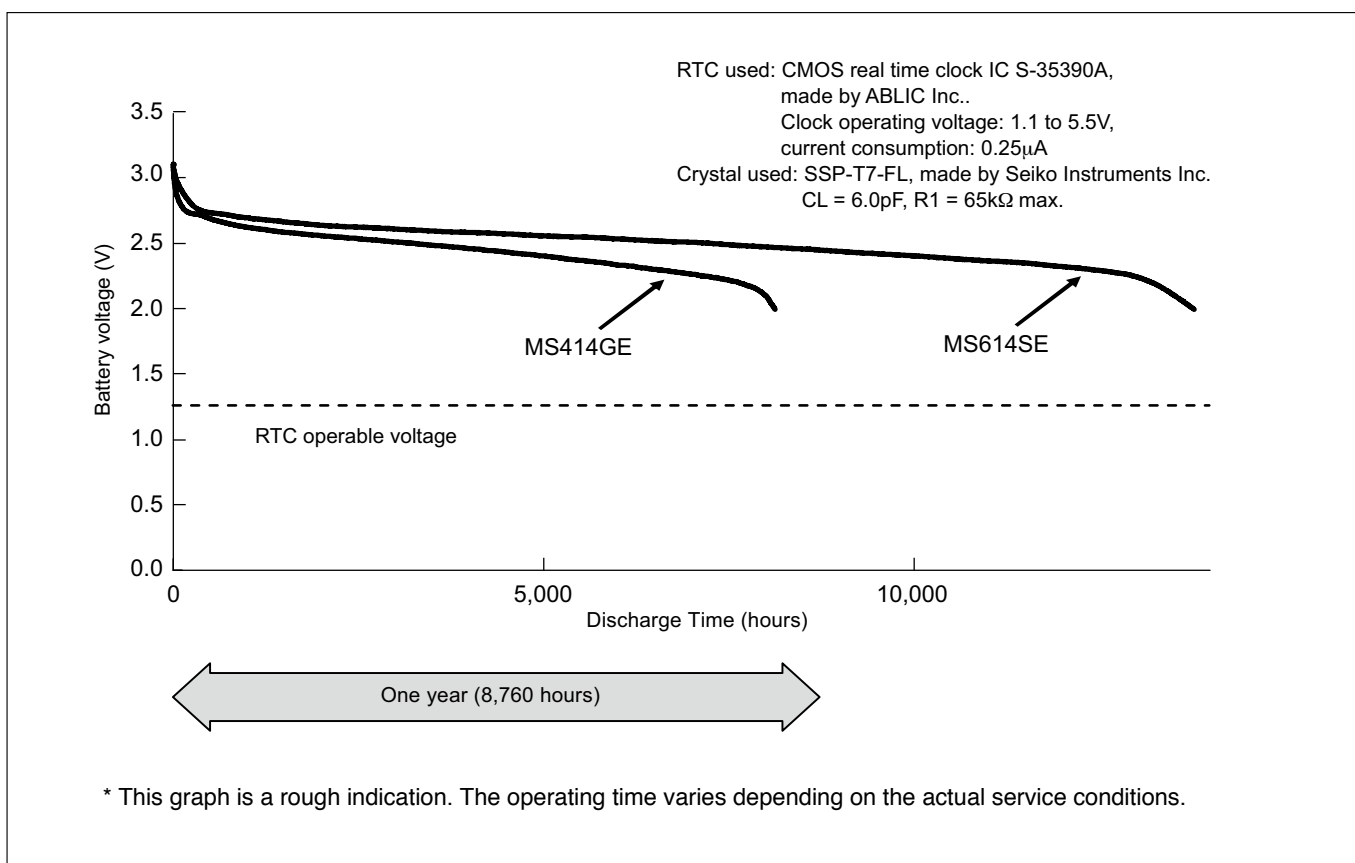


Example of a Application Circuit

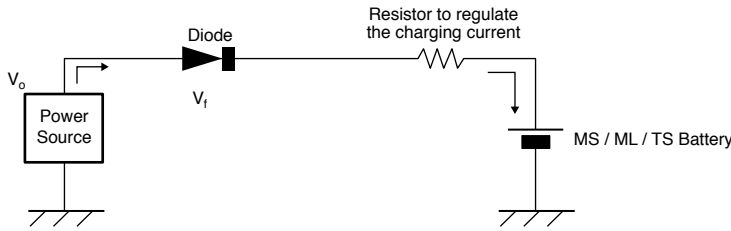
Example of RTC backup circuit



Example of RTC backup time, using MS414GE / MS614SE



Charging circuit for MS / ML / TS Lithium Rechargeable Battery



The charging voltage “Vo” must Not be higher than 3.3V (MS series) / 3.1V (ML414H) / 3.0V (TS series).
 A resistor must be inserted to regulate the charging current, because our rechargeable batteries have a limit for charging current.
 Please see the below table for recommended resistor values.
 Those values are minimum for each battery type and “Vo” in the charging circuit.
 The following table lists the recommended resistance values. For example, MS614SE and Vo 3.3V, the resistor value should be 620 ohm or more.

MS lithium rechargeable battery / ML lithium rechargeable battery

	MS414GE	MS412FE	MS518SE	MS614SE	MS621FE MS621T	MS920SE MS920T	ML414H
Vo (V)	Resistor (ohm)	Resistor (ohm)	Resistor (ohm)	Resistor (ohm)	Resistor (ohm)	Resistor (ohm)	Resistor (ohm)
3.3	2,000	2,000	1,500	620	620	620	prohibited
3.2	1,600	1,600	1,000	430	430	430	prohibited
3.1	1,600	1,600	820	330	330	330	3,000
3.0	1,500	1,500	750	300	300	300	3,000
2.9	1,500	1,500	750	300	300	300	3,000
2.8	1,500	1,500	750	300	300	300	3,000

TS lithium rechargeable battery

	TS621E	TS920E		TS621E	TS920E		TS621E	TS920E
Vo (V)	Resistor (ohm)	Resistor (ohm)	Vo (V)	Resistor (ohm)	Resistor (ohm)	Vo (V)	Resistor (ohm)	Resistor (ohm)
3.0	10,000	12,000	2.4	7,500	9,100	1.8	4,300	5,600
2.9	10,000	11,000	2.3	6,800	8,200	1.7	3,600	5,100
2.8	9,100	11,000	2.2	6,200	7,500	1.6	3,000	4,700
2.7	9,100	10,000	2.1	5,600	7,500	1.5	2,700	4,300
2.6	8,200	10,000	2.0	5,100	6,800			
2.5	7,500	9,100	1.9	4,700	6,200			

Discharge capacity depends on charging voltage.
 Lower charging voltage may cause lower discharge capacity.
 Please see Charge Voltage Characteristics data in respective battery pages.

Charging circuit for CPH / CPX capacitor



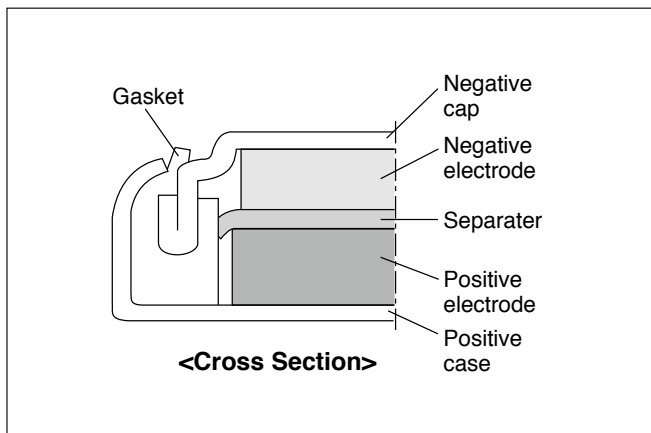
You do not need to insert a resistor to regulate charging current.
 Our CPH / CPX capacitor do not have a limit for charging current.
 The charging voltage “Vo” must Not be higher than 3.3V (CPH3225A) / 2.6V (CPX3225A).

MS Lithium Rechargeable Battery 3V Type

Non-Reflowable

MS412FE / MS414GE / MS518SE / MS614SE / MS621FE / MS920SE

MS (Manganese Silicon) lithium rechargeable batteries, developed by SII, use silicon oxide as the anode and a lithium manganese composite oxide as the cathode. As a result, they offer long cycle life and highly stable overdischarge characteristics.



FEATURES

- Large discharge capacity :
For high operational voltage range of 3.3V to 2.0V.
- Long cycle life :
Cycle life of over 100 cycles (over 50 cycles for MS414GE) under charge/discharge conditions of 3.1V to 2.0V (D.O.D.100%).
- Excellent overdischarge characteristics :
Continued stable capacity characteristics even after the battery is overdischarged down to 0.0V.
- Operation over a wide temperature range:
Operating temperature range : -20°C to +60°C
Consult us for using the battery at a temperature beyond the above temperature range.
- RoHS Compliant
- Approved by UL (Underwriters Laboratories Inc.)
UL File No. MH15628

APPLICATIONS

Backup power for Real Time Clock, or memory.
E.g. Security Camera, Digital Camera, Action Camera, GPS equipments, Event Data Recorder, Handy Terminal, PC, Smart phone.

Type	Nominal Voltage (V)	Charge Voltage (Standard Charge Voltage)*6 (V)	Nominal Capacity (mAh)*1	Internal Impedance (Ω)*2	Standard Discharge Current (mA)	Maximum Discharge Current (Continuous) (mA)*3	Cycle Life (Time)*4		Size (mm)		Weight (g)
							100%*5 D.O.D. (Depth of Discharge)	20%*5 D.O.D. (Depth of Discharge)	Diameter	Height	
MS412FE	3	2.8 to 3.3 (3.1)	1.0	100	0.010	0.10	100	1000	4.8	1.2	0.07
MS414GE	3	2.8 to 3.3 (3.1)	2.0	100	0.010	0.05	50	500	4.8	1.4	0.08
MS518SE	3	2.8 to 3.3 (3.1)	3.4	90	0.010	0.15	100	1000	5.8	1.8	0.13
MS614SE	3	2.8 to 3.3 (3.1)	3.4	80	0.015	0.25	100	1000	6.8	1.4	0.17
MS621FE	3	2.8 to 3.3 (3.1)	5.5	80	0.015	0.25	100	1000	6.8	2.1	0.23
MS920SE	3	2.8 to 3.3 (3.1)	11.0	35	0.050	0.80	100	1000	9.5	2.1	0.47

*1. Nominal capacity: Typical value of discharge capacity between 3.1V and 2.0V

*2. Internal impedance is measured using an AC (Alternating Current) method at the fully charged state.

*3. Maximum discharge current indicates the value of a current for approximately 50% of the nominal capacity.

*4. Cycle Life indicates the times charge/discharge is repeated for approximately 50% of the capacity values in the specification sheet.

*5. 100% and 20% are based on nominal capacity.

*6. A constant voltage charge is recommended, but due to a limit in charge current, it is necessary to insert a resistor to regulate the charge current.

Please see Page 7 for resistor value. Contact us for further details.

If a constant current charge is required, contact us for more information.

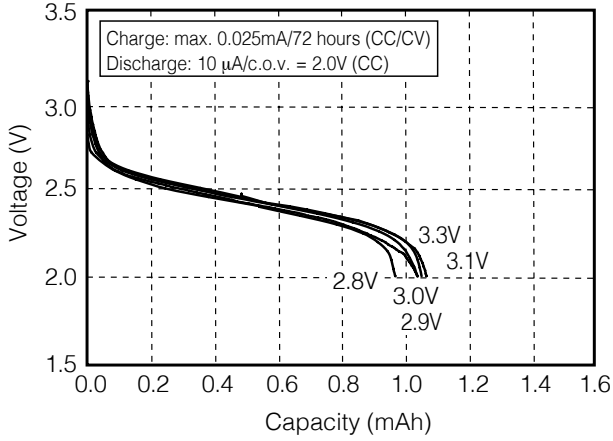
CAUTION

MS Lithium Rechargeable Batteries are not reflowable. Please mount them on PCB by hand soldering.

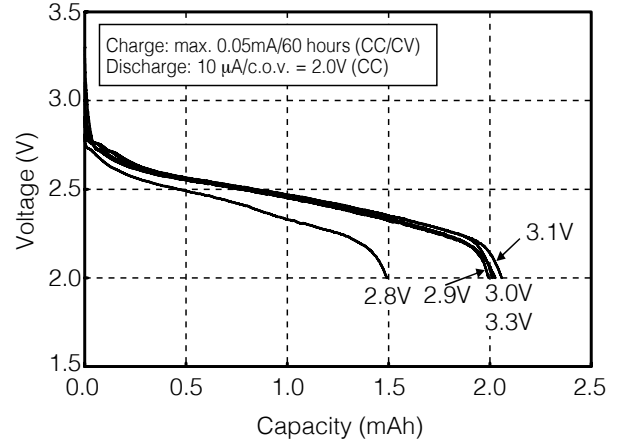
CHARACTERISTICS

DISCHARGE (CHARGE VOLTAGE DEPENDENCE)

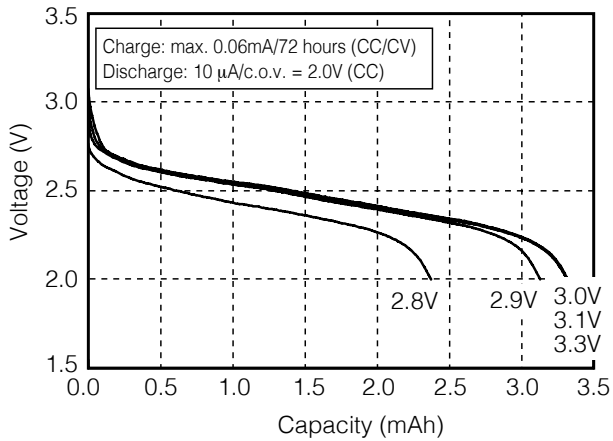
MS412FE



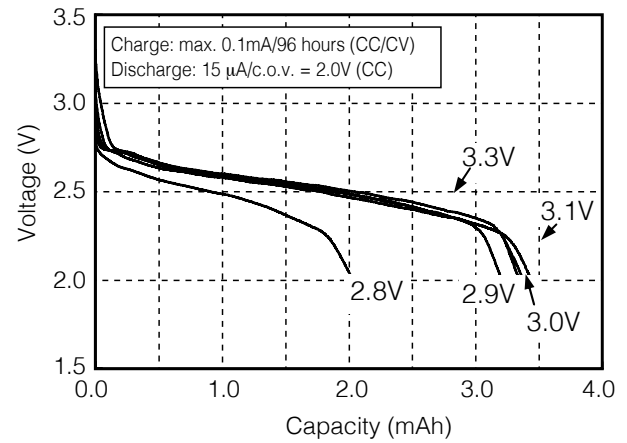
MS414GE



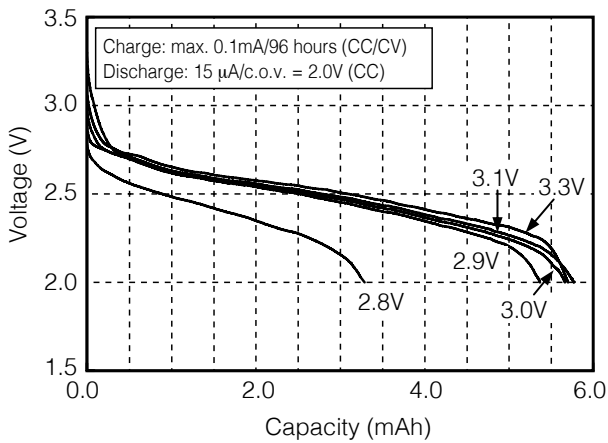
MS518SE



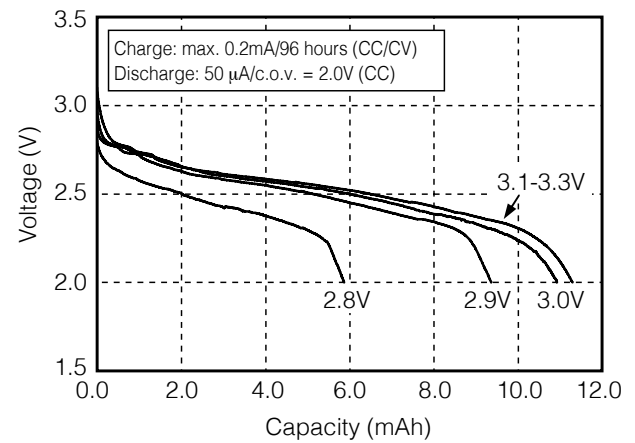
MS614SE



MS621FE



MS920SE

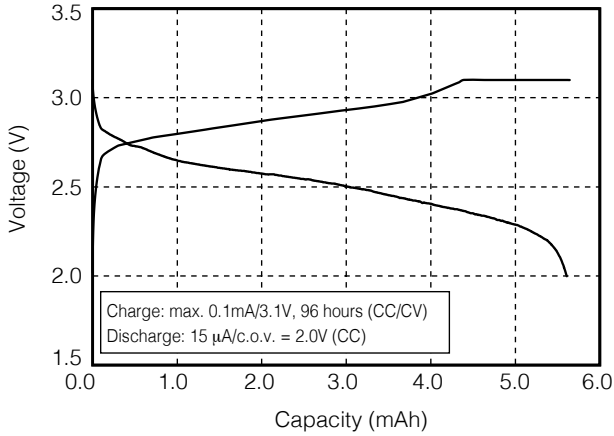


*c.o.v....cut off voltage

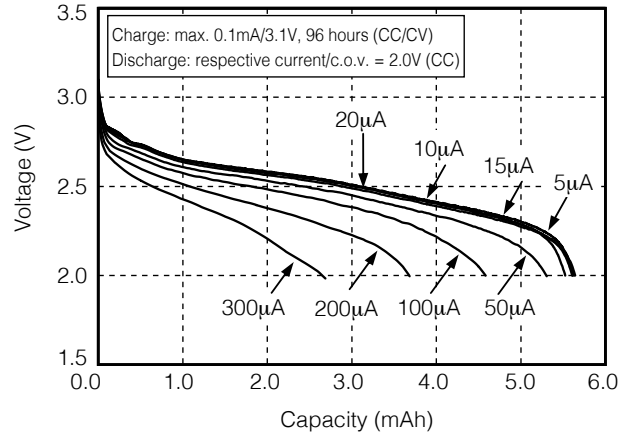
CHARACTERISTICS

MS621FE

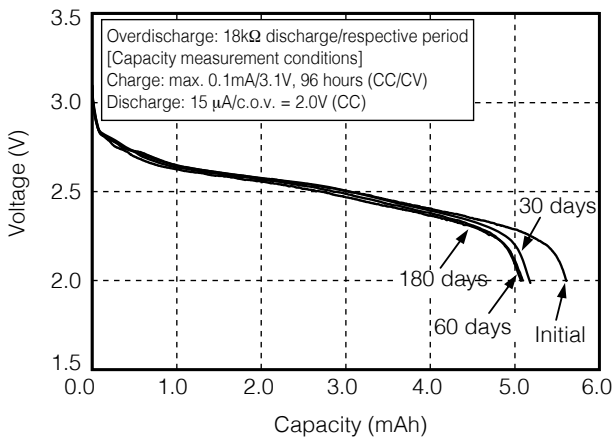
Charge/discharge characteristics



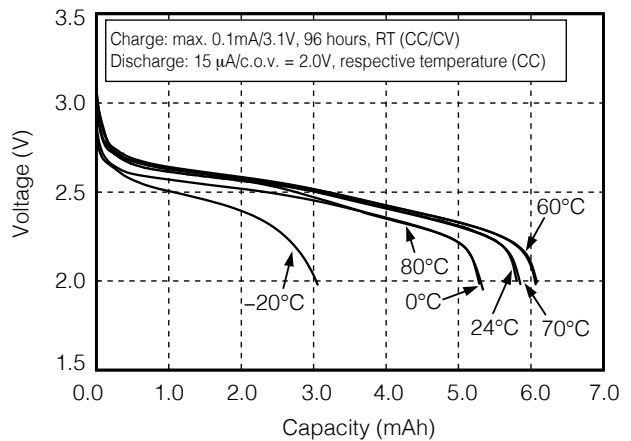
Discharge Current characteristics



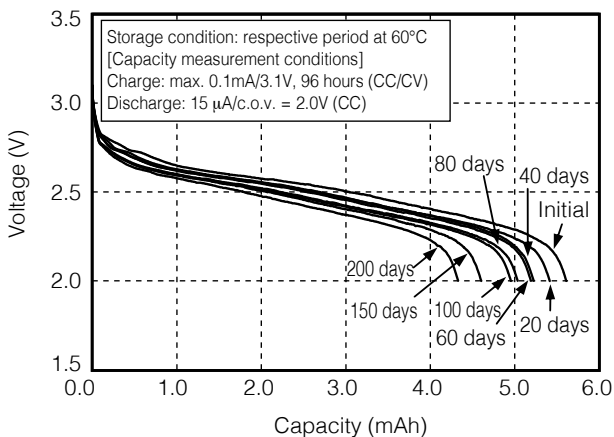
Overdischarge Characteristics



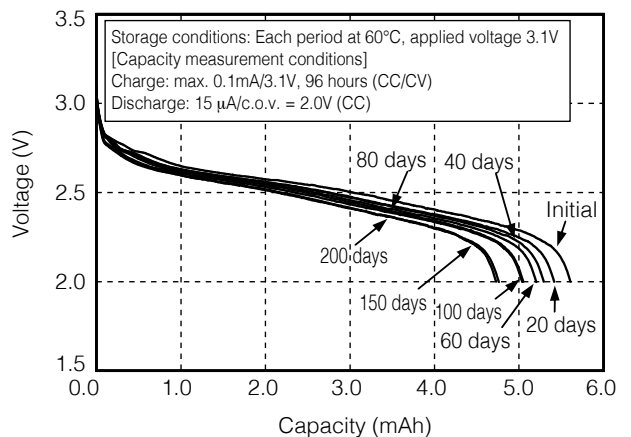
Discharge Temperature Characteristics



High Temperature (60°C) Storage Characteristics



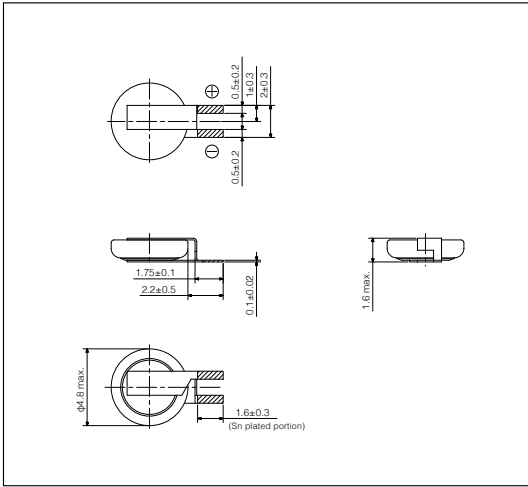
Floating Characteristics (60°C, applied voltage 3.1V)



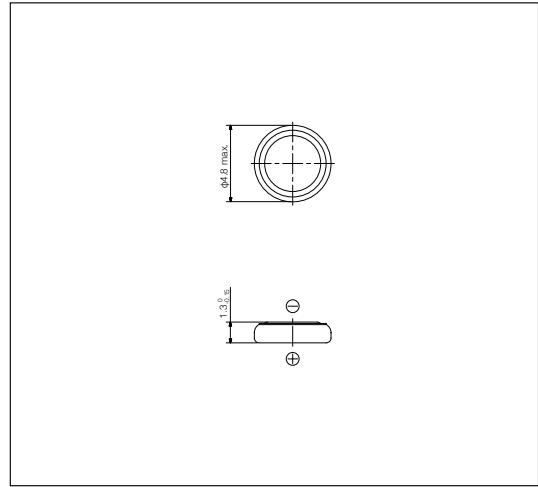
*c.o.v....cut off voltage

DIMENSIONS

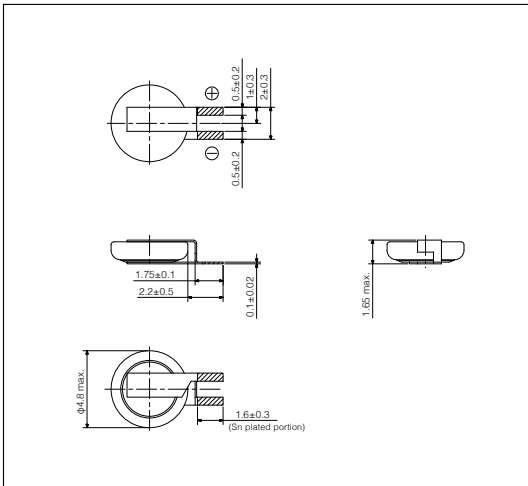
MS412FE FL26E



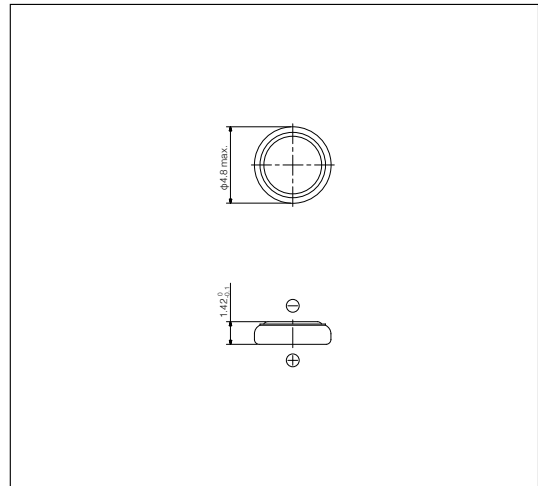
MS412FE



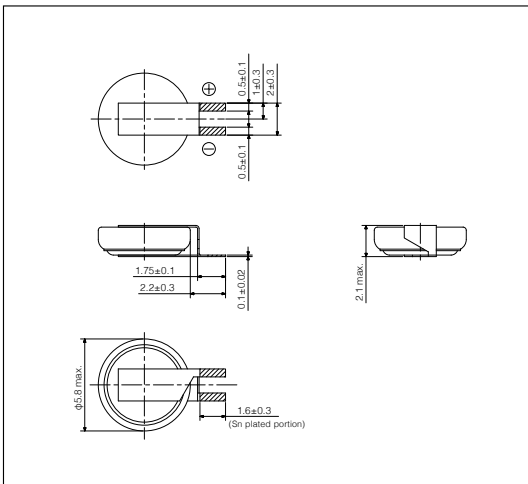
MS414GE FL26E



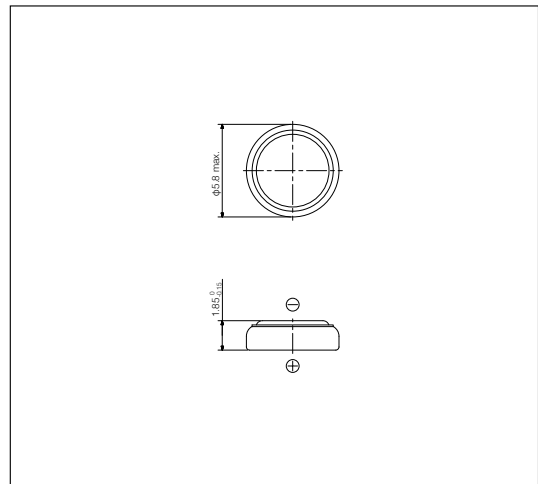
MS414GE



MS518SE FL35E



MS518SE

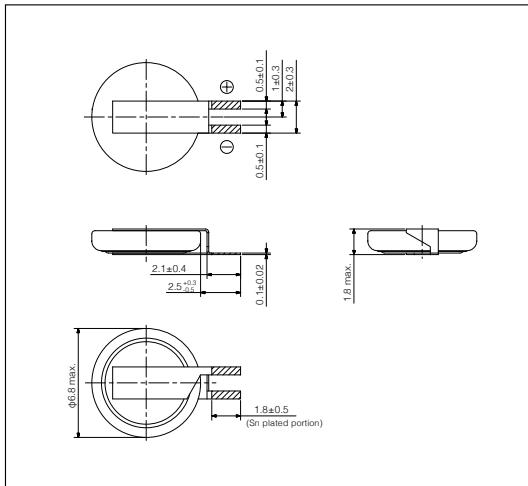


- Units: mm

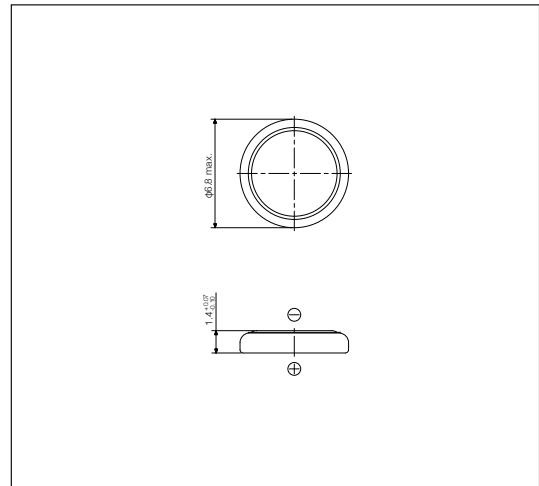
- The shaded parts are tin plated (Sn: 100%).

DIMENSIONS

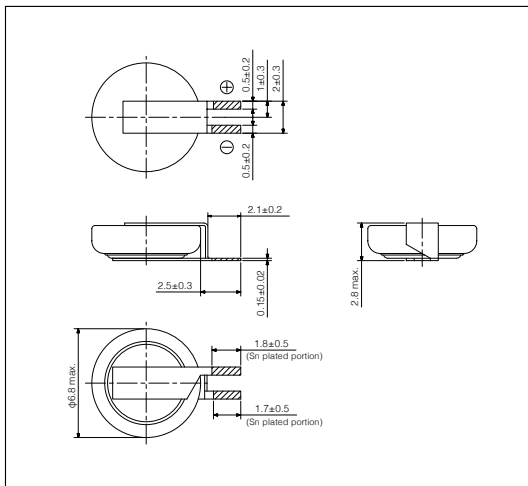
MS614SE FL28E



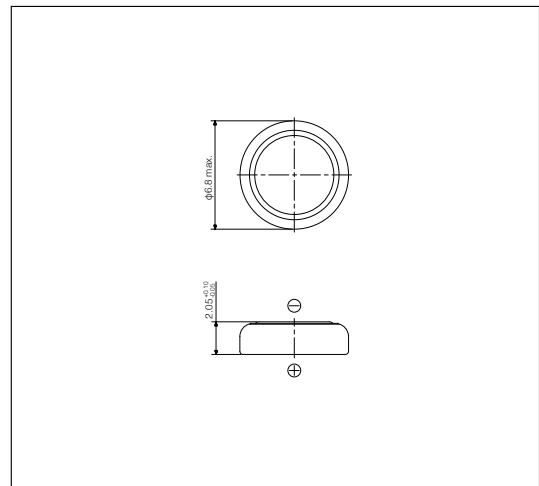
MS614SE



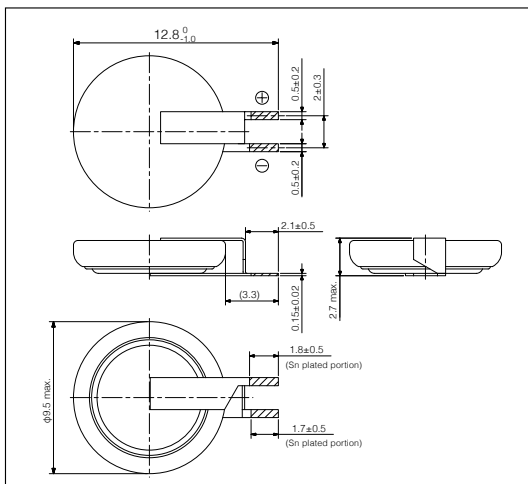
MS621FE FL11E



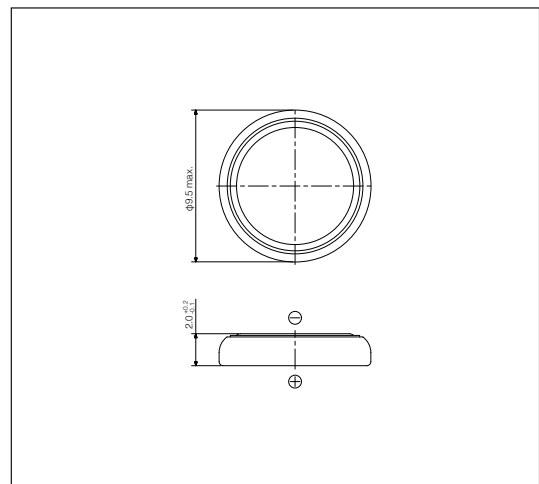
MS621FE



MS920SE FL27E



MS920SE

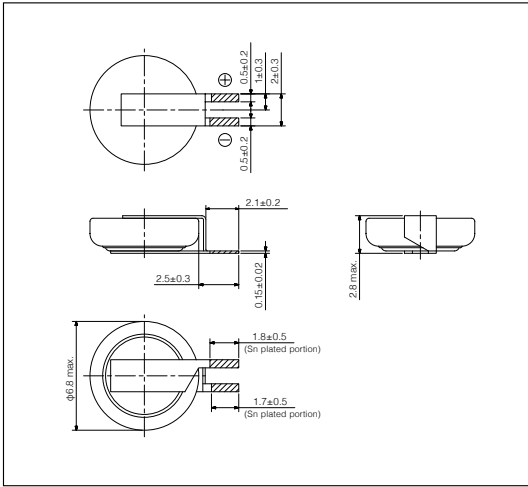


- Units: mm

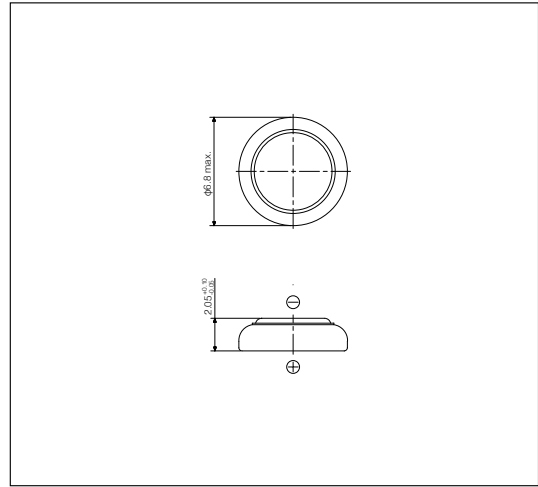
- The shaded parts are tin plated (Sn: 100%).

DIMENSIONS

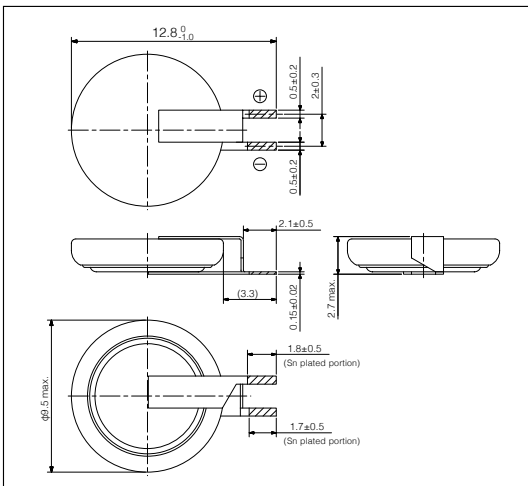
MS621T FL11E



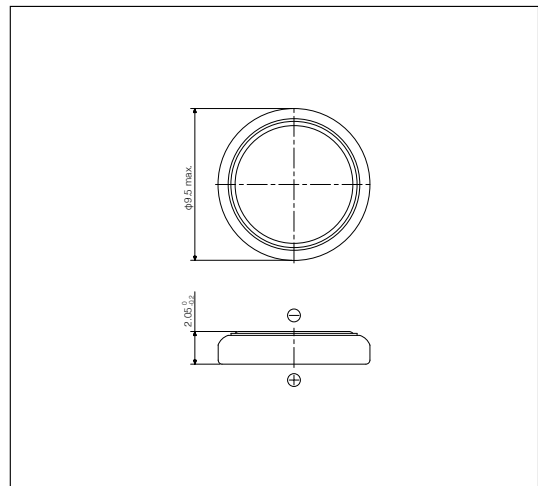
MS621T



MS920T FL27E



MS920T



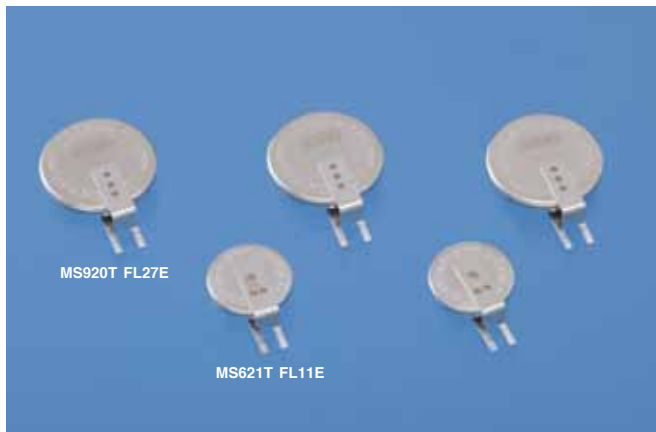
- Units: mm

- The shaded parts are tin plated (Sn: 100%).

Non-Reflowable

MS621T / MS920T

“MS621T” and “MS920T” have improved both higher and lower temperature characteristics while leaving features of the conventional MS rechargeable batteries. They offers wider temperature range from -40°C to 85°C.



FEATURES

- Operation over a wide temperature range:
Operating temperature range : -40°C to +85°C
- High reliability : At least 90% of retention capacity after exposure to 85°C for 100 days.
- Long cycle life : 100 cycles (D.O.D.100%)
- RoHS Compliant
- Approved by UL (Underwriters Laboratories Inc.)
UL File No. MH15628

APPLICATIONS

Backup power for Real Time Clock, or memory.
E.g. Automotive equipment, Security cameras, electronic power, gas and water meters, electronic devices where PCB temperature increases.

Type	Nominal Voltage (V)	Charge Voltage (Standard Charge Voltage) (V)	Nominal Capacity *1 (mAh)	Internal Impedance *2 (Ω)	Operating Temperature Range	Cycle Life (Time)		Size (mm)		Weight (g)
						100%	20%	Diameter	Height	
MS621T	3	2.8~3.3(3.1)	3.0	80	-40°C to +85°C	100	1000	6.8	2.1	0.23
MS920T	3	2.8~3.3(3.1)	6.5	60	-40°C to +85°C	100	1000	9.5	2.0	0.45

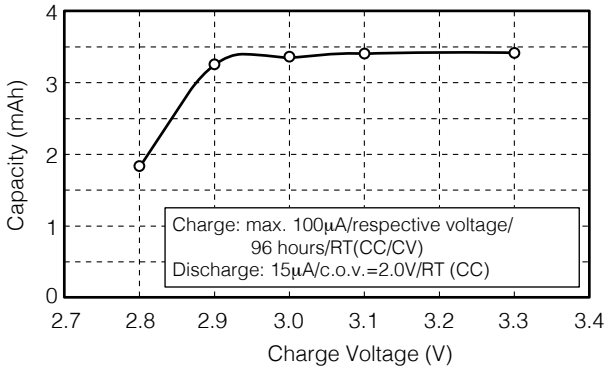
*1. Nominal capacity: Typical value of discharge capacity between 3.1V and 2.0V.
*2. A constant voltage charge is recommended, but due to a limit in charge current, it is necessary to insert a resistor to regulate the charge current. Please see Page 7 for resistor value. Contact us for further details.
If a constant current charge is required, contact us for more information.

CAUTION
MS Lithium Rechargeable Batteries are not reflowable. Please mount them on PCB by hand soldering.

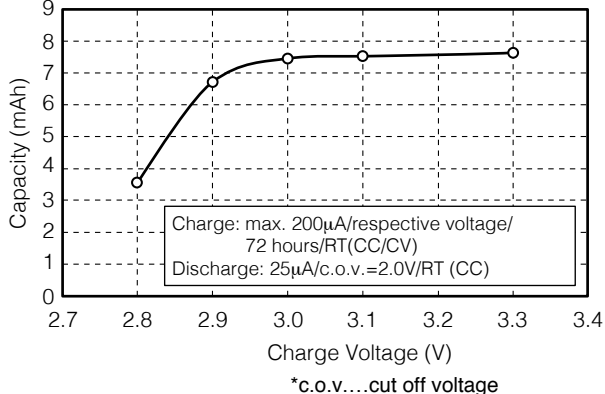
CHARACTERISTICS

Charge Voltage Characteristics

MS621T



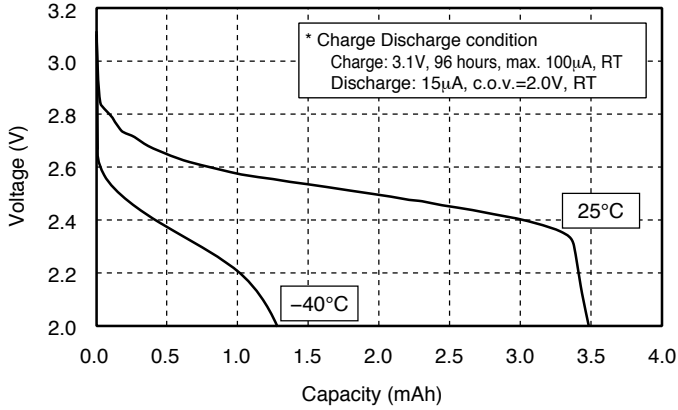
MS920T



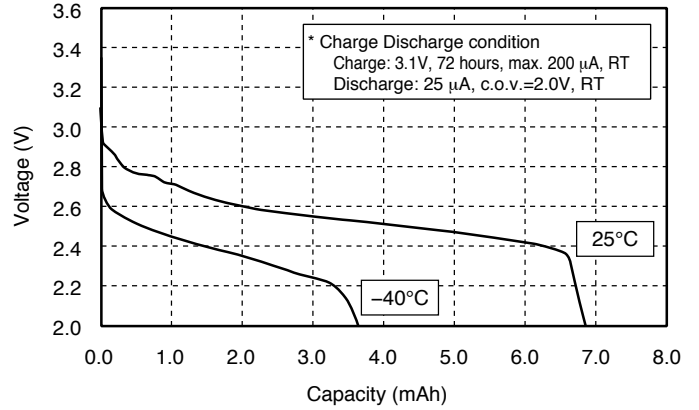
CHARACTERISTICS

Discharge characteristics (-40°C capacity)

MS621T

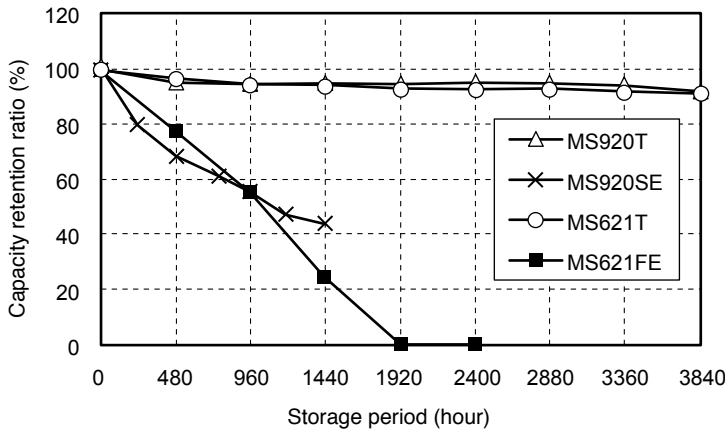


MS920T



High temperature characteristics (85°C storage)

Storage period - Capacity retention ratio



MS-T series's capacity retention ratio after High temperature storage were greatly improved.

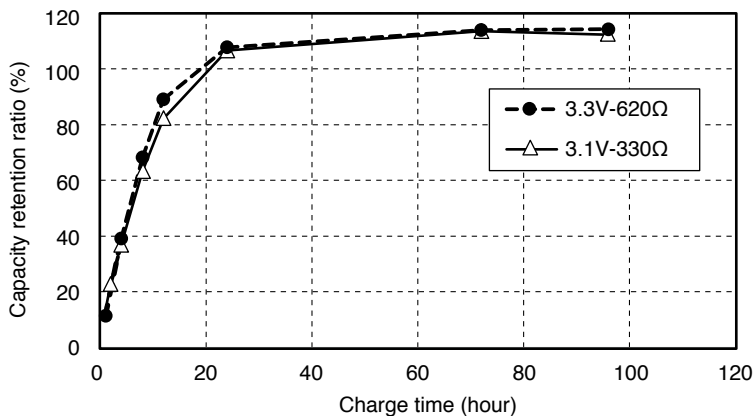
* 85°C use of Conventional MS series is not guaranteed.

* Charge Discharge condition
 MS920T
 Charge: 3.1V, 72 hours, max. 200 μ A, RT
 Discharge: 25 μ A, c.o.v.=2.0V, RT
 MS621T
 Charge: 3.1V, 96 hours, max. 100 μ A, RT
 Discharge: 15 μ A, c.o.v.=2.0V, RT

*c.o.v....cut off voltage

Charge Characteristics (MS920T)

Charge time - Discharge capacity



Both the MS621T and MS920T can reach 80% of capacity after 12 hours of charging.

*MS920T: Calculated given a 100% charge of 6.5 mAh nominal capacity.

* Charge condition
 3.3V,620 Ω
 3.1V,330 Ω

*c.o.v....cut off voltage

Non-Reflowable

TS621E / TS920E

TS lithium rechargeable batteries are high capacity 1.5V type non-reflowable rechargeable batteries that provide sufficient discharge capacity with a charge voltage of less than 2.0V.



FEATURES

- Low-voltage rechargeable
- High capacity
- Long cycle life: at least 1000 cycles (20% D.O.D.)
- RoHS Compliant
- Approved by UL (Underwriters Laboratories Inc.)
UL File No. MH15628 (TS621E only)

APPLICATIONS

- Solar Watch (as main battery)
- Small mobile equipment (backup power supply for Real Time Clock)
E.g. Security Camera, Digital Camera, Action Camera, GPS equipments, Event Data Recorder, Handy Terminal, PC, Smart phone.

Type	Nominal Voltage (V)	Charge Voltage* ⁴ (V)	Nominal Capacity (Voltage Range V)* ¹ (mAh)	Internal Impedance* ² (Ω)	Standard Discharge Current (mA)	Cycle Life* ³ (Time)	Diameter (mm)	Height (mm)	Weight (g)
TS621E	1.5	1.5 to 3.0	1.3 (1.5 to 1.0) 2.5 (2.3 to 1.0)	50	0.025	1000 (20% D.O.D.) 100 (100% D.O.D.)	6.8	2.1	0.23
TS920E	1.5	1.5 to 3.0	5.5 (2.3 to 1.0)	20	0.05	1000 (20% D.O.D.) 50 (100% D.O.D.)	9.5	2.0	0.46

*1. The discharge capacity of each voltage range (Room Temperature).

*2. Value measured using an AC (Alternating Current) method in the fully charged state.

*3. Counts of charge and discharge repetition that maintains about 50% of the minimum guaranteed capacity

*4. A constant voltage charge is recommended, but due to a limit in the charge current, it is necessary to insert a resistor to regulate the charge current.

Please see Page 7 for resistor value. Contact us for further details.

If a constant current charge is required, please contact us for more information.

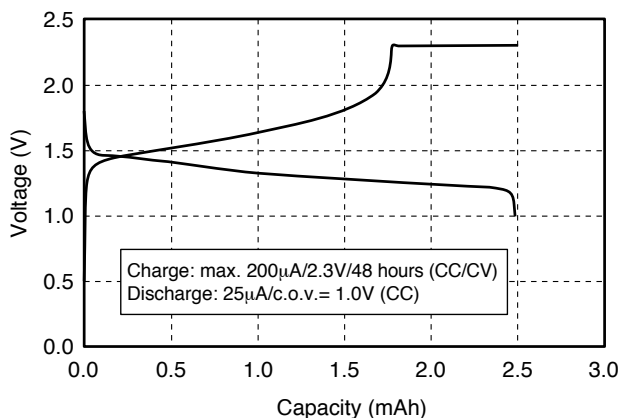
CAUTION

TS Lithium Rechargeable Batteries are not reflowable. Please mount them on PCB by hand soldering.

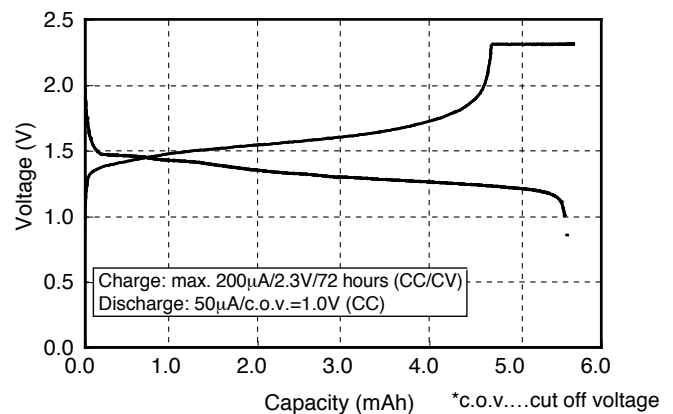
CHARACTERISTICS

Charge/discharge characteristics

TS621E



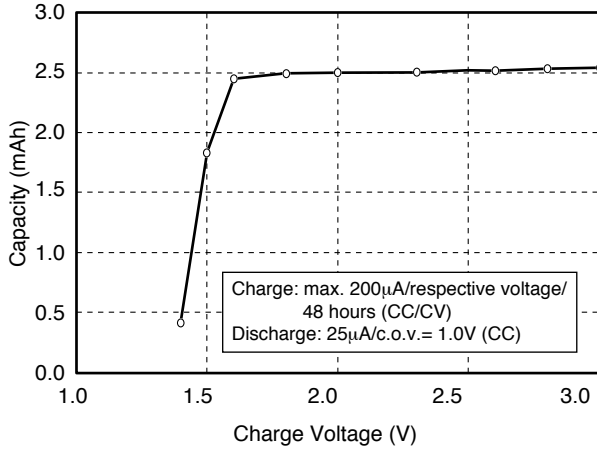
TS920E



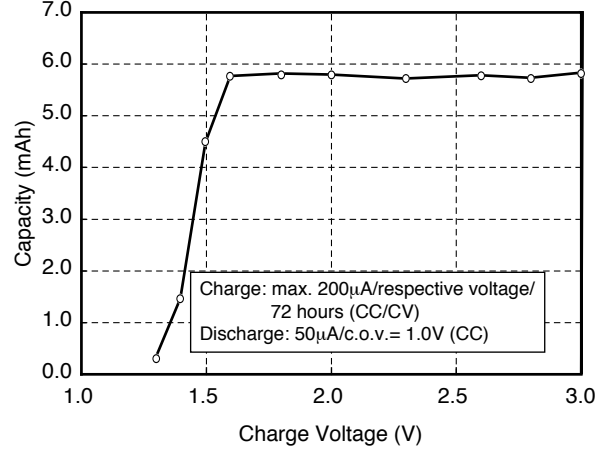
CHARACTERISTICS

Charge Voltage Characteristics

TS621E

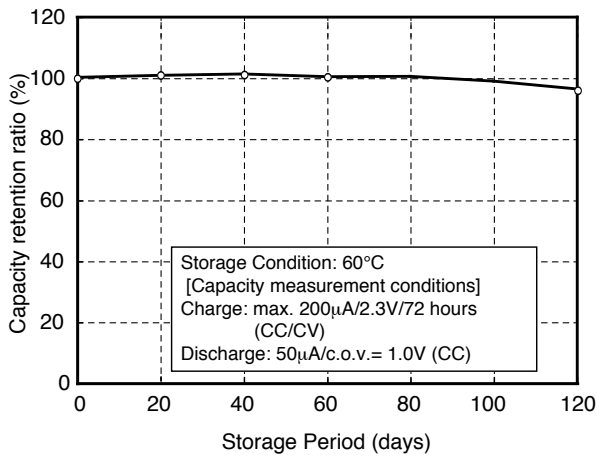


TS920E

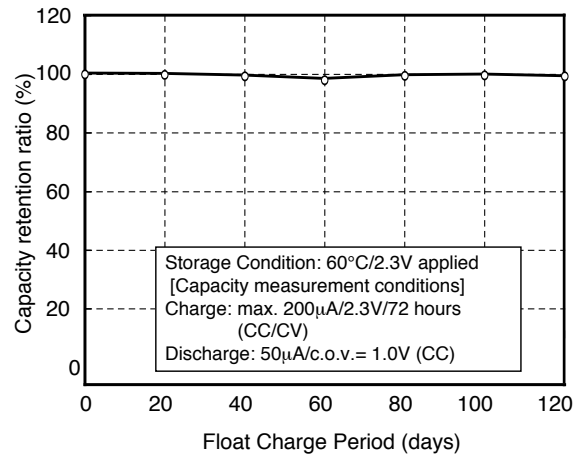


High Temperature Storage Characteristics

TS920E



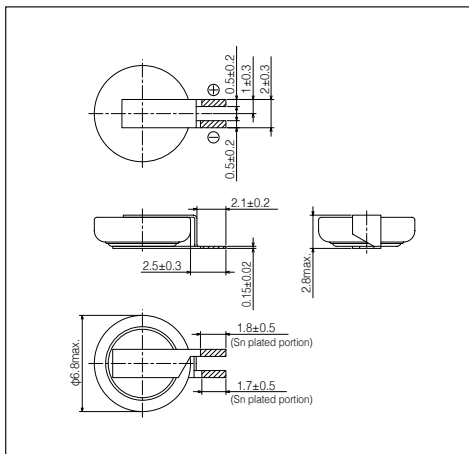
Float-Charge Characteristics



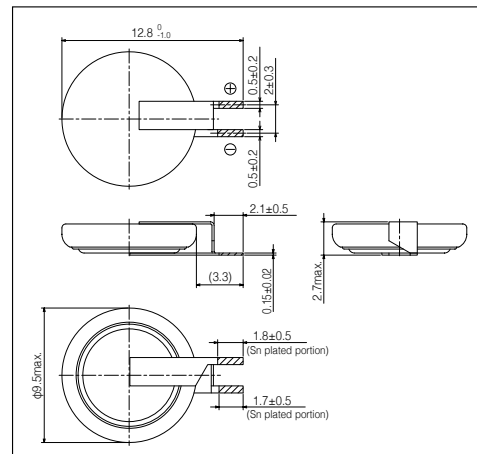
*c.o.v....cut off voltage

DIMENSIONS

TS621E FL11E



TS920E FL27E

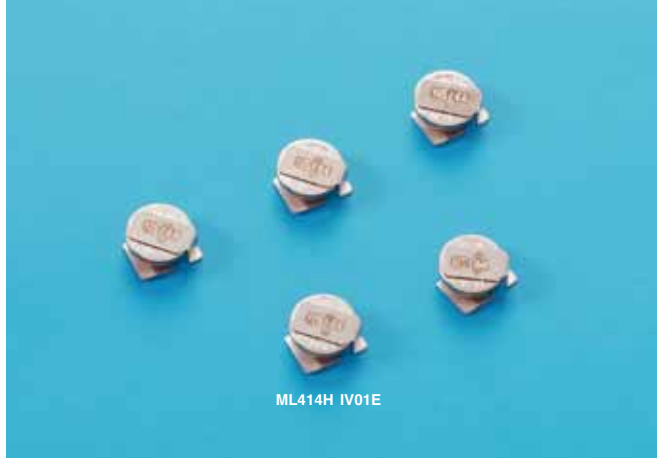


- Units: mm
- The shaded parts are tin plated (Sn: 100%).

Reflowable

ML414H

ML414H is environment-friendly rechargeable battery that can be reflowed with lead-free solder.



FEATURES

- **Reflowable:**
Superior heat resistance allows reflow soldering
- **Large Capacity:** 1.0mAh (typical)
(3.1V charge - 2.0V Cut-off)
- **Operation over a wide temperature range:**
Operating temperature range: -20°C to +60°C
Consult us for using the battery at a temperature beyond the above temperature range.
- **RoHS Compliant**
- **Approved by UL (Underwriters Laboratories Inc.)**
UL File No. MH15628

APPLICATIONS

Backup power for Real Time Clock, or memory.
E.g. Security Camera, Digital Camera, Action Camera, GPS equipments, Event Data Recorder, Handy Terminal, PC, Smart phone.

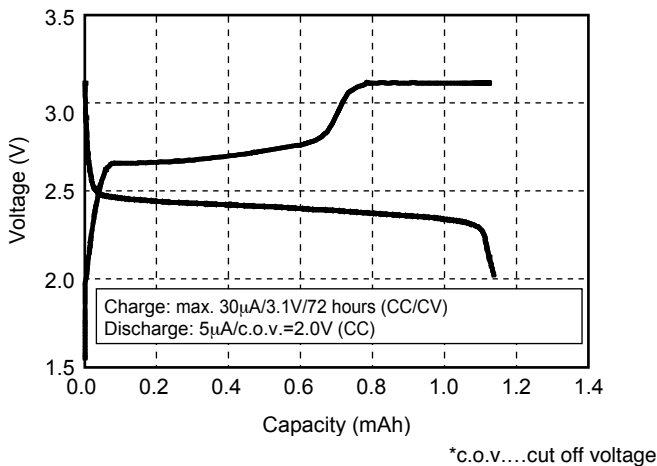
Type	Nominal Voltage (V)	Charge Voltage ^{*3} (V)	Nominal Capacity (Voltage Range V) (mAh)	Internal Impedance ^{*1} (Ω)	Standard Discharge Current (mA)	Cycle Life ^{*2} (Time)	Diameter (mm)	Height (mm)	Weight (g)
ML414H	3	2.7 to 3.1	1.0 (3.1 to 2.0)	600	0.005	300 (10% D.O.D.)	4.8	1.4	0.07

*1. Value measured using an AC (Alternating Current) method in the fully charged state.
 *2. Counts of charge and discharge repetition that maintains about 50% of the minimum guaranteed capacity
 *3. A constant voltage charge is recommended, but due to a limit in the charge current, it is necessary to insert a resistor to regulate the charge current.
 Please see Page 7 for resistor value. Contact us for further details.
 If a constant current charge is required, please contact us for more information.

CAUTION
Max. charging voltage of ML414H is 3.1V.

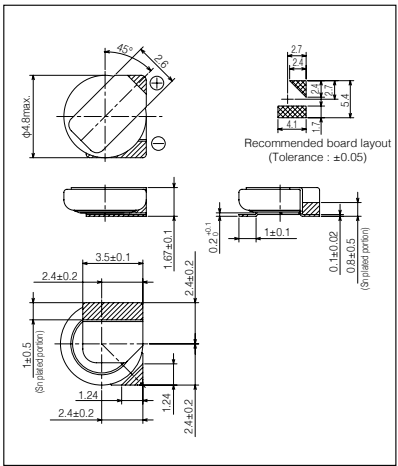
CHARACTERISTICS

Charge/discharge characteristics



DIMENSIONS

ML414H IV01E



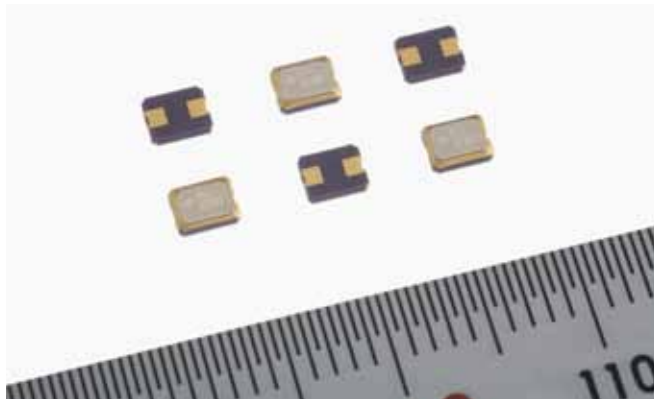
Reflowable

CPH3225A

CPH3225A is thinnest and smallest chip-type electric double layer capacitor.

The unique ceramic packaging with superior air-tightness is used. As the result, it offers leakage resistance and humidity resistance. Also, by optimizing its materials, a 1 minute rapid charge stores approximately 85% of full capacity.

Its heat-resistant design allows for Pb-free reflowable SMT board attachment.



FEATURES

- Small and thin size
- Excellent leakage resistance and humidity resistance
- Reflowable:
 - Superior heat resistance allows reflow soldering
- Long cycle Life:
 - At least 10,000 times of charge/discharge
- Simple Charging circuit (constant voltage charging)
- Wide operating temperature range:
 - Operating temperature range: -20°C to $+60^{\circ}\text{C}$
 - For use the battery at a temperature out of the above temperature range, please consult us.
- RoHS Compliant

APPLICATIONS

Backup Power for various devices.

Super small size power supply.

E.g. Smartphone, Tablet, Cellphone, Personal computer, IC card, Game machine, Handy terminal, Video camera, various kinds of small appliance, etc.

Type	Maximum Use Voltage (V)	Nominal Capacity (Voltage Range) Capacitance	Internal Impedance* (Ω)	Size (L x W x H) (mm)	Weight (g)
CPH3225A	3.3	$4.6\mu\text{Ah}$ (3.3 to 1.8V) 11mF	160	3.2x2.5x0.9	0.025

*. Value measured using AC (Alternating Current) method at the discharged state.

⚠ CAUTION

1. Prohibition ripple charging

A ripple (high frequency fluctuation of voltage) in the charge voltage extremely lowers the capacitor performance. Be sure to charge capacitors with a stable voltage.

2. Charge voltage

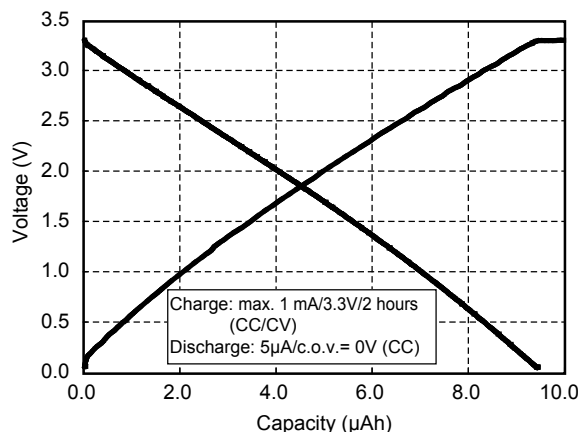
The age deterioration of the capacitor depends on the charge voltage. The age deterioration is accelerated as charge voltage goes higher.

3. Usage environment

Aging degradation of the capacitor varies depending on the usage environment (temperature and humidity). Contact us for further details.

CHARACTERISTICS

Charge/discharge characteristics

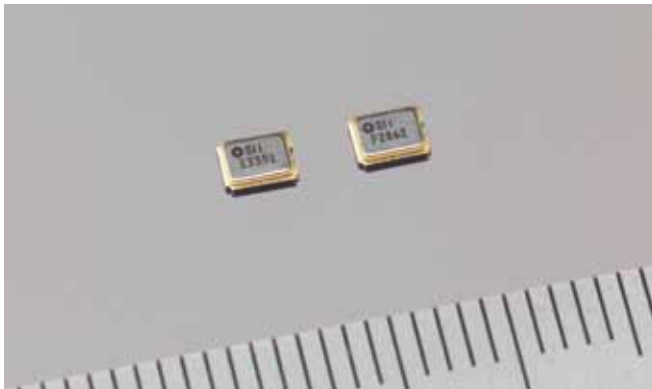


*c.o.v....cut off voltage

Reflowable

CPX3225A

Chip-type Electric Double Layer Capacitor (EDLC), CPX series offers low internal impedance and very small leak current. CPX Capacitors allow discharge current up to several tens of mAs, and super rapid charging by small electromotive force.



FEATURES

- Large discharge current and super rapid charging achieved by low internal impedance
- Small leak current
CPX capacitor allows sufficient charging with several micro watts of energy harvesting power source.
- Long life span, high reliability
Superior air-tight ceramic package reduces storage deterioration in high temperature / high humidity environments, assuring long term reliability.
- Reflowable, small and thin
The chip-type design makes it possible to reflow.

APPLICATIONS

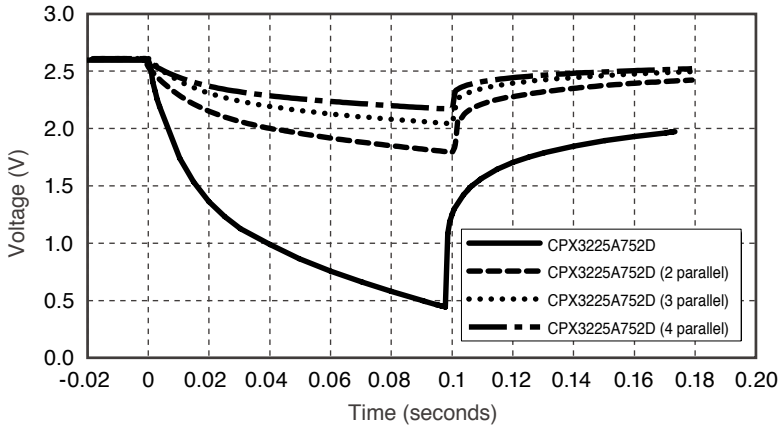
- Power backup of instantaneous battery detachment
- Power assist for main battery
- Electric storage device for energy harvesting
- Peak load leveling of primary battery
E.g. Handy terminals, Payment terminals, Wireless sensor network devices, NFC-enabled mobile devices, Battery powered medical devices, etc.

Type	Maximum Use Voltage (V)	Capacitance (mF)	Internal Impedance (ESR) * (Ω)	Size (LxWxH) (mm)	Operating Temperature Range	Weight (g)
CPX3225A752D	2.6	7.5	25	3.2x2.5x0.9	-30°C to +70°C	0.024

*. Value measured using AC (Alternating Current) method at the discharged state.

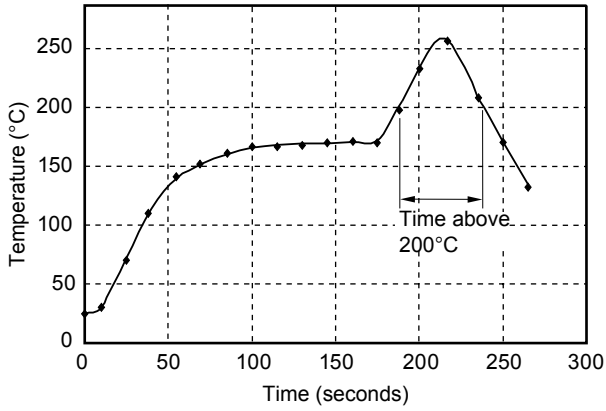
CHARACTERISTICS

Pulsed Discharge Curve (20mA×0.1sec)



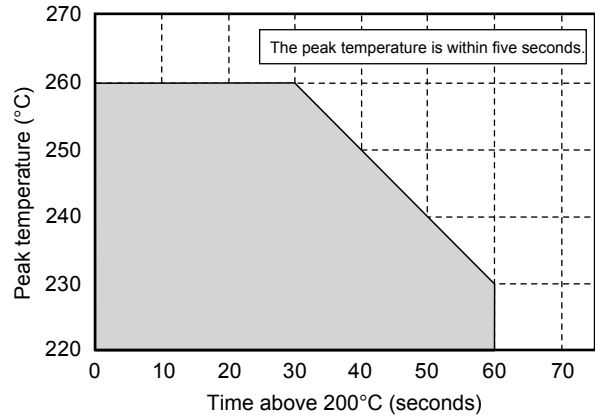
REFLOW SOLDERING CONDITIONS

Reflow Profile Example



The times of repeated reflow soldering must be two times or less.
The Temperature must be measured at top of the cell.

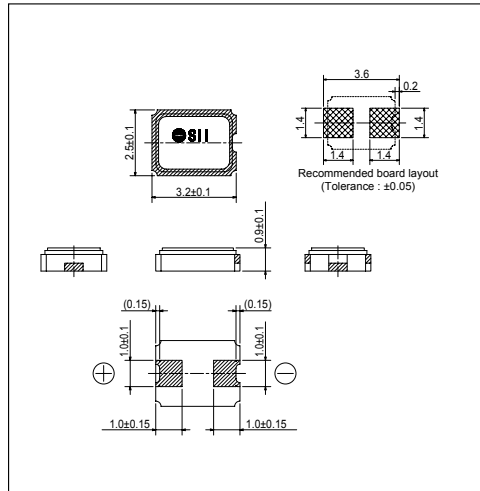
Recommended Reflow Conditions



Max. 260°C (within 5 seconds)

DIMENSIONS

CPH3225A / CPX3225A



- Units: mm

Mercury Free Silver Oxide Battery : SEIZAIKEN

Non-Reflowable

SEIZAIKEN, Mercury Free Silver Oxide Batteries by SII, has grown with the history of quartz watches. Silver Oxide Batteries have high density of energy per volume and are able to supply stable voltage for a long time. SEIZAIKEN Batteries are suitable to power BLE(Bluetooth Low Energy), wearable devices, and information devices.



FEATURES

- Stable power voltage
- Large energy density
- Able to discharge mA level of pulse current
- Lineup of small diameter (11.6mm and less)

APPLICATIONS

Devices that require high discharge pulsing such as stylus pen for tablets, disposable devices, thermometers, etc.

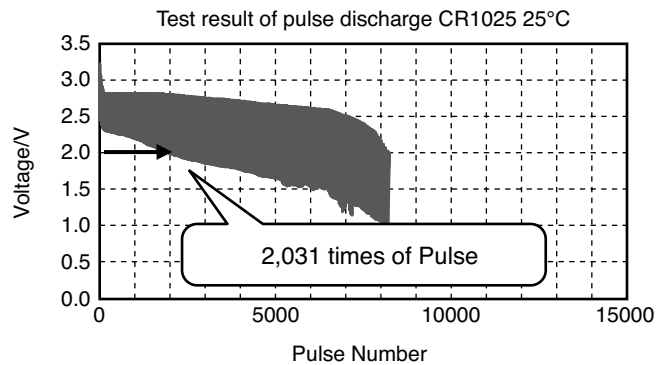
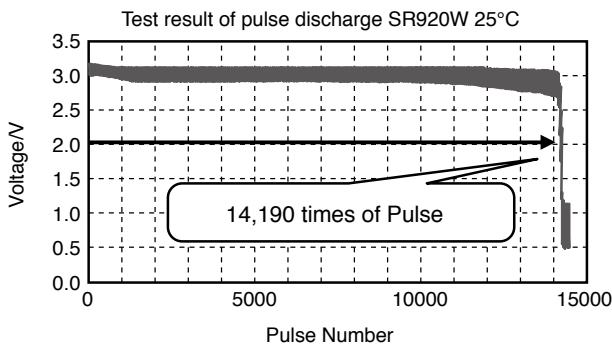
Type	Nominal Voltage (V)	Nominal Capacity (mAh)	Discharge Level	Dimensions (mm)		Weight (g)
				Diameter	Height	
SR**SW	1.55	5.5 to 160	Low current	4.8 to 11.6	1.25 to 5.40	0.11 to 2.20
SR**W	1.55	26 to 160	High current	6.8 to 11.6	2.05 to 5.40	0.39 to 2.20

CHARACTERISTICS

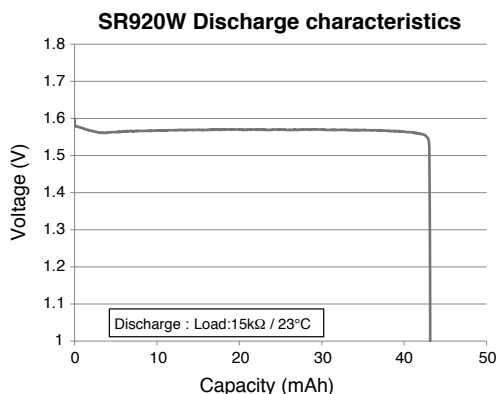
Comparisons at 10mA for 1sec Pulse Discharge and c.o.v. 2.0V

SR920W (2 pcs in series)

CR1025



Discharge Characteristics



SEIZAIKEN is our trademark for silver oxide battery globally acknowledged in the quartz watch market.

Low Drain Battery Lineup

Type	Characteristics (RT)			Dimensions		Weight(g)	C.C.V. ^{*2}		Ref. No.
	Nominal Voltage (V)	Standard Capacity ^{*1} (mAh)	Standard Discharge Current (μA)	Diameter (mm)	Height (mm)		at24°C (V)	at-10°C (V)	
SR416SW	1.55	7.5	10	4.8	1.65	0.11	1.35	1.10	337
SR421SW	1.55	12	20	4.8	2.15	0.14	1.35	1.10	348
SR512SW	1.55	5.5	5	5.8	1.25	0.15	1.45	1.10	335
SR516SW	1.55	12.5	20	5.8	1.65	0.18	1.45	1.10	317
SR521SW	1.55	13 16	20 30	5.8	2.15	0.23	1.45	1.10	379
SR527SW	1.55	22	40	5.8	2.70	0.29	1.45	1.10	319
SR616SW	1.55	16	20	6.8	1.65	0.25	1.45	1.10	321
SR621SW	1.55	21 23	30 40	6.8	2.15	0.32	1.45	1.20	364
SR626SW	1.55	24 28 30	30 40 40	6.8	2.60	0.39	1.45	1.20	377
SR712SW	1.55	10	10	7.9	1.25	0.26	1.45	1.20	346
SR714SW	1.55	15	20	7.9	1.45	0.29	1.45	1.20	341
SR716SW	1.55	21	30	7.9	1.65	0.33	1.45	1.20	315
SR721SW	1.55	23 28	40 40	7.9	2.10	0.42	1.45	1.20	362
SR726SW	1.55	34	40	7.9	2.60	0.52	1.45	1.20	397
SR731SW	1.55	36	50	7.9	3.10	0.56	1.45	1.20	329
SR41SW	1.55	45	50	7.9	3.60	0.67	1.45	1.20	384
SR912SW	1.55	15	20	9.5	1.25	0.40	1.45	1.20	—
SR916SW	1.55	27	50	9.5	1.65	0.51	1.45	1.20	373
SR920SW	1.55	35 46	50 60	9.5	2.05	0.60	1.45	1.20	371
SR927SW	1.55	53 60	80 100	9.5	2.70	0.75	1.45	1.20	395
SR936SW	1.55	85	140	9.5	3.60	1.10	1.45	1.20	394
SR1120SW	1.55	53	80	11.6	2.05	0.93	1.45	1.20	381
SR1130SW	1.55	80	100	11.6	3.05	1.29	1.45	1.20	390
SR43SW	1.55	120	150	11.6	4.20	1.75	1.45	1.20	301
SR44SW	1.55	160	180	11.6	5.40	2.20	1.45	1.20	303

*1 The standard capacity is calculated by the measurement result of discharging time with the standard discharge current to the voltage 1.2V.

*2 C.C.V.: Closed Circuit Voltage / Low Drain 2kΩ 7.8msec Pulse

High Drain Battery Lineup

Type	Characteristics (RT)			Dimensions		Weight(g)	C.C.V. ^{*2}		Ref. No.
	Nominal Voltage (V)	Standard Capacity ^{*1} (mAh)	Standard Discharge Current (μA)	Diameter (mm)	Height (mm)		at24°C (V)	at-10°C (V)	
SR626W	1.55	28	50	6.8	2.60	0.39	1.35	0.95	376
SR721W	1.55	26	50	7.9	2.10	0.41	1.35	1.05	361
SR726W	1.55	34	50	7.9	2.60	0.52	1.35	1.05	396
SR41W	1.55	45	80	7.9	3.60	0.67	1.35	1.05	392
SR920W	1.55	42	80	9.5	2.05	0.60	1.40	1.00	370
SR927W	1.55	53 60	90 110	9.5	2.70	0.75	1.40	1.05	399
SR1120W	1.55	53	90	11.6	2.05	0.93	1.40	1.20	391
SR1130W	1.55	80	130	11.6	3.05	1.29	1.40	1.20	389
SR43W	1.55	120	220	11.6	4.20	1.75	1.40	1.20	386
SR44W	1.55	160	250	11.6	5.40	2.20	1.40	1.20	357

*1 The standard capacity is calculated by the measurement result of discharging time with the standard discharge current to the voltage 1.2V.

*2 C.C.V.: Closed Circuit Voltage / High Drain 200Ω 5sec DC

CHECK SHEET

If you are considering the purchase of one or more of our microbatteries or capacitors, please complete this check sheet and send it to us.

We will let you know which products will be optimum for you to use.

1. Products of interest

Rechargeable Battery Capacitor (CPH3225A) Capacitor (CPX3225A) Silver Oxide Battery

2. Application circuits

3. Applications

As a power supply backup. As a main power supply.

If for backup power supply, load device is: RTC (Realtime clock) Other

4. Current consumption of load device

_____ μ A / mA

5. Minimum operating voltage of load device

_____ V

6. Required discharge time

_____ second / ms / μ s (If for pulsed discharging)

_____ minute / hour / day / month (If for loads such as main power applications, RTC backup power, etc.)

7. Usage environment temperature

8. Mounting

Reflow mounting required Reflow mounting not required

9. Service life of application

10. Desired charge voltage and charge time for rechargeable batteries and capacitors

_____ V, _____ hour

Environmental Activities at Micro-Energy Division

Environment & Quality Policy

Seiko Instruments Inc., Micro-Energy Division is located in Ayashi, a city with beautiful nature, in Miyagi Prefecture. Our aim is to provide customer satisfaction and harmony with the environment through all our products, from Micro battery to other electronic products, and sales activities.

1. We adhere firmly to laws, regulations and customers' specified requirements.
2. We aim to prevent pollution, to reduce CO₂, and to conserve biodiversity.
3. We set goals, take actions, conduct regular reviews, and improve the system and performance continuously.
4. We contribute to the society by supporting green procurement, developing green products, and promoting green life activity.
5. We adhere to regulations and recommendations regarding Chemical substance content in our products and will promote reduction and replacement.
6. We vigorously educate ourselves and try to engage voluntarily in green life activity.

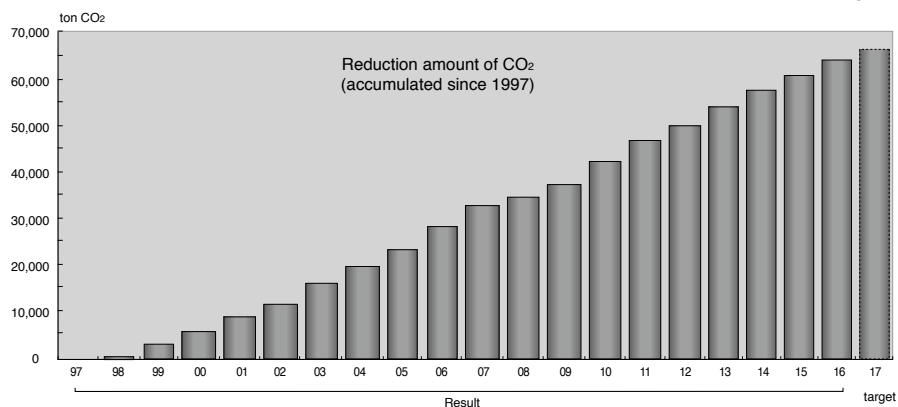
Based on the above policy, the following six environmental approaches are now being implemented throughout Micro-Energy Division.

1. Enrich the line up of Eco-Products

- We introduced the SII Green Product Label System which is equivalent to the ISO 14021 Type II environmental label. At the end of FY2006, 100% of our products are certified as SII Green Products. In addition, 42 products are certified as SII "High Grade" Green Products.

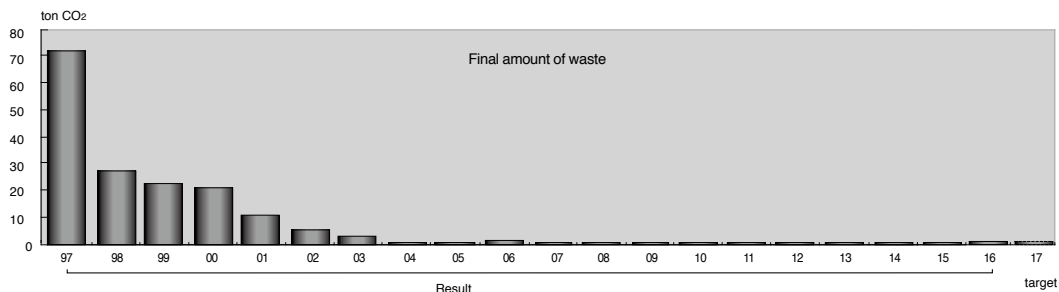
2. Reduction of Greenhouse Gas

- We practice various CO₂ reduction measures like using Eco-machinery. Since 1997, we have successfully reduced a total of 62,800 tons of CO₂. We believe our efforts contribute to the prevention of global warming.



3. 3R Promotion Activity

- We have promoted the "reduce and reuse" activities and also promoted recycling at the end of the production process. With these activities, we achieved "Zero-emission" in 2004. We have reduced the non-recyclable wastes to less than 1 ton - less than 1% of our 1997 results.



4. Biodiversity Conservation

- We endeavor to deepen our understanding on the relevancy between biodiversity and our business activities, and to contribute to the conservation of biodiversity by participating local community activities.

5. Green Purchasing

- We adhere to a green purchasing campaign through the purchase of ingredients, manufacturing materials, and other necessary products, whenever appropriate.

6. Green Life

- With the participation of all of Micro-Energy Division members, we deploy a clean-up and beautification campaign in all areas surrounding our factory once a year. In addition, we participate in the clean up activity at Hirose River once a year.

7. Conflict Minerals

- Recognizing the international importance of conflict minerals issue, we prohibit the use of such minerals.

Precautions for Your Safety

SII Lithium rechargeable batteries (MS, ML, TS) contain flammable organic solvents.

For your safety, please follow following prohibitions.

WARNING!

1. Do not charge by high current or high voltage.

Doing so may generate gas inside the battery, resulting swelling, fire, heat generation or bursting.

2. Do not heat, disassemble nor dispose of in fire

Doing so damages the insulation materials and may cause fire, heat generation, leakage or bursting.

3. Do not solder directly to the battery

If soldering is performed directly to the battery, the battery is heated up, consequently causing leakage, explosion or fire due to overheating from internal short-circuit.

4. Do not short.

If the (+) and (-) come into contact with metal materials, short-circuit occurs. As a result, fire, heat generation, leakage or bursting may occur.

5. Keep batteries out of children's reach.

It is dangerous that children swallow the battery.

When you design mechanical hardware around the battery, please fix the battery firmly in order to prevent children from removing it.

When you store the batteries, please keep the batteries out of children's reach.

If a battery is swallowed, consult a physician immediately.

6. Do not reverse placement of (+) and (-)

If the (+) and (-) side of the battery is reverse inserted, it may cause a short-circuit or over discharge of the battery on some equipment and it may induce overheating, explosion or fire.

7. Do not weld terminals to the battery

The heat by welding may cause fire, heat generation, leakage or bursting.

We weld standard terminals under strictly controlled conditions.

If you need to weld terminals to the battery, please consult us in advance.

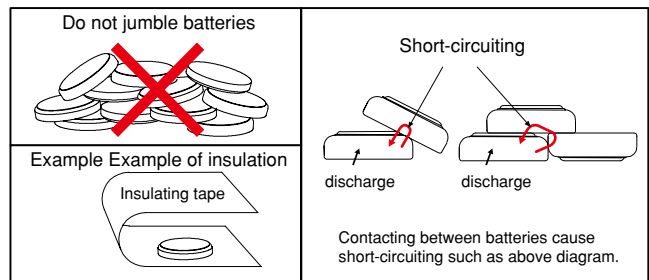
8. Do not discharge by force

If the battery is discharged by direct connection to an external power supply etc., voltage of the battery will decline lower than 0 volts (electrical reversal) and will cause the battery case to expand, overheat, leak, explode or burn.

9. In case of leakage or a strange smell, keep away from fire to prevent ignition of any leaked electrolyte.

10. In case of disposal, insulate between (+) and (-) of battery by an insulating material.

Jumbling batteries or with other metal materials cause short-circuit. As a result, fire, heat generation, leakage or bursting may occur.



CAUTION!

1. If leaked liquid gets in the eyes, wash them with clean water and consult a physician immediately.

2. Do not use new and used batteries together. Do not use different types of batteries together.

It may cause fire, heat generation, leakage or bursting.

3. If you connect two or more batteries in series or parallel, please consult us in advance.

It may cause bursting or fire due to unbalanced load or voltage.

4. Do not use nor leave the batteries in direct sunlight nor in high-temperature areas.

It may cause fire, heat generation, leakage or bursting.

5. Do not apply strong pressure to the batteries nor handle roughly.

It may cause fire, heat generation, leakage or bursting.

6. Avoid contact with water.

It may cause heat generation.

7. Keep batteries away from direct sunlight, high temperature and humidity.

It may cause heat generation or performance deterioration.

8. Do not make batteries airtight by sealing it with adhesive agent or coating agent.

It may cause short-circuit because of generated and accumulated electrolyte gas.

For prevention of performance deterioration of battery

1. Pay attention to mat or sheet for ESD

Battery with tabs or battery on PCB may short circuit on the mat for ESD. As a result, the voltage of the cell is reduced.

2. Pay attention to soldering by tips

Do not touch the battery by soldering iron tips directly. Keep any high temperature process away from battery.

3. Pay attention to material of jig for pick and place

Use non-conductive material of jig for pick and place of batteries, for short-circuit protect. If short-circuit of battery occurs, the voltage of battery drops down quickly but raises gradually.

4. Pay attention to washing and drying

Some detergent or high temperature drying may cause deteriorate of battery. If you need to wash batteries, consult us.

International Transportation and Disposal

• International Air / Marine / Ground Transportation

Regarding the transport of Lithium battery, organizations like IATA, ICAO, IMO, DOT have determined transport regulations, based on the United Nations Regulations.

Regarding air transport, SII Lithium rechargeable batteries can be transported being not subject to the provisions of dangerous goods, if the transportations meet the following requirements.

Please contact us for more details.

Regarding marine or ground transport, please contact us for more details, too.

(a) **<Strong Packaging>** Batteries are separated each other, and are packed in strong packaging so as to prevent short-circuit.

(b) **<Caution Label>** Lithium battery handling label (IATA prescribed), indicating that the packages contain Lithium batteries, that the packages must be handled with care, and that special procedures should be followed in the event that the package is damaged, and a telephone number for additional information, must be put on each package.

(c) **<CAO Label>** "CARGO AIRCRAFT ONLY" Label must be put on each package.

(d) **<Not Restricted Declaration>** Each shipment must be accompanied with a document indicating that the packages contain Lithium batteries, that the packages must be handled with care, that it must not be transported by

passenger flight, and that special procedures should be followed in the event that the package is damaged, and a telephone number for additional information.

(e) **<Package Drop Test>** Each package is capable of withstanding a 1.2m drop test in any orientation without damage to batteries contained.

(f) **<Weight Limit>** Net weight of one package may not exceed 2.5 kg.

(g) **<One carton per one shipment>** The shipment must be "one carton per one shipment" to be shipped as "Non-dangerous goods".

"One shipment" means one airway bill = one invoice.

[Transport as dangerous goods]

When you transport SII's Lithium rechargeable batteries by "more than one carton per one shipment", you will have to arrange it as "Dangerous goods". It requires special procedures, like "Class 9 dangerous goods Label" on carton, and "dangerous goods declaration".

• Disposal

Recently environmental protection regulations have increased and battery disposals are regulated globally.

Such regulations are different in each country, state, and municipality.

Please consult your local authorities regarding the specific regulations in your area.

Micro-Energy Division capacitors (CPH, CPX) contain flammable organic solvents. For your safety, please follow the following precautions.

 **WARNING!**

- **Do not charge by higher current or higher voltage than specified.**

Doing so may generate gas inside the capacitor, resulting in swelling, fire, heat generation or bursting.

- **Do not reverse placement of (+) and (-)**

SII capacitors have polarity. If the (+) and (-) side of the capacitor is reverse inserted, it may cause short-circuit or over discharge of the capacitor on some equipment and it may induce overheating, explosion or fire.

- **Keep capacitors out of children's reach.**

It is dangerous that children swallow the capacitor.

When you design mechanical hardware around the capacitor, please fix the capacitor firmly in order to prevent children from removing it.

When you store the capacitors, please keep the capacitors out of children's reach. If a capacitor is swallowed, consult a physician immediately.

- **Do not heat, disassemble nor dispose of in fire**

Doing so damages the insulation materials and may cause fire, heat generation, leakage or bursting.

- **Do not discharge by force**

If the capacitor is discharged by direct connection to an external power supply etc., voltage of the capacitor will decline lower than 0 volts (electrical reversal) and will cause the capacitor case to expand, overheat, leak, explode or burn.

- **In case of leakage or a strange smell, keep away from fire to prevent ignition of any leaked electrolyte.**

 **CAUTION!**

- **If leaked liquid gets in the eyes, wash them with clean water and consult a physician immediately.**

- **Do not use nor leave the capacitors in direct sunlight nor in high-temperature areas.**

It may cause fire, heat generation, leakage or bursting.

- **Do not make the capacitor airtight by sealing it with adhesive agent or coating agent.**

It may cause short-circuit because of generated and accumulated electrolyte gas.

- **Do not use new and used capacitors together. Do not use different types of capacitors together.**

It may cause fire, heat generation, leakage or bursting.

- **If you connect two or more capacitors in series or parallel, please consult us in advance.**

It may cause bursting or fire due to unbalanced load or voltage.

- **Keep capacitors away from direct sunlight, high temperature and humidity.**

It may cause heat generation or performance deterioration.

For using SII Silver Oxide batteries, please follow the following precautions.

 **WARNING!**

- **Do not heat, disassemble nor dispose of in fire**

Doing so damages the insulation materials and may cause fire, heat generation, leakage or bursting.

- **Do not short.**

If the (+) and (-) come into contact with metal materials, shortcircuit occurs. As a result, fire, heat generation, leakage or bursting may occur.

- **Keep batteries out of children's reach.**

It is dangerous that children swallow the battery.

When you design mechanical hardware around the battery, please fix the battery firmly in order to prevent children from removing it.

When you store the batteries, please keep the batteries out of children's reach.

If a battery is swallowed, consult a physician immediately.

- **If leaked liquid, alkaline, get in the eyes, do not rub them, wash them with clean water and consult a physician immediately.**

- **If leaked liquid, alkaline, stick to clothing, for protecting from irritation, wash them with clean water immediately.**

 **CAUTION!**

- **Do not reverse placement of (+) and (-)**

- **Do not solder directly to the battery**

- **Do not use new and used batteries together. Do not use different types of batteries together.**

- **Do not charge.**

- **Do not use nor leave the batteries in direct sunlight nor in high-temperature areas.**

- **Keep batteries away from direct sunlight, high temperature and humidity.**

- **Avoid letting battery contact water.**

- **Make sure to insert batteries without having (+) and (-) come in contact with metal parts of equipment.**

- **Read the equipment instruction manual and precautions carefully before using. Some usage or types of equipment do not suit the specifications or performance of these batteries.**

- **Remove batteries from the equipment, if finished using. Do not leave batteries connecting with equipment after using.**

- **In case of disposal, insulate between (+) and (-) of battery by an insulating material.**

IMPORTANT

1. The information herein is subject to change without notice.
2. Neither reproduction, duplication nor unauthorized use of this catalog in whole or part is allowed without the prior written approval of Seiko Instruments Inc.
3. The colors of the products reproduced herein ("Products") may be different from the actual colors. Check colors on actual products before using the Products.
4. Circuits and respective application methods described herein are for reference only. Seiko Instruments Inc. shall not be liable for any damages or losses resulting from any claim by third parties that any Products or application methods described herein infringe any right intellectual property right. All intellectual property rights with respect to the Products belong exclusively to Seiko Instruments Inc.

Seiko Instruments Inc. does not grant users of the Products any right or license to the Products hereunder.

5. When Products include Strategic Products (or Services) stipulated in the Foreign Exchange and Trade Control Law, they shall not be exported without permission of governmental authorities.

6. The Products are designed for consumer equipment and cannot be used as part of any device or equipment which influences the human body or requires a significantly high reliability, such as physical exercise equipment, medical equipment, disaster prevention equipment, gas related equipment, vehicles, aircraft and equipment mounted on vehicles without our prior express written consent.

All data, dimensions, characteristics and values shown in this catalogue are for reference only. Please contact your local Seiko Instruments Representative for current detailed specifications.



Micro-Energy Division who manufactures the products described in this catalog holds the ISO 9001 quality management system certificate, and the ISO 14001 environmental management systems certificate.



www.sii-me.com

Seiko Instruments Inc.

Electronic Components Sales Head Office
 1-8, Nakase, Mihamaku, Chiba-shi, Chiba 261-8507, Japan
 Telephone:+81-43-211-1735 Facsimile:+81-43-211-8034

Asia

Seiko Instruments (H.K.) Ltd.

4-5/F, Wylar Centre 2, 200 Tai Lin Pai Rd.,
 Kwai Chung, N.T., Kowloon, Hong Kong
 Telephone: +852-2494-5111
 Facsimile: +852-2480-5479
 Email:sales@sih.com.hk
 http://www.sih.com.hk

Seiko Instruments (Shanghai) Inc.

Room 2701-2703, 27th Floor,
 Shanghai Plaza,
 138 Mid Huaihai Rd.,
 Shanghai 200021, China
 Telephone: +86-21-6375-6611
 Facsimile: +86-21-6375-6727

Seiko Instruments (H.K.) Ltd.

- **Shenzhen Rep. Office**
 Room 2212-15, Office Tower, Shun Hing
 Square Di Wang Commercial Centre,
 5002 Shen Nan Dong Road, Shenzhen,
 518008, China
 Telephone: +86-755-8246-2680
 Facsimile: +86-755-8246-5140

Seiko Instruments Taiwan Inc.

12F, No.101, Sec.2, Nanking E. Rd.,
 Taipei 104, Taiwan, R.O.C.
 Telephone: +886-2-2563-5001
 Facsimile: +886-2-2563-5580
 Email:public@sii.co.jp
 http://www.sii.com.tw

Europe

Seiko Instruments GmbH

Siemensstrasse 9
 D-63263 Neu Isenburg, Germany
 Telephone: +49-6102-297-0
 Facsimile: +49-6102-297-50100
 Email:info@seiko-instruments.de
 http://www.seiko-instruments.de

North/Central/South America

Seiko Instruments U.S.A., Inc.

21221 S. Western Ave., Suite 250,
 Torrance, CA 90501, U.S.A.
 Telephone: +1-310-517-7802
 Facsimile: +1-310-517-7792
 Email:info@seikoinstruments.com
 http://www.sii-me.com

(Specifications are subject to change without notice.)

Released in March 2018

Contact us

X-ON Electronics

Largest Supplier of Electrical and Electronic Components

Click to view similar products for [Coin Cell Battery](#) category:

Other Similar products are found below :

[CVR-B01-1-E](#) [PW-0903H-W2-E](#) [PW-C0725-W1-A](#) [DPU-S445-BLUETOOTH](#) [IF2202-02B](#) [IFC-001K](#) [IFM201-01UK-E](#) [CAPM347B-E](#)
[LB1256-E](#) [SLP-1RLB](#) [SLP-MRL](#) [PW-C0725-W1-K](#) [LTP9247B-C448-E](#) [IF2301-01B](#) [IF3002-01B](#) [KPU-S447S-11H-E](#) [DPU-S445-01A-E](#)
[SC-32S32.768kHz20PPM7pF](#) [X1E0000210477](#) [SG-8018CE-29.500000MHz-TJHPA](#) [SG-8018CB-55.296000MHz-TJHSA](#) [SG-8018CE-](#)
[10.485760MHz-TJHPA](#) [SG-8018CB-33.000000MHz-TJHPA](#) [SG-8018CB-33.300000MHz-TJHPA](#) [SG-8018CB-40.000000MHz-TJHPA](#) [SG-](#)
[8018CE-54.000000MHz-TJHSA](#) [SG-8002CA-25.000000MHz-PHM](#) [SG-8002CA-24.000000MHz-PCB](#) [SG-8002CA-10.000000MHz-PCM](#)
[SG-8002CA-20.000000MHz-PCM](#) [SG-8002CA-62.500000MHz-PCM](#) [X1G004281001111](#) [X1G004261012611](#) [X1G004281010311](#) [SG-](#)
[9101CA 32.768MHz D05PHAAA](#) [SG-9101CB 24.000MHz C10PHAAA](#) [RP-B10-U11JW1-03](#) [APU-9247-C01P-E](#) [CAPD347A-E](#) [DPU-S245-](#)
[BLUETOOTH](#) [SLP-2RLH](#) [RP-E11-K3FJ1-U1C3](#) [RP-E10-K3FJ1-U1C3](#) [ACU2324C-A-E](#) [Q24FA20H00315](#) [X1E0002510046](#) [SG-8018CG-](#)
[106.666666MHz-TJHPA](#) [SG-8018CB-29.971000MHz-TJHPA](#) [SG-8018CB-66.667000MHz-TJHSA](#) [SG-8002CE-2.048000MHz-PCM](#)