

## SPOT-S Antenna Down- and Sidetilt Bracket 9091.99.0238

### Description

---

Down- and sidetilt bracket for HUBER+SUHNER SPOT-S antennas  
For outdoor and indoor applications

Hose clamps included



### Technical Data

---

#### Mechanical Data

Weight	0.1 kg
Dimensions (mm)	55 x 42 x 40 (Height x Width x Depth)
Mast diameter (mm)	25 - 85
Material	Stainless Steel

Max. tractive force 20N in x/y/z direction

Mounting material 2 screws M4 L=8mm and 2 hose clamps for pole-diameter 25 to 85 mm

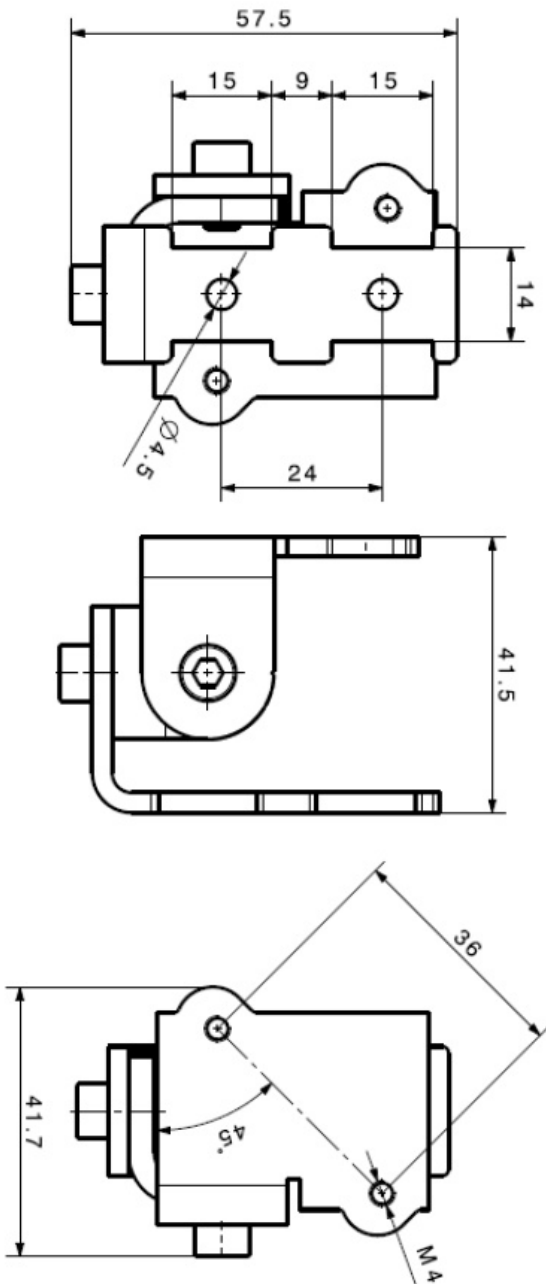
#### Environmental Data

RoHS 2011/65/EC	compliant
-----------------	-----------

#### Related Documents

Mounting instruction	DOC-0000321192
Painting instruction	DOC-0000256180
Security instruction	DOC-0000278984
Outline drawing1	DOU-00147326

## SPOT-S Antenna Down- and Sidetilt Bracket 9091.99.0238



## X-ON Electronics

Largest Supplier of Electrical and Electronic Components

*Click to view similar products for [Antennas](#) category:*

*Click to view products by [Huber & Suhner](#) manufacturer:*

Other Similar products are found below :

[CCT FM1](#) [ABFT](#) [AD-NM-SMAF 001-0021](#) [CTC110](#) [MAF94149](#) [EXE902SF](#) [MMCX-SMA-100](#) [PDQ24496-91NF](#) [GAN30084EU](#) [930-033-R](#) [A08-HABUF-P5I](#) [AAF95035](#) [DG-ANT-20DP-BG-B](#) [APAMPGJ-141](#) [1513563-1](#) [OF86315-FNF](#) [OP24516DS-91NM](#) [A09-HASM-7](#) [EXE902MD](#) [EXE902SM](#) [SPDA17806/2170LAR](#) [APAMPG-117](#) [GPS1575SP26-004](#) [GPS15MGSMA](#) [CMD69273P-30NF](#) [CMQ69273-30NF](#) [RD2458-5-OTDR-NM](#) [RD2458-5-RSMA](#) [TRAB24/49003](#) [W4120ER5000](#) [W6102B0100](#) [YE572113-30RSMM](#) [108-00014-50](#) [SPDA17RP918](#) [OP24516SX-91NM](#) [OP24516SX-91RSMM](#) [CMQ69273P-30NF](#) [CMS69273-30NF](#) [CMS69273P-30NF](#) [TRAB24003N](#) [TRAB24003NP](#) [TRAB8213NP](#) [TRAB8903](#) [A09-Y8NF](#) [A09-Y11NF](#) [A09-HSM-7](#) [A09-F8NF-M](#) [A09-F5NF-M](#)