

THIS SERIES FULLY CONFORMS TO THE EUROPEAN UNION DIRECTIVES 2002/95/EC AND 2002/96/EC FOR ROHS COMPLIANCY.



# MH CONNECTORS LTD.

MHDA09-SMJ8-XX-K

DRAWING No

SCALE SHEET OF 1 OF 1 REV: 2.0

THESE DRAWINGS AND SPECIFICATIONS ARE THE PROPERTY OF MH CONNECTORS LTD. AND SHALL NOT BE REPRODUCED, COPIED OR USED AS THE BASIS FOR THE MANUFACTURE OR SALE OF APPARATUS WITHOUT WRITTEN PERMISSION.

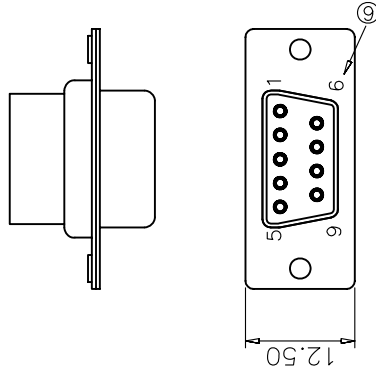
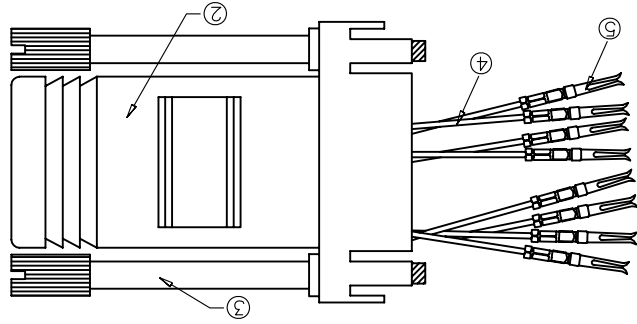
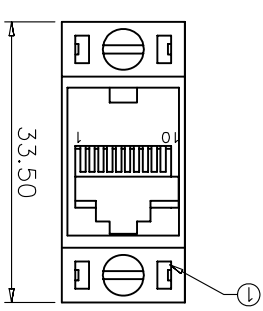
DATE DRAWN 07-10-13  
 APPROVED Johnny  
 DATE

PRODUCT CODE	COLOUR
MHDA09-SMJ8-BK-K	BLACK
MHDA09-SMJ8-B-K	BLUE
MHDA09-SMJ8-G-K	GREEN
MHDA09-SMJ8-R-K	RED
MHDA09-SMJ8-Y-K	YELLOW
MHDA09-SMJ8-LG-K	LIGHT GREY

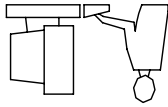
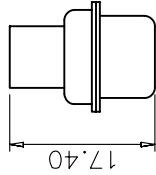
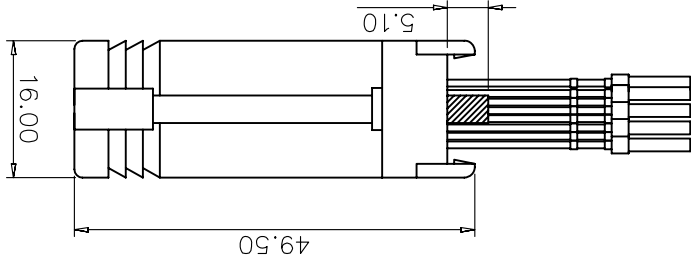
ORDERING INFORMATION:

NO.	Name	Description	Qty
1	Conn	Modular jack 10P8C Female,ABS,Gray,Gold Flash Contact	1
2	Hood	ABS,Gray,Black,Blue,Green,Red,Yellow,Light Grey	1
3	Screw	#4-40UNC Thumb Screw Nickel Plated	2
4	Wire	UL1061,26AWG,7 Stand Lead Wire	8
5	Terminal	D-SUB Female Terminal,Copper,Gold Plated	8
6	Conn	Crimp Wire D-SUB Female 9pin Black Insulator	1

ROHS Compliant



POSITION	COLOUR
1	Blue
2	Blue
3	Orange
4	Black
5	Red
6	Green
7	Yellow
8	Brown
9	White
10	



THIS IS A C.A.D. GENERATED DRAWING DO NOT MAKE MANUAL REVISIONS TO MASTER.

\* UNLESS OTHERWISE SPECIFIED TOLERANCES ON DECIMAL IS: ANGLE ± 1°  
 X ± 0.30  
 .XX ± 0.20  
 .XXX ± 0.10  
 UNIT: MM

## X-ON Electronics

Largest Supplier of Electrical and Electronic Components

*Click to view similar products for [D-Sub Standard Connectors](#) category:*

*Click to view products by [MH Connectors](#) manufacturer:*

Other Similar products are found below :

[DCM37S732N](#) [DAM15P500](#) [DEV09S364GTLF](#) [DEM09P032N](#) [DDM50P732N](#) [DAM15S332N](#) [173109-2218](#) [173109-2466](#) [173109-2436](#)  
[173109-2435](#) [56F706-005-LI](#) [56F711-015](#) [015-0341-000](#) [015-0372-008](#) [015-8544-011](#) [017041-0005](#) [020419-0104](#) [012-0515-000](#) [012-9507-](#)  
[034](#) [012-9507-114](#) [012-9534-001](#) [020745-0008](#) [609-25P](#) [M24308/2-23Z](#) [M243082310F](#) [M243082410F](#) [M243082411F](#) [M24308/4-21](#)  
[CT1A18-11PSA206](#) [CT1N36-5SC](#) [CT2-16S-17PS](#) [CT2-20-15PCAU](#) [CT2-24-12PS](#) [CT2-24-28PSF127A206](#) [CT2-32-9PC](#) [CT6F9767-14-4-](#)  
[14S-5PC](#) [CT6FA10SL-4PS](#) [CT7-18-10SC](#) [CT7-18-10SCAU](#) [CT7-18-12SCAU](#) [CT7-18-1PC](#) [CT7-18-1PCAU](#) [CT7-18-21SCAU](#) [M83513/01-](#)  
[FC](#) [M83723/76W24619 L/C](#) [M85049/48-3-2F](#) [69001-865](#) [6STD09PCM99B70X](#) [6STD09SCM99B30X](#) [6STD09SCT99S40X](#)