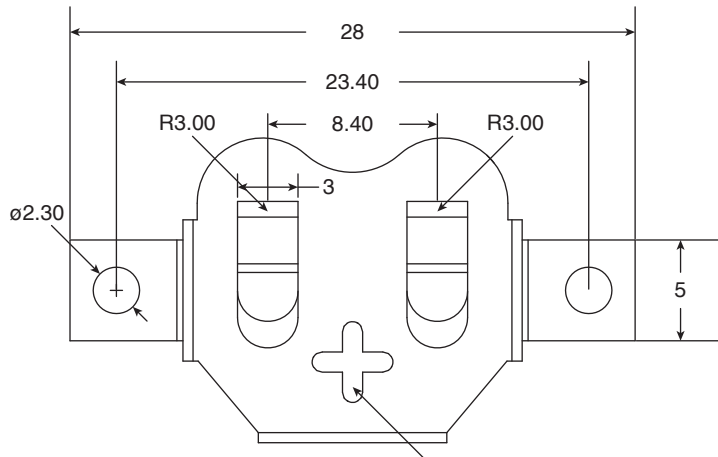
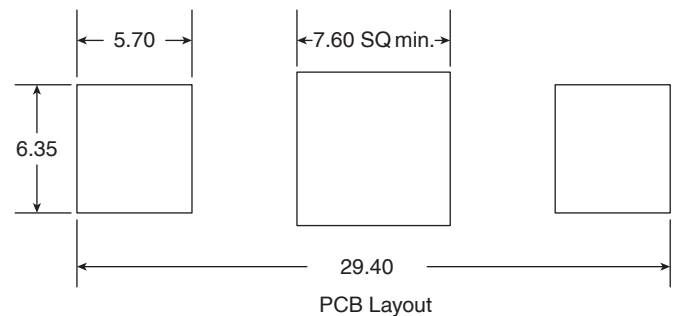
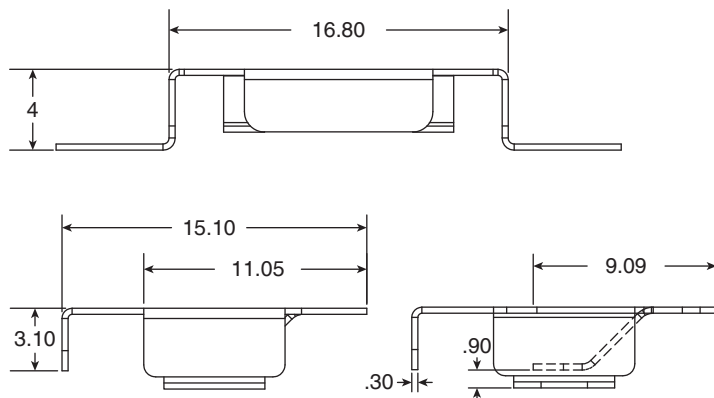
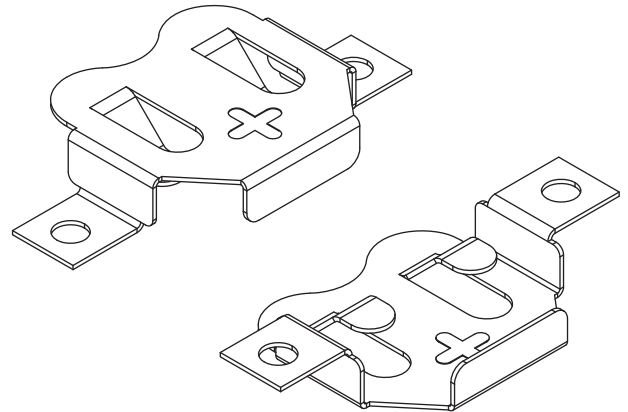


DIMENSIONS: mm.



Stamped Polarity Marking (+)



SPECIFICATIONS

Material:	.30mm Phosphor Bronze 1/2H, Nickel Plated 4" - 6μ"
Battery Size:	CR1612, CR1616, and CR1620
RoHS Compliant	

X-ON Electronics

Authorized Distributor

Click to view similar products for Cylindrical Battery Contacts, Clips, Holders & Springs category:

[1185](#) [1076](#) [1129](#) [FLUKE 707](#) [1101](#) [5230](#) [1198](#) [1014](#) [163-165](#) [MM2030](#)