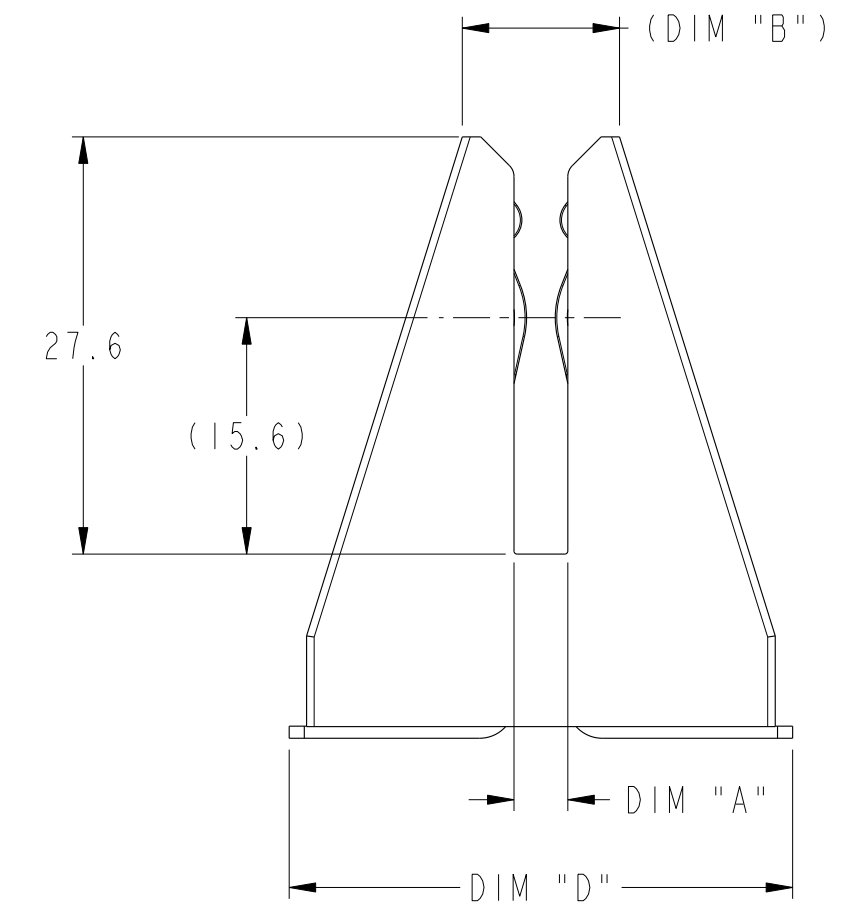
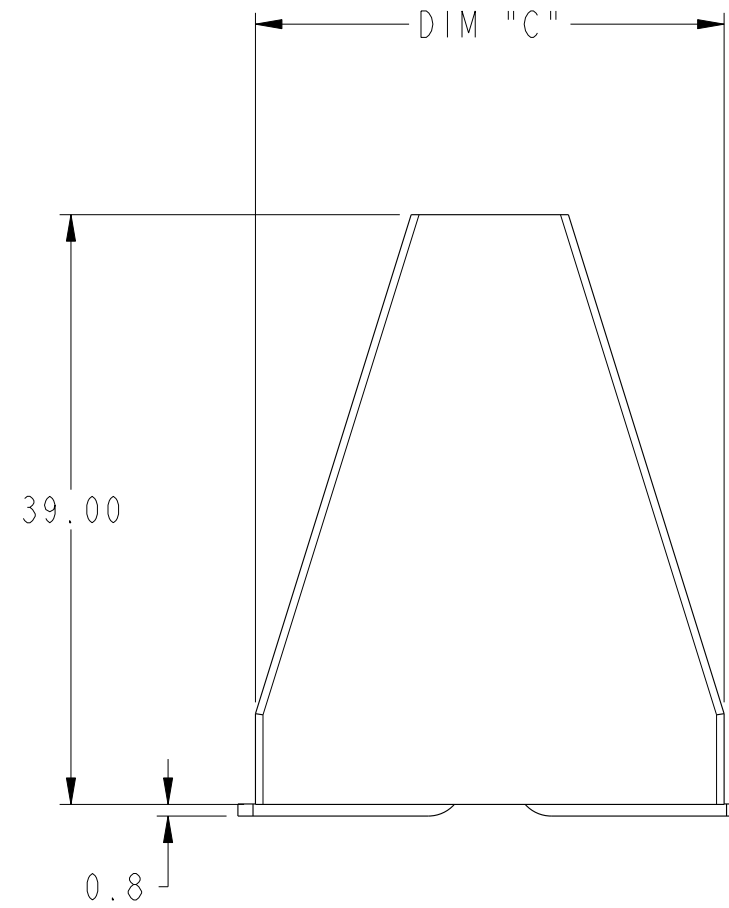
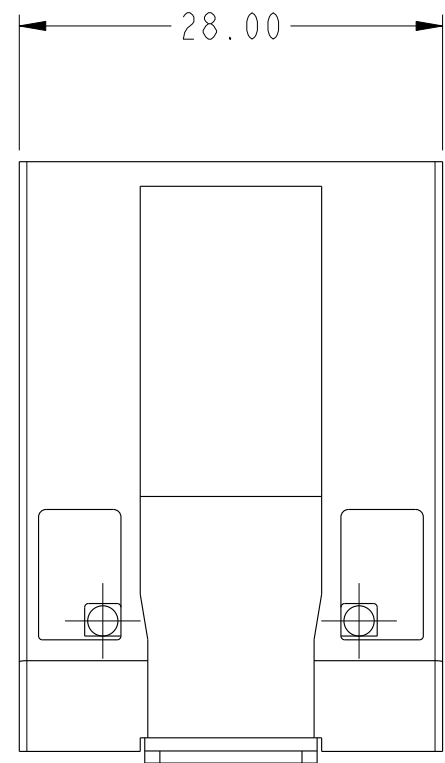


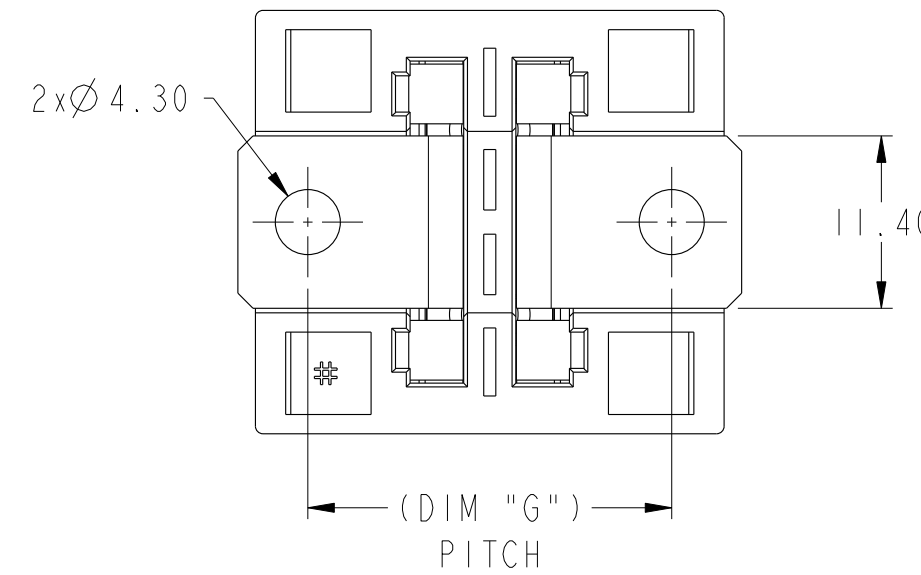
| PRODUCT NUMBER | ASSEMBLY TYPE | DIM "A" | DIM "B" | DIM "C" | DIM "D" | DIM "G" PITCH | MATING BUS-BAR THICKNESS DIM "H" ±0.10 |
|----------------|------------------|---------|---------|---------|---------|---------------|---|
| 10134620-001LF | OPEN SIDE WALL | 2.56 | 9.4 | 30.0 | 32.3 | 23.0 | 2.00 |
| 10134620-002LF | | 3.56 | 10.4 | 31.0 | 33.3 | 24.0 | 3.00 |
| 10134620-003LF | | 4.56 | 11.4 | 32.0 | 34.3 | 25.0 | 4.00 |
| 10134620-004LF | CLOSED SIDE WALL | 2.56 | 9.4 | 30.0 | 32.3 | 23.0 | 2.00 |
| 10134620-005LF | | 3.56 | 10.4 | 31.0 | 33.3 | 24.0 | 3.00 |
| 10134620-006LF | | 4.56 | 11.4 | 32.0 | 34.3 | 25.0 | 4.00 |



CLOSED SIDE WALL

OPEN SIDE WALL

| CLOSED SIDE WALL | OPEN SIDE WALL |
|------------------|----------------|
| | |
| | |
| SCALE 1:1 | SCALE 1:1 |

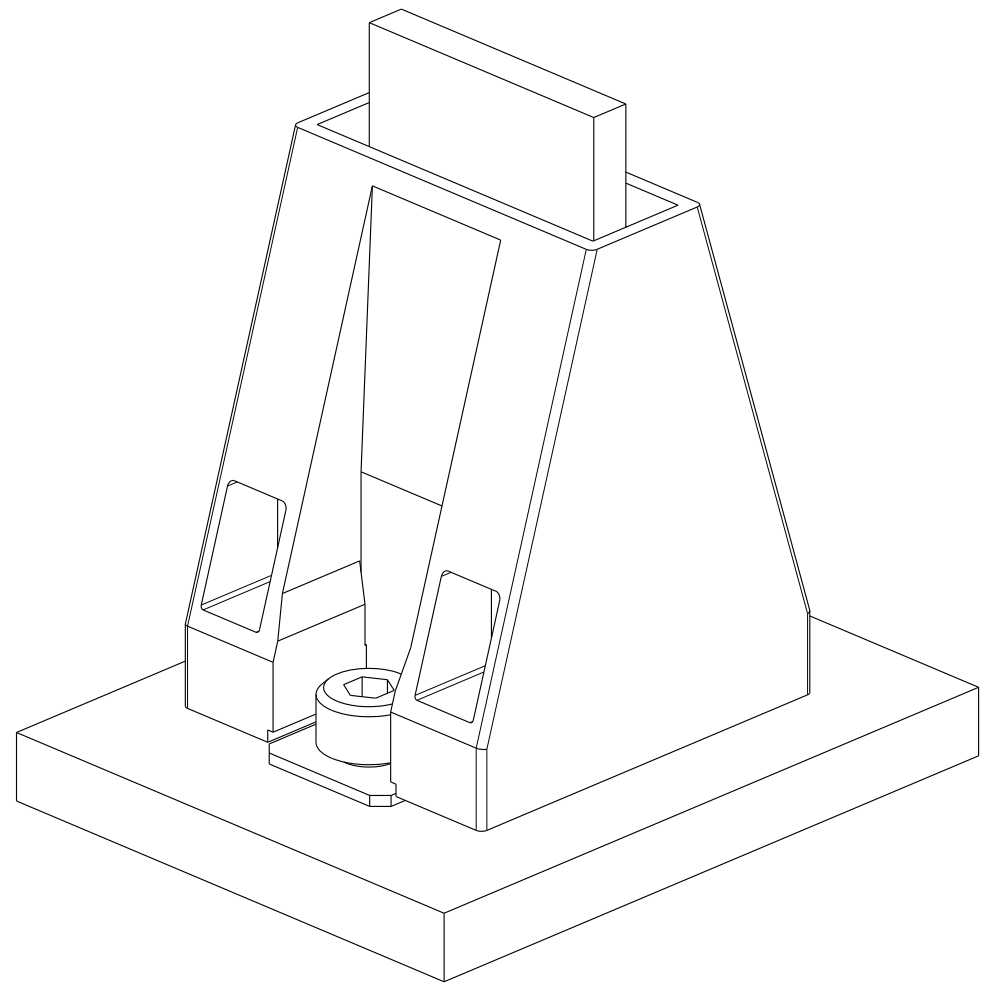


| | | | | | | | | | | |
|---------------|-------------|---------|------------|------------|---------------------------|----|--------------|---------------------------|-----------|-------------|
| spec ref | - | dr | Terris Liu | 2015/12/08 | projection | mm | size | A2 | scale | 2:1 |
| tolerance std | ASME Y14.5M | eng | Terris Liu | 2016/07/22 | product family | - | ecn no | - | rel level | Preliminary |
| surface | ASME Y14.5M | linear | 0.X | ±0.50 | Amphenol FCI | | title | BarKlip VERTICAL ASSEMBLY | | rev |
| | | angular | 0° | ±2° | www.fci.com | | cat. no. | Product - Customer Drw | | 1 |
| | | | 0.XX | ±0.30 | BarKlip VERTICAL ASSEMBLY | | dwg no | 10134620 | | 1 |
| | | | 0.XXX | ±0.15 | CLOSED SLOT TYPE | | rel level | Preliminary | | 1 |
| | | | | | Product - Customer Drw | | sheet 1 of 2 | | | |

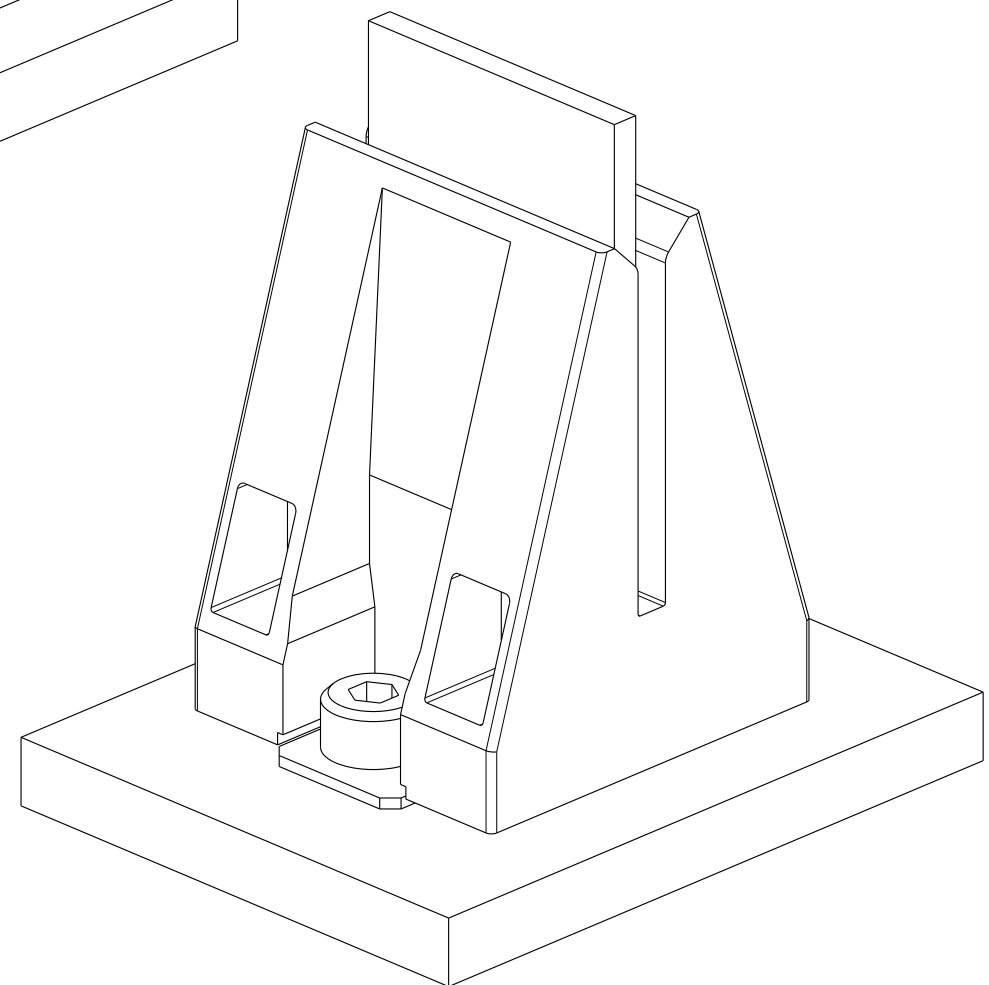
Amphenol FCI

© 2016 AFCI

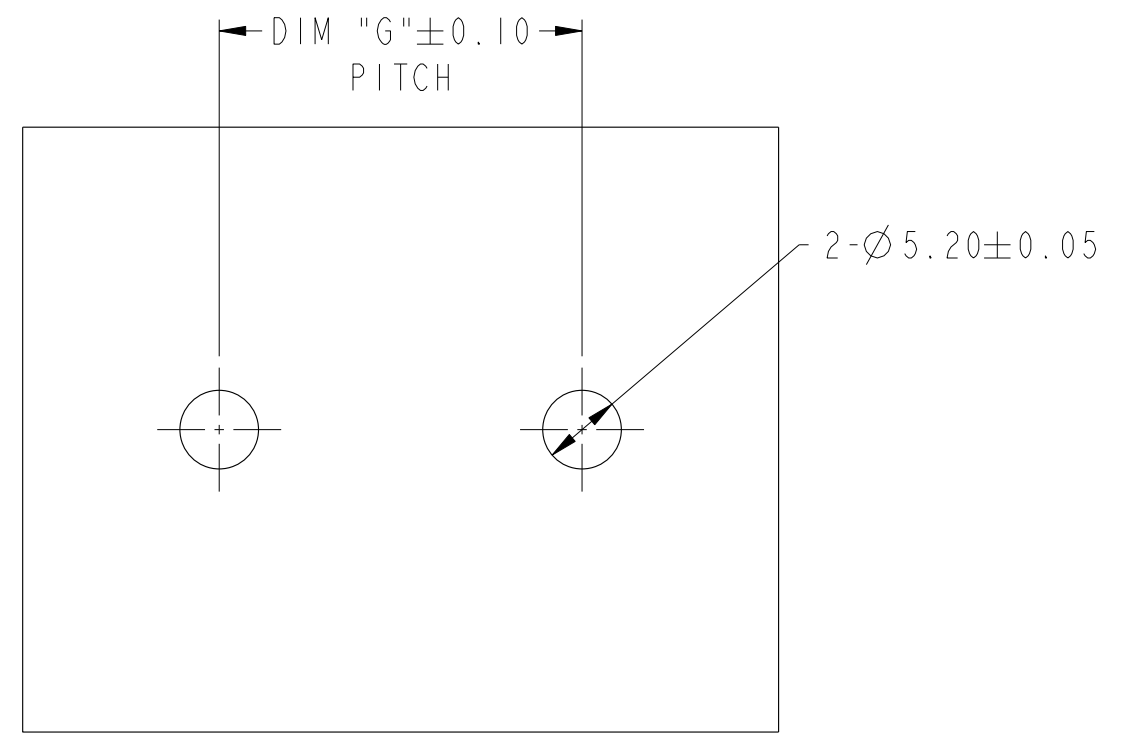
| S.NO | DESCRIPTION | QTY | REMARKS |
|------|------------------|-----|--|
| 1 | Product | 1 | OPEN / CLOSED SIDE WALL |
| 2 | MATING BUS-BAR | 1 | PLATING RECOMMENDATION:3 um Silver over 2.54 um Nickel |
| 3 | M4 SCREW | 2 | |
| 4 | M4 WASHER | 4 | |
| 5 | M4 NUT | 2 | |
| 6 | MOUNTING BUS-BAR | 1 | PLATING RECOMMENDATION:3 um Silver over 2.54 um Nickel |



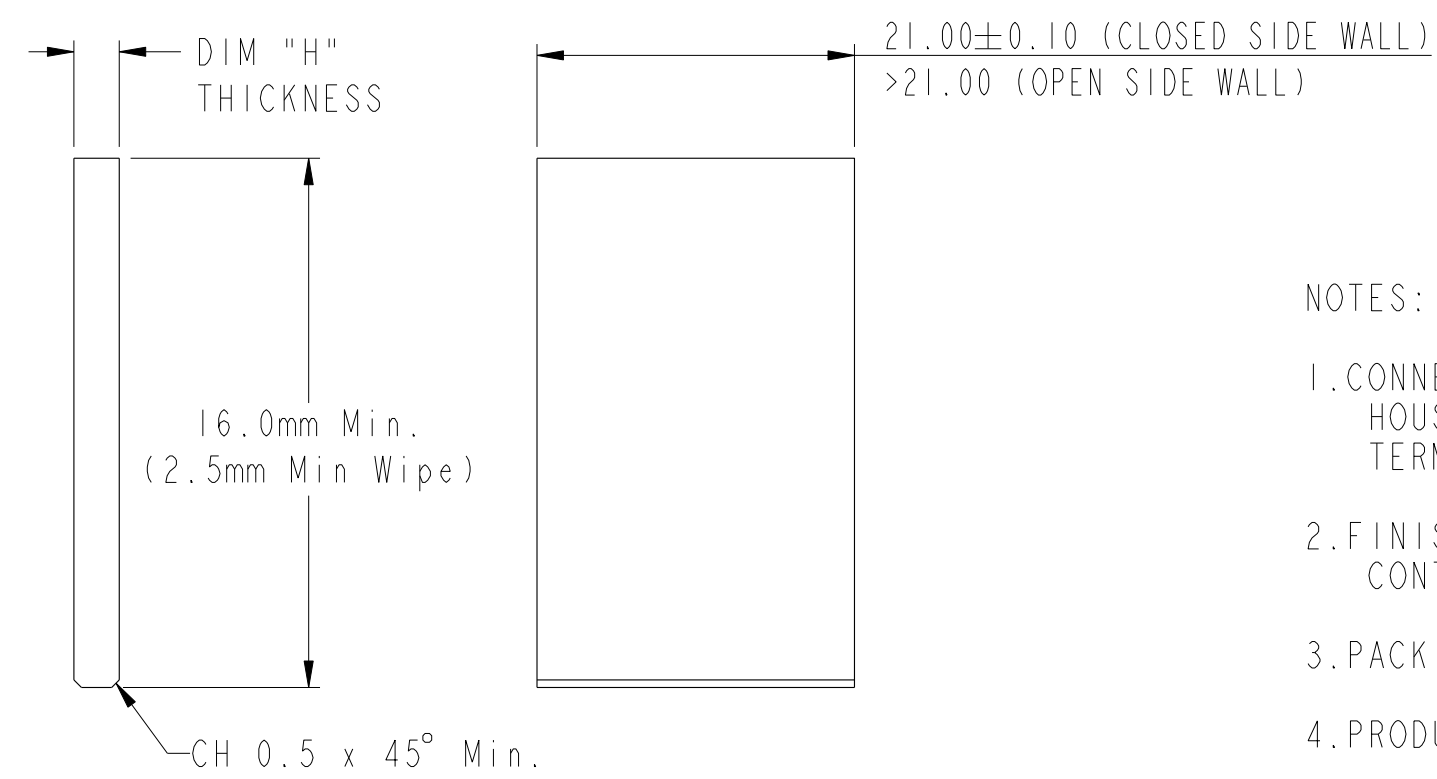
CLOSED SIDE WALL



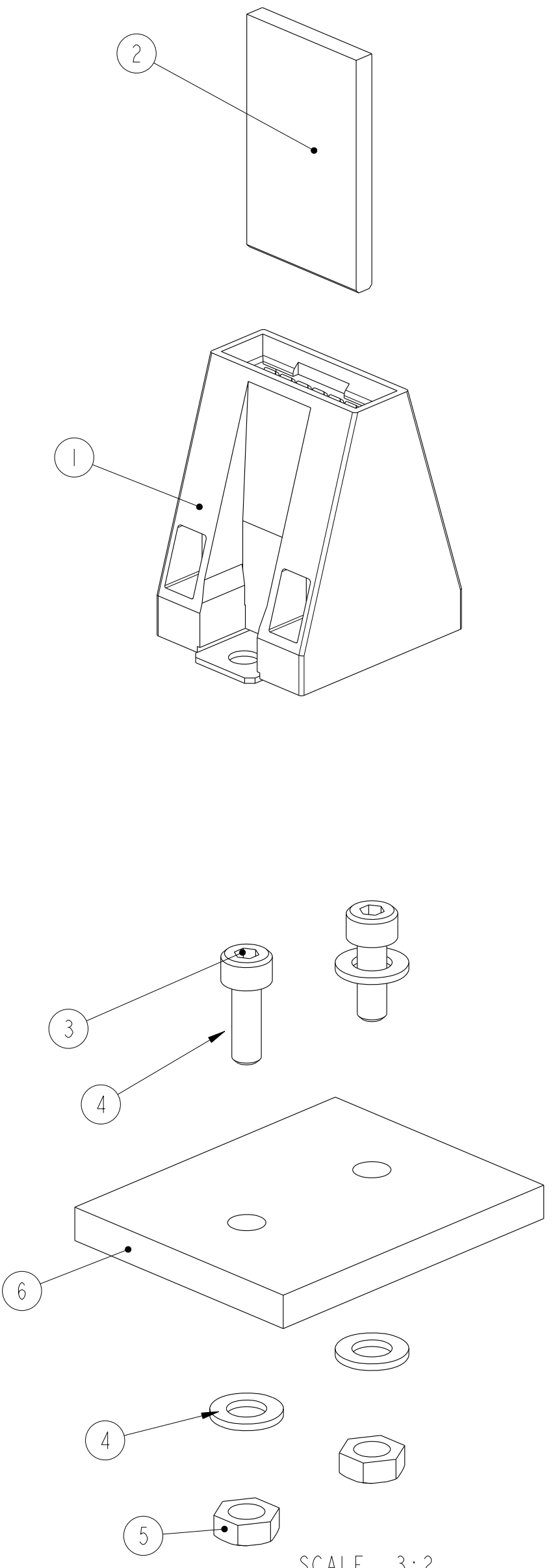
OPEN SIDE WALL



SCALE 2:1
RECOMMENDED MOUNTING BUS-BAR THICKNESS 5.00 MAX.



SCALE 2:1
RECOMMENDED MATING BUS-BAR



SCALE 3:2

NOTES:

- CONNECTOR MATERIAL:
HOUSING: HIGH TEMPERATURE THERMOPLASTIC GLASS FILLED, Black,UL 94V-0
TERMINALS: COPPER ALLOY
- FINISHES:
CONTACT AREA:PLATED AGT OVER NICKEL I
- PACKING SPECIFICATION: GS-14-2376
- PRODUCT SPECIFICATION: GS-12-1319
- PRODUCT APPLICATION: GS-20-0446
- LEAD FREE PRODUCTS MEET EUROPEAN UNION DIRECTIVES AND OTHER COUNTRY REGULATIONS AS DESCRIBED IN GS-47-0004.

| | | | | | | | | | | |
|---------------------------------------|-------------|--------------|------------|---------------------------|------------|--------------|--------|---------|-----------|-------------|
| spec ref | - | dr | Terris Liu | 2015/12/08 | projection | mm | size | A2 | scale | 2:1 |
| tolerance std | ASME Y14.5M | eng | Terris Liu | 2016/07/22 | chr | - | ecn no | - | rel level | Preliminary |
| surface | linear | 0.X | ±0.50 | 0.XX | ±0.30 | 0.XXX | ±0.15 | angular | 0° | ±2° |
| TOLERANCES UNLESS OTHERWISE SPECIFIED | | Amphenol FCI | | BarKlip VERTICAL ASSEMBLY | | 10134620 | | rev | | 1 |
| www.fci.com | | cat. no. | | Product - Customer Drw | | sheet 2 of 2 | | | | |

Amphenol FCI

© 2016 AFCI

X-ON Electronics

Largest Supplier of Electrical and Electronic Components

Click to view similar products for [Heavy Duty Power Connectors](#) category:

Click to view products by [Amphenol](#) manufacturer:

Other Similar products are found below :

[1424439](#) [1424438](#) [09330062652](#) [2-8675P1](#) [605601-1](#) [6340G1](#) [6341G1](#) [6360G1](#) [6373G1](#) [6374g2](#) [6396G1](#) [647757-1](#) [66394-4](#) [6643411-1](#)
[6646058-2](#) [6646137-1](#) [6646138-1](#) [6646348-1](#) [6646479-1](#) [6646608-1](#) [6646786-1](#) [6646940-1](#) [6651091-1](#) [6651525-1](#) [6651529-1](#) [6651778-1](#)
[6651788-1](#) [696465-1](#) [696475-1](#) [73000005059](#) [73000005349](#) [73000005642](#) [73080255059](#) [73080965046](#) [765-15-0080A](#) [765-16-0080B](#)
[789.700-44](#) [789.700-54](#) [80-1010](#) [80-9](#) [827381-1](#) [829992-1](#) [902-77-02113](#) [PL00U-301-10D10](#) [PM103MOOLOO](#) [PM16S1620S32-50](#)
[PM212MOOLOO](#) [PM309FOOLOO](#) [PM324FOOLCH](#) [PMHPAF11S03](#)