

# RM SERIES SHELL SIZE 12 - 31mm CIRCULAR CONNECTORS

## Introduction

RM Series are compact, circular connectors HIROSE has developed as the result of many years of research and proven experience to meet the most stringent demands of communication equipment as well as electronic equipment. RM Series is available in 5 shell sizes: 12, 15, 21, 24, and 31. There are also 16 kinds of contacts: 2, 3, 4, 5, 6, 7, 8, 10, 12, 15, 20, 31, 40, and 55 (contacts 2 and 4 are available in two types). And also available water proof type in special series. The lock mechanisms with thread coupling type, bayonet sleeve type or quick detachable type are easy to use.

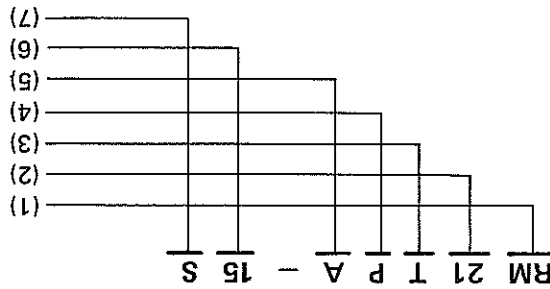
Various kinds of accessories are available.

RM Series are miniaturized in size, rugged and excellent in mechanical and electrical performance thus making it possible to meet the most stringent demands of users. Refer to the contact arrangements of RM series connectors on page 60~61.

## Main materials (Note that the above may not apply depending on type.)

Part	Material	Finish
Shell	Brass and Zinc alloy	Nickel plated
Insulator	Synthetic resin	
Male contact	Copper alloy	Silver plated
Female contact	Copper alloy	Silver plated

## Ordering Information



## Product identification

- (1) RM: Round Miniature series name
  - (2) 21: The shell size is figured by outer diameter of fitting section of plug and available in 5 types, 12, 15, 21, 24, 31.
  - (3) T: Type of lock mechanism as follows:
    - T: Thread coupling type
    - B: Bayonet sleeve type
    - Q: Quick detachable type
  - (4) P: Type of connector
    - P: Plug
    - R: Receptacle
    - J: Jack
    - WP: Waterproof
    - WR: Waterproof receptacle
    - P-CP\*: Cord clamp for plug (\* is shown applicable diameter of cable)
- (5) A: Shell model change mark
- (6) 15: Number of pins
- (7) S: Shape of contact
- S: Socket
- P: Pin
- However, connecting method of contact or type shall be classified adding with alphabetical letter.
- Each time the shell undergoes a change in enclosure or the like, it is marked as A, B, D, E. Do not use the letter for C, J, P, R avoiding confusion.

**Standard RM Series**

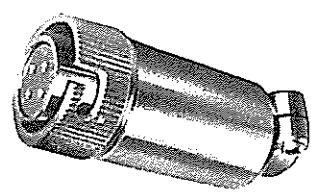
**RM12B Connectors**

Standard RM series are more compact and higher in performance than our former models. Mechanically stable thanks to its rigid and simple construction. Used widely for all types of equipment, although no special measures are taken for resistance to harsh conditions such as dustproof or waterproof design.

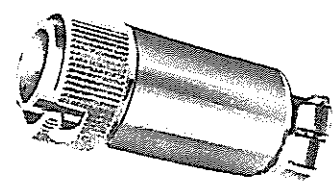
RM12B connectors (bayonet sleeve type) are provided with a bayonet sleeve locking mechanism, the most compact in the series.

**Plug**

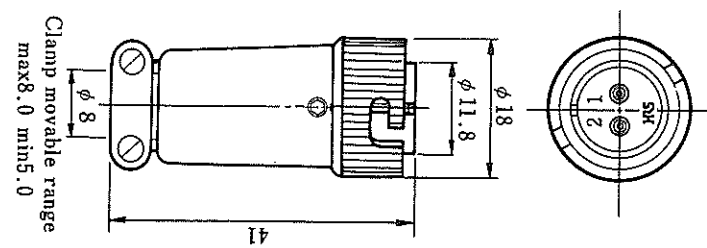
(Bayonet sleeve type)



RM12BPE-4S (71)



RM12BPE-4PH (71)



HRS No.	Part No.	No. of pins	RoHS
109-0423-0-71	RM12BPE-2S (71)	2	
109-0424-2-71	RM12BPE-3S (71)	3	
109-0425-5-71	RM12BPE-4S (71)	4	
109-0426-8-71	RM12BPE-5S (71)	5	
109-0427-0-71	RM12BPE-6S (71)	6	
109-0428-3-71	RM12BPE-7S (71)	7	

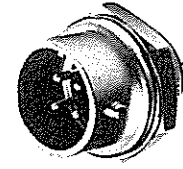
  

HRS No.	Part No.	No. of pins	RoHS
109-0417-7-71	RM12BPE-2PH (71)	2	
109-0418-0-71	RM12BPE-3PH (71)	3	
109-0419-2-71	RM12BPE-4PH (71)	4	
109-0420-1-71	RM12BPE-5PH (71)	5	
109-0421-4-71	RM12BPE-6PH (71)	6	
109-0422-7-71	RM12BPE-7PH (71)	7	

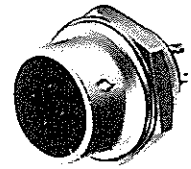
(An example in shape)

**Receptacle**

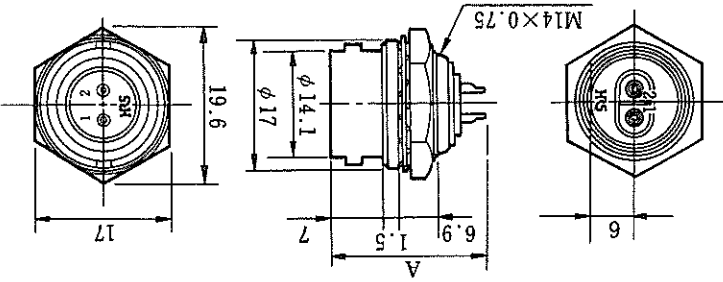
Receptacle(Jam Nut to be fastened)



RM12BRD-4PH (71)



RM12BRD-4S (71)



HRS No.	Part No.	No. of pins	RoHS
109-0823-8-71	RM12BRD-2PH (71)	2	20.5
109-0824-0-71	RM12BRD-3PH (71)	3	20.5
109-0825-3-71	RM12BRD-4PH (71)	4	20.5
109-0826-6-71	RM12BRD-5PH (71)	5	20.5
109-0827-9-71	RM12BRD-6PH (71)	6	20.5
109-0828-1-71	RM12BRD-7PH (71)	7	20.5

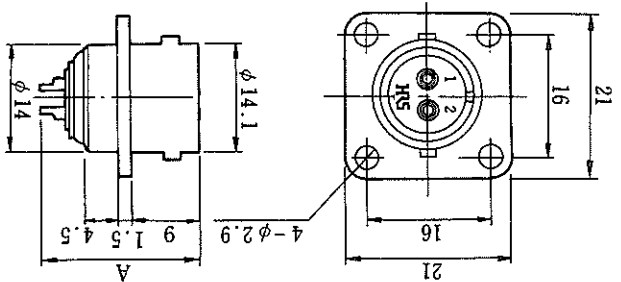
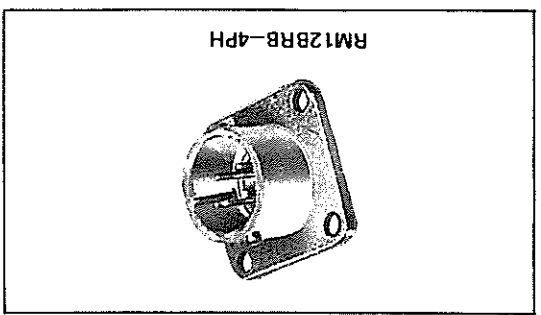
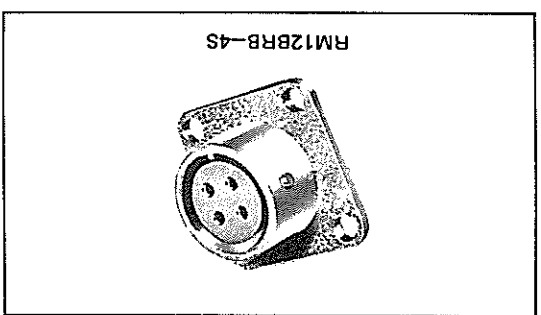
HRS No.	Part No.	No. of pins	RoHS
109-0609-8-71	RM12BRD-2S (71)	2	21.6
109-0610-7-71	RM12BRD-3S (71)	3	21.6
109-0611-0-71	RM12BRD-4S (71)	4	21.6
109-0612-2-71	RM12BRD-5S (71)	5	21.6
109-0613-5-71	RM12BRD-6S (71)	6	21.6
109-0619-1-71	RM12BRD-7S (71)	7	21.6

(An example in shape)

Remark: For mounting holes, see page 60.

## Receptacle

Receptacle (square flange) single method

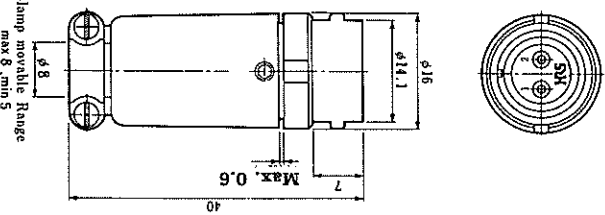
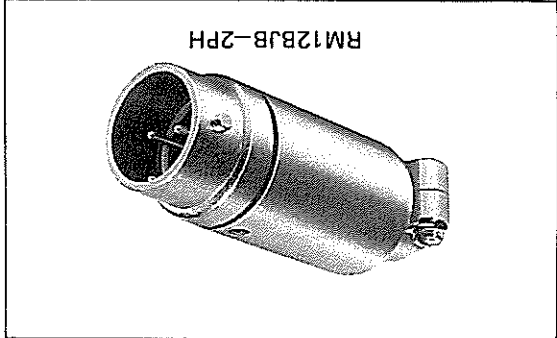
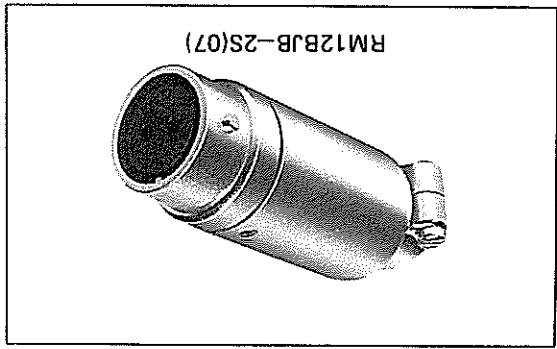


HRS No.	Part No.	No of pins	A	Rohs
109-0577-3	RM12BRB-2S	2	21.6	
109-0578-6	RM12BRB-3S	3	21.6	
109-0579-9	RM12BRB-4S	4	21.6	
109-0580-8	RM12BRB-5S	5	21.6	
109-0581-0	RM12BRB-6S	6	21.6	
109-0615-0	RM12BRB-7S	7	21.6	
HRS No.	Part No.	No of pins	A	Rohs
109-0817-5	RM12BRB-2PH	2	20.5	
109-0818-8	RM12BRB-3PH	3	20.5	
109-0819-0	RM12BRB-4PH	4	20.5	
109-0820-0	RM12BRB-5PH	5	20.5	
109-0821-2	RM12BRB-6PH	6	20.5	
109-0822-5	RM12BRB-7PH	7	20.5	

(An example in shape)

Remarks: 1. For mounting holes, see page 60.  
2. Note that the RM12BRB differs in mounting dimensions from the RM12BR-F.

## Jack



(An example in shape)

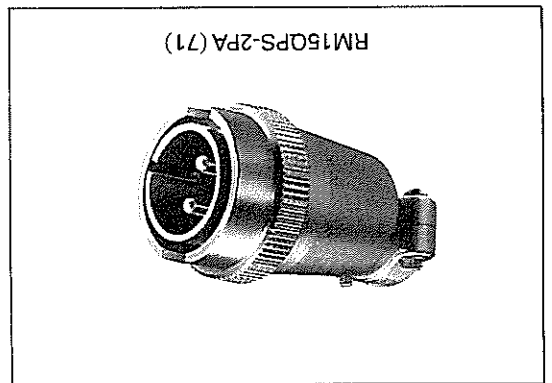
HRS No.	Part No.	No of pins	Rohs
109-0638-6(07)	RM12BJB-2S(07)	2	
109-0639-9(07)	RM12BJB-3S(07)	3	
109-0640-8(07)	RM12BJB-4S(07)	4	
109-0641-0(07)	RM12BJB-5S(07)	5	
109-0642-3(07)	RM12BJB-6S(07)	6	
109-0643-6(07)	RM12BJB-7S(07)	7	
HRS No.	Part No.	No of pins	Rohs
109-0829-4	RM12BJB-2PH	2	
109-0830-3	RM12BJB-3PH	3	
109-0831-6	RM12BJB-4PH	4	
109-0832-9	RM12BJB-5PH	5	
109-0833-1	RM12BJB-6PH	6	
109-0834-4	RM12BJB-7PH	7	

## Model RM15Ω Connectors

(Quick insertion/extraction system)

The model RM15Ω connectors have a quick insertion/extraction locking mechanism. Developed by HIROSE, this mechanism allows quicker operation than the locking mechanism of a thread coupling or bayonet coupling.

## Plug

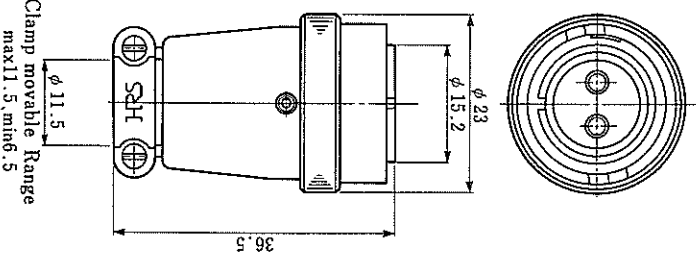


RM15QPS-2PA (71)

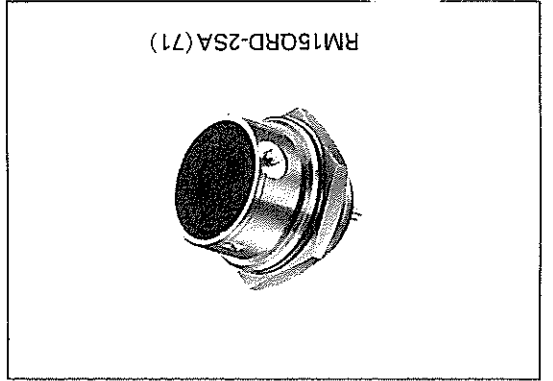
HRS No.	Part No.	No of pins	A	RoHS
109-0839-8-71	RM15QPS-2SA (71)	2	21	○
109-0840-7-71	RM15QPS-4SA (71)	4	21	○
109-0852-6-71	RM15QPS-8S (71)	8	20.6	○
109-0853-9-71	RM15QPS-10S (71)	10	20.6	○
109-0981-9-71	RM15QPS-12S (71)	12	20.6	○

HRS No.	Part No.	No of pins	A	RoHS
109-0896-1-71	RM15QPS-2PA (71)	2	21.7	○
109-0897-4-71	RM15QPS-4PA (71)	4	21.6	○
109-0850-0-71	RM15QPS-8PH (71)	8	21.6	○
109-0851-3-71	RM15QPS-10PH (71)	10	21.6	○
109-0980-6-71	RM15QPS-12PH (71)	12	21.6	○

(An example in shape)



## Receptacle (Jam Nut to be fastened)



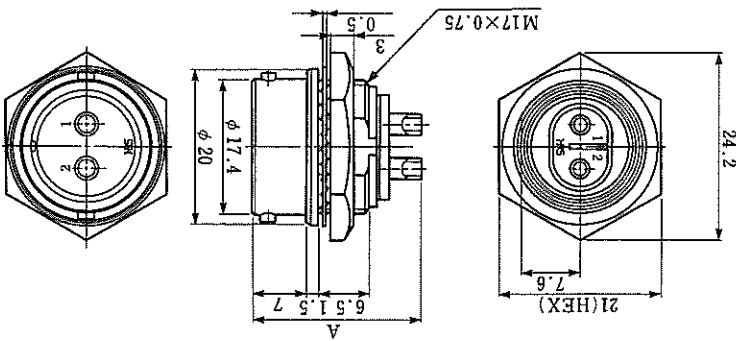
RM15QRD-2SA (71)

HRS No.	Part No.	No of pins	A	RoHS
109-0880-1-71	RM15QRD-2PA (71)	2	21	○
109-0881-4-71	RM15QRD-4PA (71)	4	21	○
109-0854-1-71	RM15QRD-8PH (71)	8	20.6	○
109-0855-4-71	RM15QRD-10PH (71)	10	20.6	○
109-0982-1-71	RM15QRD-12PH (71)	12	20.6	○

HRS No.	Part No.	No of pins	A	RoHS
109-0841-0-71	RM15QRD-2SA (71)	2	21.7	○
109-0842-2-71	RM15QRD-4SA (71)	4	21.7	○
109-0864-5-71	RM15QRD-8S (71)	8	21.6	○
109-0779-8-71	RM15QRD-10S (71)	10	21.6	○
109-0983-4-71	RM15QRD-12S (71)	12	21.6	○

Remark: For mounting holes, see page 60.

(An example in shape)

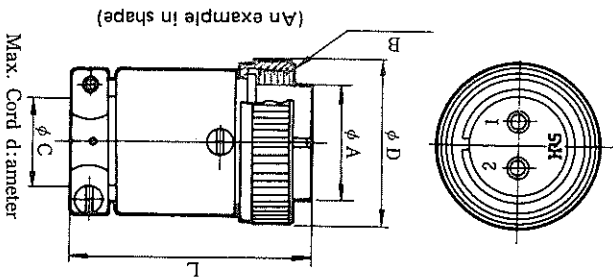


**RM ( ) T Connectors**

**(Thread coupling)**

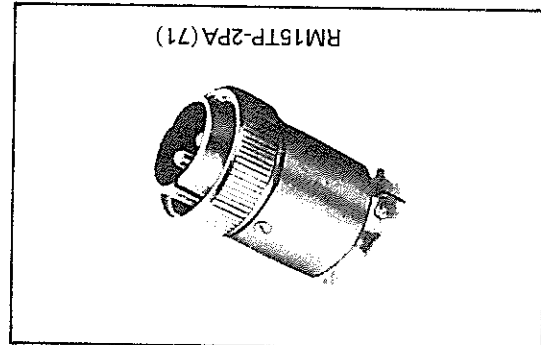
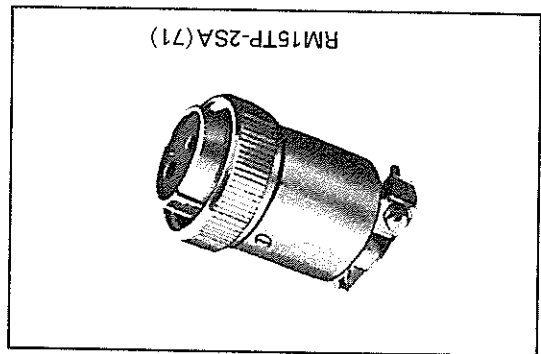
**Plug**

The RM [ ] T connectors have a screw coupling locking mechanism. Four models of the connectors with shell sizes of 15, 21, 24, and 31 have this locking mechanism. A connector of shell size 15 uses threads of 1 mm pitch. Connectors of shell size 21 and larger use trapezoidal threads for quick operation.

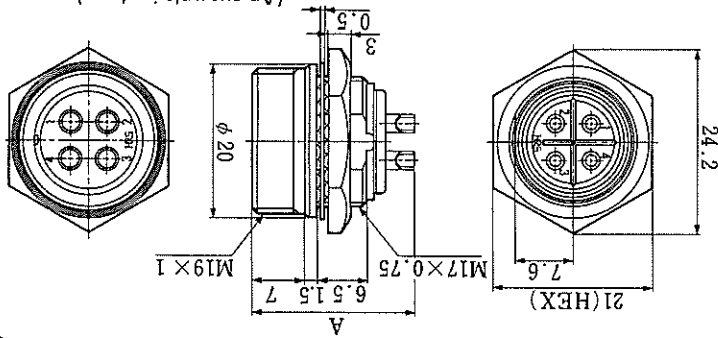


HRS No.	Part No.	No of pins	phi A	B	phi C	phi D	L	RoHS
109-0845-0-71	RM15TP-2SA (71)	2	15.2	M19x1	11.5	21.5	34	
109-0898-7-71	RM15TP-2PA (71)	2	15.2	M19x1	11.5	21.5	34	
109-0846-3-71	RM15TP-4SA (71)	4	15.2	M19x1	11.5	21.5	34	
109-0899-0-71	RM15TP-4PA (71)	4	15.2	M19x1	11.5	21.5	34	
109-0053-2-71	RM15TP-8S (71)	8	15.2	M19x1	11.5	21.5	34	
109-0856-7-71	RM15TP-8PH (71)	8	15.2	M19x1	11.5	21.5	34	
109-0055-8-71	RM15TP-10S (71)	10	15.2	M19x1	11.5	21.5	34	
109-0857-0-71	RM15TP-10PH (71)	10	15.2	M19x1	11.5	21.5	34	
109-0321-0-71	RM21TP-15S (71)	15	21	TM25x2	15	28	37	
109-0323-5-71	RM21TP-15P (71)	15	21	TM25x2	15	28	37	
109-0322-2-71	RM21TP-20S (71)	20	21	TM25x2	15	28	37	
109-0324-8-71	RM21TP-20P (71)	20	21	TM25x2	15	28	37	
109-0481-6-71	RM24TP-31S (71)	31	24.3	TM29x2	19	32	41	
109-0482-9-71	RM24TP-31P (71)	31	24.3	TM29x2	19	32	41	
109-0361-4-71	RM31TP-40S (71)	40	30.8	TM35x2	26	40	47	
109-0363-0-71	RM31TP-40P (71)	40	30.8	TM35x2	26	40	47	
109-0362-7-71	RM31TP-55S (71)	55	30.8	TM35x2	26	40	47	
109-0364-2-71	RM31TP-55P (71)	55	30.8	TM35x2	26	40	47	

Remark: TM25X2 is shown trapezoidal thread of 30°.

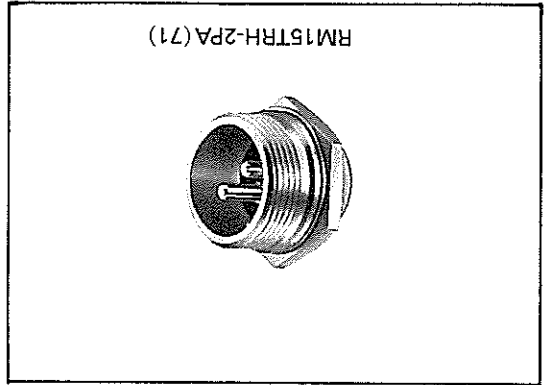


**Receptacle (Jam Nut to be fastened)**

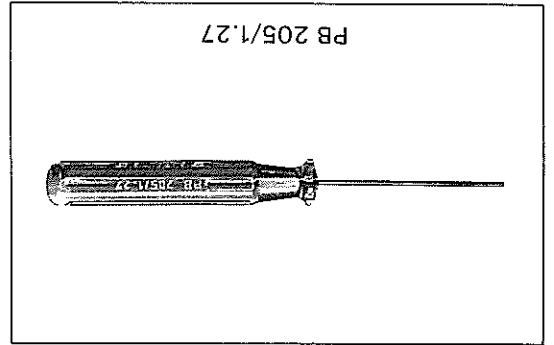


HRS No.	Part No.	No of pins	phi A	B	phi C	phi D	L	RoHS
109-0886-8-71	RM15TRH-2PA (71)	2	21.7	M19x1	11.5	21.5	34	
109-0847-6-71	RM15TRH-2SA (71)	2	21.7	M19x1	11.5	21.5	34	
109-0887-0-71	RM15TRH-4PA (71)	4	21.7	M19x1	11.5	21.5	34	
109-0848-9-71	RM15TRH-4SA (71)	4	21.7	M19x1	11.5	21.5	34	
109-0858-2-71	RM15TRH-8PH (71)	8	20.6	M19x1	11.5	21.5	34	
109-0868-6-71	RM15TRH-8S (71)	8	20.6	M19x1	11.5	21.5	34	
109-0859-5-71	RM15TRH-10PH (71)	10	20.6	M19x1	11.5	21.5	34	
109-0869-9-71	RM15TRH-10S (71)	10	20.6	M19x1	11.5	21.5	34	

Remark: For mounting holes, see page 60.



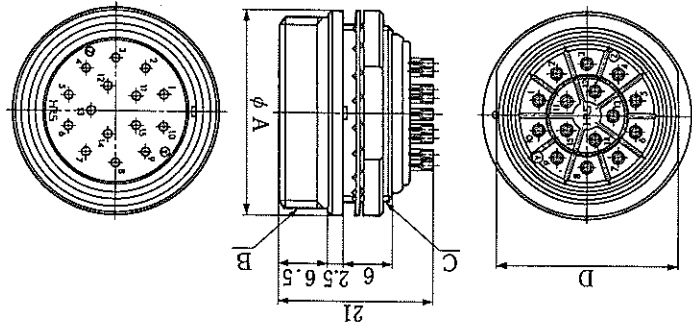
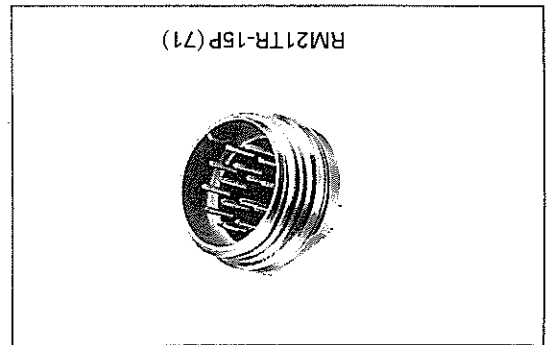
Tool



Hexagon Wrench Screwdriver

HRS No.	Part No.	Remark
150-0066-3	PB205/1.27	

Receptacle



(An example in shape)

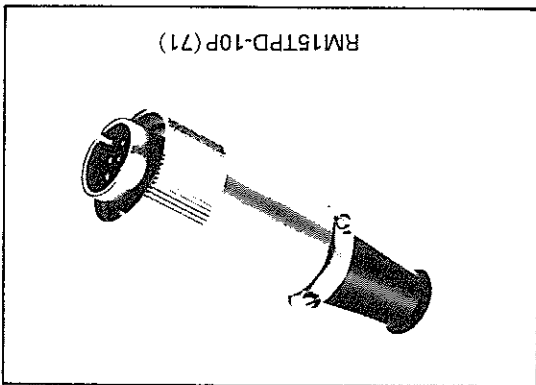
HRS No.	Part No.	No of pins	$\phi A$	B	C	D	RoHS
109-0325-0-71	RM21TR-15P (71)	15	27	TM25x2	M22x0.75	23.5	
109-0327-6-71	RM21TR-15S (71)	15	27	TM25x2	M22x0.75	23.5	
109-0326-3-71	RM21TR-20P (71)	20	27	TM25x2	M22x0.75	23.5	
109-0328-9-71	RM21TR-20S (71)	20	27	TM25x2	M22x0.75	23.5	
109-0483-1-71	RM24TR-31P (71)	31	31	TM29x2	M26x0.75	28	
109-0484-4-71	RM24TR-31S (71)	31	31	TM29x2	M26x0.75	28	
109-0365-5-71	RM31TR-40P (71)	40	37	TM35x2	M32x0.75	34	
109-0367-0-71	RM31TR-40S (71)	40	37	TM35x2	M32x0.75	34	
109-0366-8-71	RM31TR-55P (71)	55	37	TM35x2	M32x0.75	34	
109-0368-3-71	RM31TR-55S (71)	55	37	TM35x2	M32x0.75	34	

Remarks: 1. TM25X2 is shown trapezoidal thread of 30°.  
 2. For mounting holes, see page 60.

## RM15T(D Type) connectors

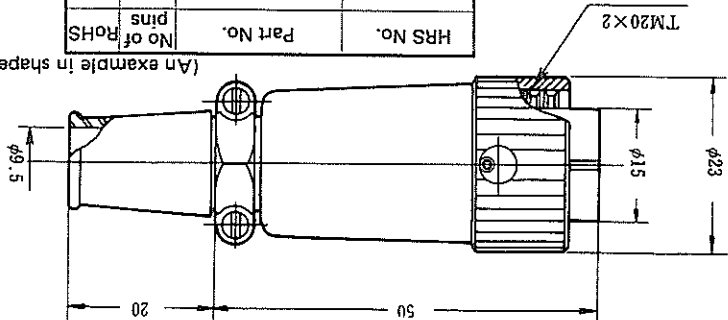
The RM15T (model D) connectors are designed for high grade of commercial applications such as VTR. These connectors boast a highly refined design. Since the model D uses locking threads of 30° trapezoidal threads, it is incompatible with the RM15T connectors.

### Plug

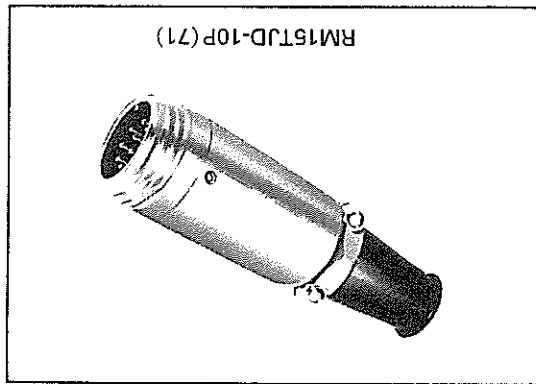


(Solder Type)

HRS No.	Part No.	No of pins	(An example in shape)
109-0686-9-71	RM15TPD-10S (71)	10	○
109-0601-6-71	RM15TPD-10P (71)	10	
109-0660-5-71	RM15TPD-12P (71)	12	
109-0661-8-71	RM15TPD-12S (71)	12	

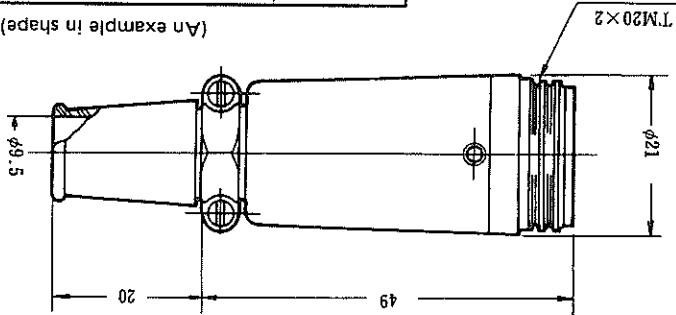


### Jack

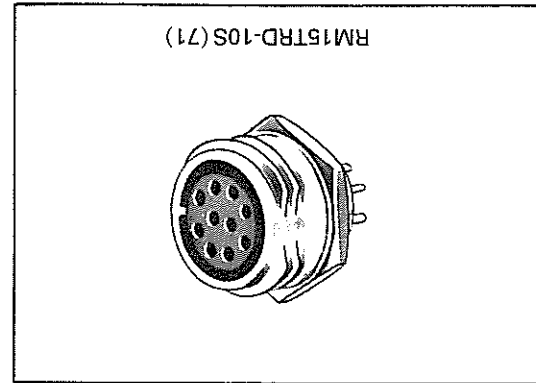


(Solder Type)

HRS No.	Part No.	No of pins	(An example in shape)
109-0706-4-71	RM15TJD-10P (71)	10	○
109-0603-1-71	RM15TJD-10S (71)	10	
109-0715-5-71	RM15TJD-12P (71)	12	
109-0665-9-71	RM15TJD-12S (71)	12	

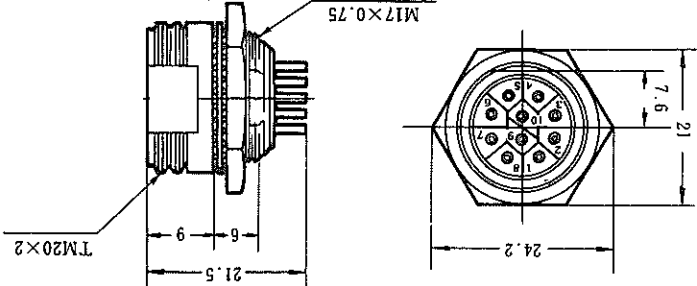


### Receptacle



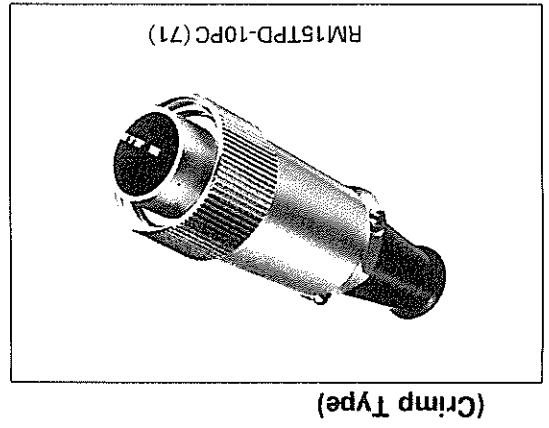
(Solder Type)

HRS No.	Part No.	No of pins	(An example in shape)
109-0687-1-71	RM15TRD-10P (71)	10	○
109-0602-9-71	RM15TRD-10S (71)	10	
109-0662-0-71	RM15TRD-12P (71)	12	
109-0663-3-71	RM15TRD-12S (71)	12	



Remark: For mounting holes, see page 60.

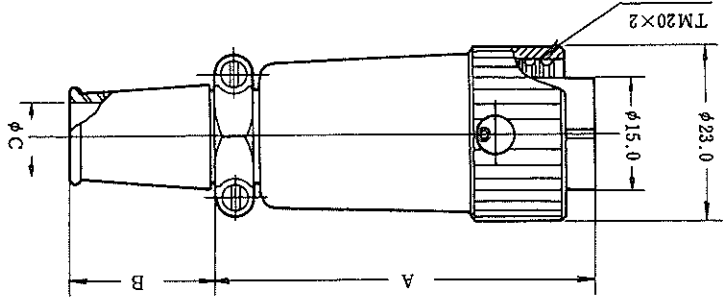
Plug



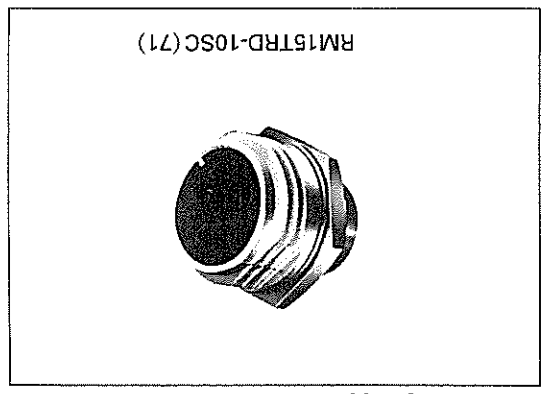
(Crimp Type)

HRS No.	Part No.	No of pins	A	B	φC	RoHS
109-0677-8-71	RM15TPD-10PC (71)	10	50	20	9.5	○
109-0712-7-71	RM15TPN-10PC (71)	10	40	15	8	

(An example in shape)



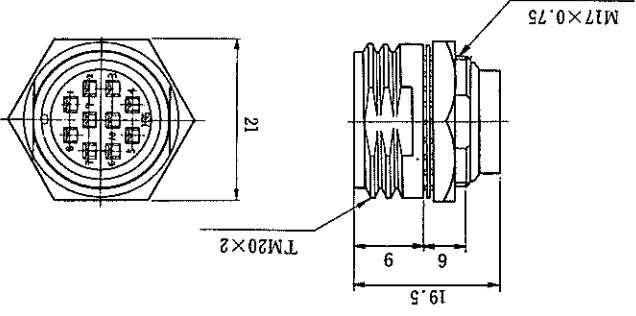
Receptacle



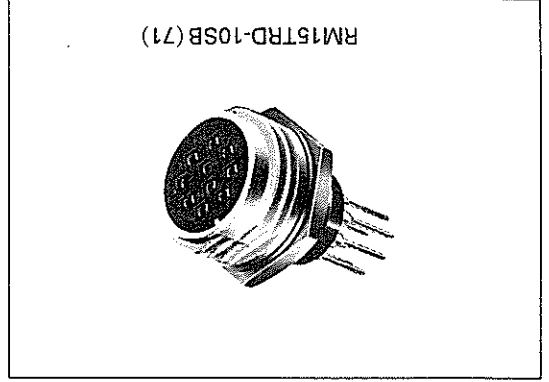
(Crimp Type)

HRS No.	Part No.	No of pins	RoHS
109-0676-5-71	RM15TRD-10SC (71)	10	○

Remark: For mounting holes, see page 60.



Receptacle

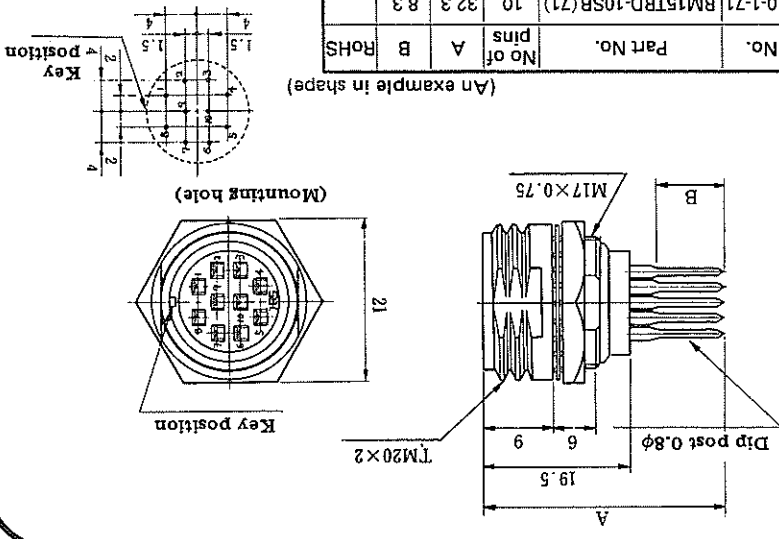


(Dip Type)

HRS No.	Part No.	No of pins	A	B	RoHS
109-0710-1-71	RM15TRD-10SB (71)	10	32.3	8.3	○
109-0722-0-71	RM15TRD-10SD (71)	10	27.8	3.8	

(An example in shape)

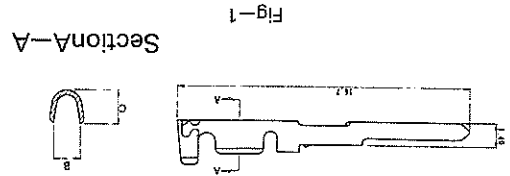
Remark: For mounting holes, see page 60.



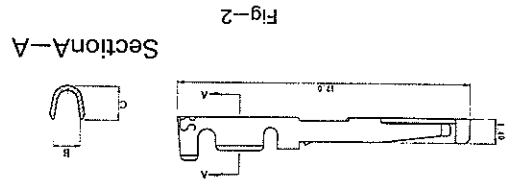


## ■ Contact

### Pin contact



### Socket contact



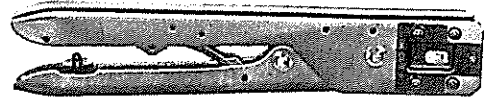
Note: Loose-piece pins are available in pack.  
Each pack contains 100 pieces.  
Reel pins are available, one reel contains 8,000 pieces.

Type	HRS No.	Part No.	B	C	Applicable wire	Rohs
Loose contact	109-0668-7	RM-PC-112	1.6	2.0	AWG#20~#24	○
		RM-PC-122	1.45	1.5	AWG#24~#28	
		RM-PC-9	1.6	2.0	AWG#20~#24	
		RM-PC-222	1.45	1.5	AWG#24~#28	
Chain contact	109-0670-9	RM-PC-212	1.6	2.0	AWG#20~#24	○
		RM-SC-212	1.6	2.0	AWG#20~#24	
		RM-SC-122	1.45	1.5	AWG#24~#28	
		RM-SC-222	1.45	1.5	AWG#24~#28	

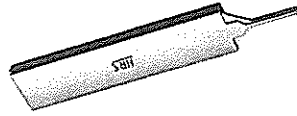
Type	HRS No.	Part No.	B	C	Applicable wire	Rohs
Loose contact	109-0669-0	RM-SC-112	1.6	2.0	AWG#20~#24	○
		RM-SC-122	1.45	1.5	AWG#24~#28	
		RM-SC-212	1.6	2.0	AWG#20~#24	
		RM-SC-222	1.45	1.5	AWG#24~#28	
Chain contact	109-0675-2	RM-SC-212	1.6	2.0	AWG#20~#24	○
		RM-SC-222	1.45	1.5	AWG#24~#28	
		RM-PC-212	1.6	2.0	AWG#20~#24	
		RM-PC-222	1.45	1.5	AWG#24~#28	

## ◆ Tools

### Hand Crimp Tool

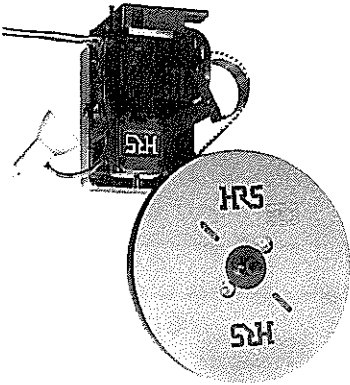


### Extraction Tool



Type	Item	HRS No.	Part No.	Applicable terminal	
Manual	Manual crimping tool	150-0006-1	RM-TC-11	RM-PC-112	
		150-0007-4	RM-TC-12	RM-PC-122	
		901-0005-4	CM-105	—	
	Automatic	Automatic crimping machine body	901-2017-4	AP105-RM-1	RM-PC-212
			901-2018-7	AP105-RM-2	RM-PC-222
			150-0008-7	RM-TP	—

### Auto Crimp Tool CM-105



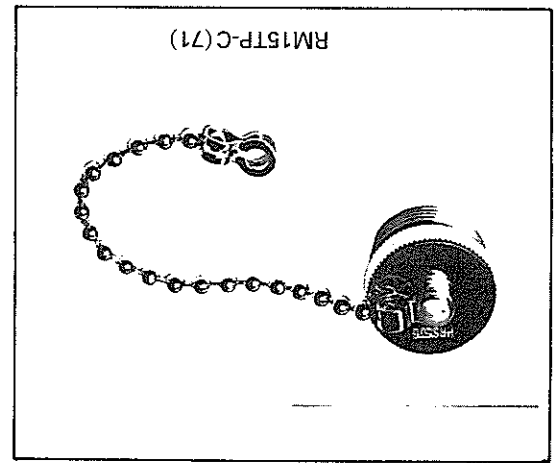
**RM Series accessories**

All non-RohS products have been discontinued, or will be discontinued soon. Please request the Engineering Drawing for the most current and accurate design information. The product information in this catalog is for reference only. Please request the Engineering Drawing for the most current and accurate design information. Please check the product status on the Hirsch website RohS search at [www.hirsch-connectors.com](http://www.hirsch-connectors.com), or contact your Hirsch sales representative.

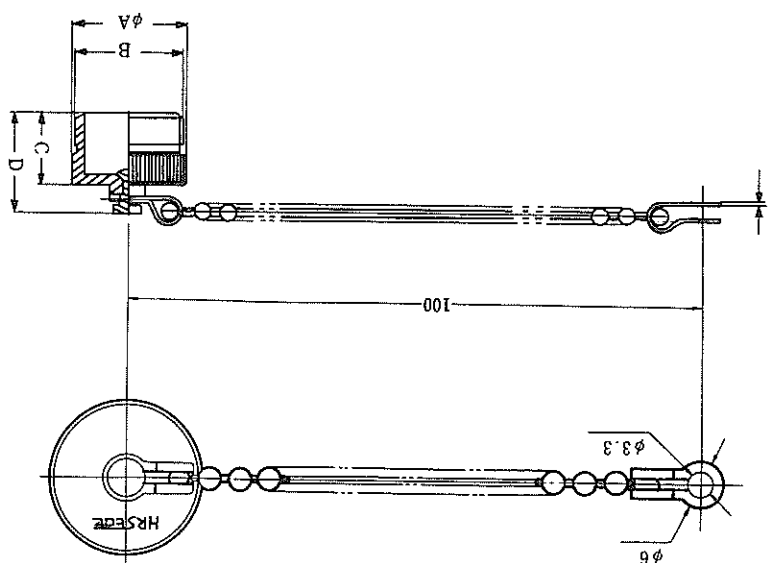
The RM series have accessories such as a cap, cord busing, and square flange designed for different applications.

**Caps**

The cap protects the mating surface and threads of the connector and prevents dust and water from entering. The cap is designed for both the standards and waterproof connector.

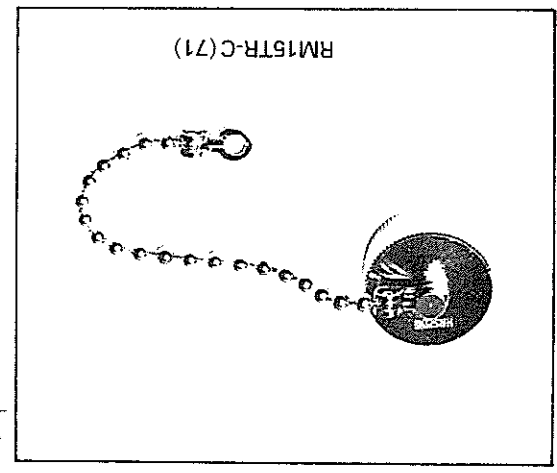


Plug cap

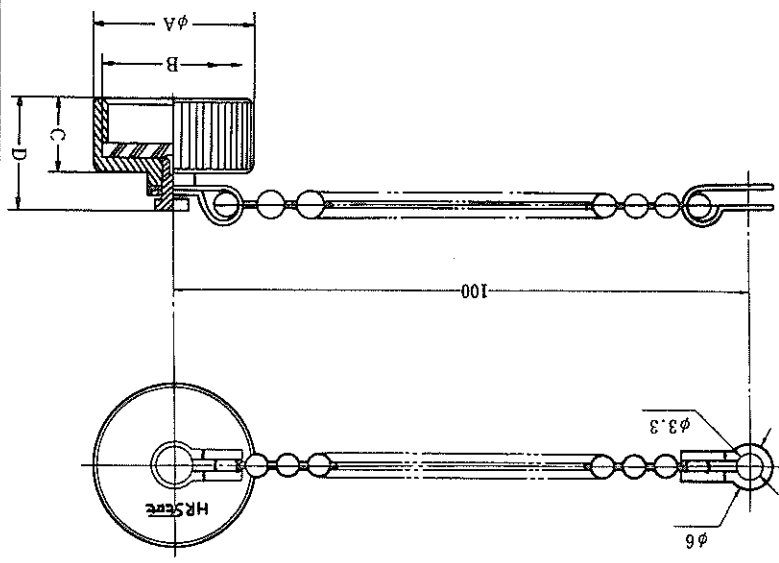


HRS No.	Part No.	φA	B	C	D	RohS
109-0079-6-71	RM15TP-C(71)	21.5	M19x1	12	16.5	○
109-0353-6-71	RM21TP-C(71)	28	TM25x2	17.5	22	○

(An example in shape)



Receptacle cap



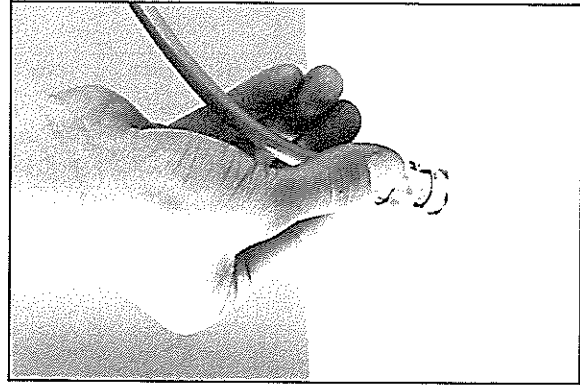
HRS No.	Part No.	φA	B	C	D	RohS
109-0080-5-71	RM15TR-C(71)	21.5	M19x1	9	13.5	○
109-0354-9-71	RM21TR-C(71)	28	TM25x2	8	12.5	○
109-0492-2-71	RM24TR-C(71)	32	TM29x2	8.5	13	○
109-0394-3-71	RM31TR-C(71)	38	TM35x2	8.5	13	○

(An example in shape)

### How to use the RM15Q Connectors

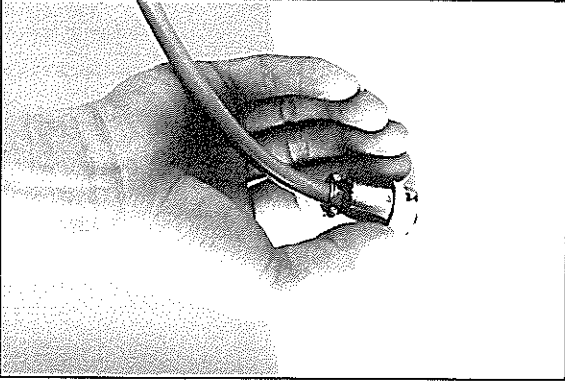
(Quick insertion and extraction system)

1. Insertion



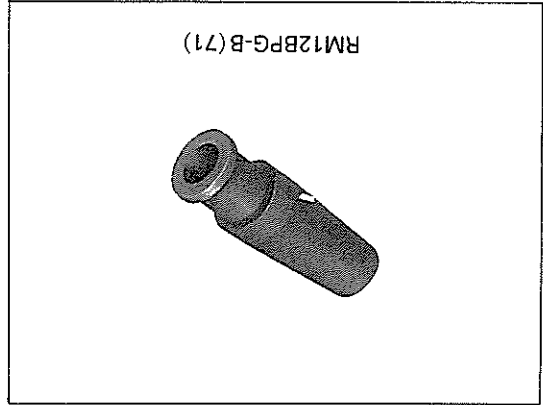
Holding the plug body, match the key with the key-way on the receptacle and push straight in. Turn plug 30° to the right, coupling is completed.

2. Extraction



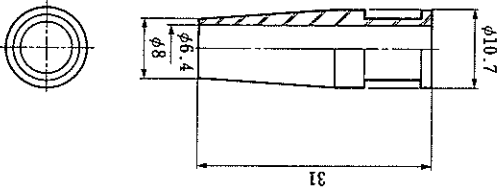
Holding plug sleeve, twist it 30 degrees to the left. Then, pull it straight for easy releasing.

### Cord Bushing

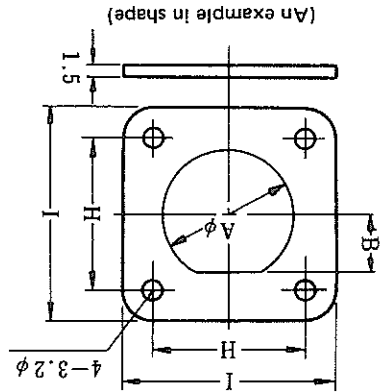


RM12BPG-B(71)

HRS No.	Part No.	Remark	RoHS
109-0776-0-71	RM12BPG-B(71)		○



### Square Flange



(An example in shape)

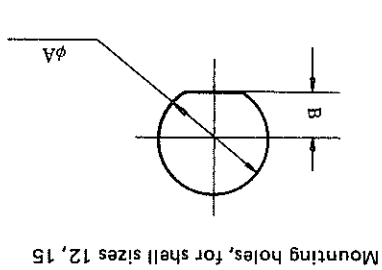
HRS No.	Part No.	φA	B	H	I	RoHS
109-0154-0-71	RM12BR-F(71)	14.1	6	18	26	○
109-0319-8-71	RM15TR-F(71)	17.1	7.6	20.6	28	○

Square Flange is used with Bayonet Lock type receptacle.

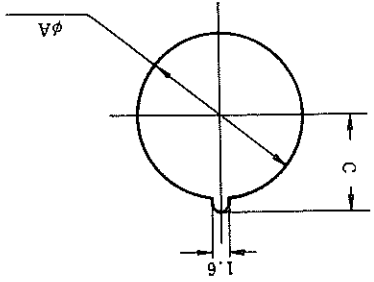
**Dimensions of mounting holes**

For your reference, the dimensions of receptacle mounting holes are given below for different shell sizes for the nut-tightening type and square-flange type. In the case of the nut-tightening type, the dimensions of a

**Nut tightening type**

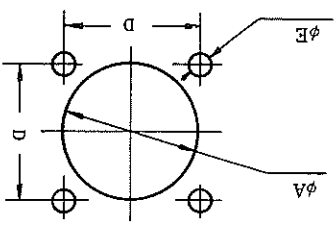


Mounting holes, for shell sizes 12, 15



Mounting holes, for shell sizes 21, 24, 31

**Square flange type**




standard connector are the same as those of a waterproof connector. The dimensions of square flanges are those when the flanges are installed on the front surface of a panel. For details, contact our sales or engineering department.



**RM Series contact arrangement**

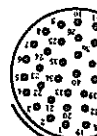

Shell size	12	2	3	4	5	6	7
Contact arrangement number	12	2	3	4	5	6	7
Withstanding voltage	AC1800V for a minute	AC1500V for a minute	AC1500V for a minute	AC1500V for a minute	AC1000V for a minute	AC1000V for a minute	AC1000V for a minute
Current rating	5A	5A	5A	5A	5A	5A	5A
Insulation resistance	1000MΩ or more	1000MΩ or more	1000MΩ or more	1000MΩ or more	1000MΩ or more	1000MΩ or more	1000MΩ or more
Contact resistance	4mΩ or less	4mΩ or less	4mΩ or less	4mΩ or less	4mΩ or less	4mΩ or less	4mΩ or less
Inside diameter of solder pot	φ1.1	φ1.1	φ1.1	φ1.1	φ1.1	φ1.1	φ1.1

Remark: Use a 0.5 ~ 2 mm thickness panel for all shell sizes.

## Contact arrangement

15	Shell size		2	AC1800V for a minute	10A	1000MΩ or more	2mΩ or less	φ1.7	Inside diameter of solder pot
	Contact arrangement number		2	AC1800V for a minute	10A	1000MΩ or more	2mΩ or less	φ1.7	Inside diameter of solder pot
	Withstanding voltage		4	AC1500V for a minute	10A	1000MΩ or more	2mΩ or less	φ1.7	Inside diameter of solder pot
	Current rating		8	AC1500V for a minute	5A	1000MΩ or more	4mΩ or less	φ1.1	Inside diameter of solder pot
	Insulation resistance		10	AC1000V for a minute	5A	1000MΩ or more	4mΩ or less	φ1.1	Inside diameter of solder pot

21	Shell size		15	AC1500V for a minute	5A	1000MΩ or more	4mΩ or less	φ1.1	Inside diameter of solder pot
	Contact arrangement number		15	AC1500V for a minute	5A	1000MΩ or more	4mΩ or less	φ1.1	Inside diameter of solder pot
24	Shell size		20	AC1000V for a minute	5A	1000MΩ or more	4mΩ or less	φ1.1	Inside diameter of solder pot
	Contact arrangement number		20	AC1000V for a minute	5A	1000MΩ or more	4mΩ or less	φ1.1	Inside diameter of solder pot

31	Shell size		40	AC1800V for a minute	5A	1000MΩ or more	4mΩ or less	φ1.1	Inside diameter of solder pot
	Contact arrangement number		40	AC1800V for a minute	5A	1000MΩ or more	4mΩ or less	φ1.1	Inside diameter of solder pot
31	Shell size		55	AC1500V for a minute	5A	1000MΩ or more	4mΩ or less	φ1.1	Inside diameter of solder pot
	Contact arrangement number		55	AC1500V for a minute	5A	1000MΩ or more	4mΩ or less	φ1.1	Inside diameter of solder pot

- Remarks:
- Figures show contact arrangements viewed from the fitting side of socket inserts (connecting side of pin inserts).
  - Withstanding voltage is shown in test voltage. In ordinary case, use connectors at about 1/3 of test voltage.
  - Insulator resistance is a value measured at DC 500V.
  - Contact resistance is a value measured at DC 1A.

## X-ON Electronics

Largest Supplier of Electrical and Electronic Components

*Click to view similar products for [Standard Circular Connector](#) category:*

*Click to view products by [Hirose](#) manufacturer:*

Other Similar products are found below :

[C015](#) [10F006](#) [001](#) [1](#) [5M2530B10P](#) [600259N006](#) [600273N007](#) [600432N009](#) [6280-2PG-519](#) [6280-3PG-311](#) [6280-3SG-311](#) [6280-7SG-3DC](#)  
[6280-7SG-522](#) [6282-5PG-311](#) [6282-6PG-519](#) [6282-8SG-311](#) [6283-11](#) [6283-15](#) [6290](#) [6382-2PG-311](#) [6382-2PG-3DC](#) [6382-2SG-321](#) [6382-2SG-3DC](#) [6382-4SG-516](#) [67-03E20-37P](#) [680-SMG](#) [681-PMG](#) [CXS3102A14S2P](#) [CXS3102A181S](#) [CXS3106A14S6S](#) [MB12P-1](#) [MB12R-6](#)  
[7251-2PG-300](#) [7251-2SG-300](#) [7251-4PG-300](#) [7251-4SG-300](#) [7251-5PG-300](#) [7251-5SG-300](#) [7251-6SG-300](#) [7251-7PG-300](#) [7251-8PG-300](#)  
[7271-6SG-300](#) [7282-3PG-300-CH3](#) [73000005663](#) [75-190216-08S](#) [75-190218-10P](#) [75-474118-10P](#) [75-474618-01S](#) [75-474620-07P](#) [799539-000](#) [MI8-SE](#) [80-190222-18P](#) [805-005-07NF11-19PC](#)