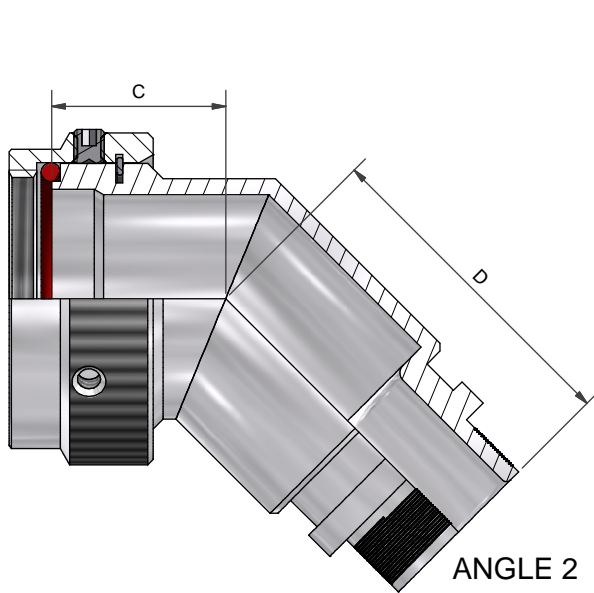
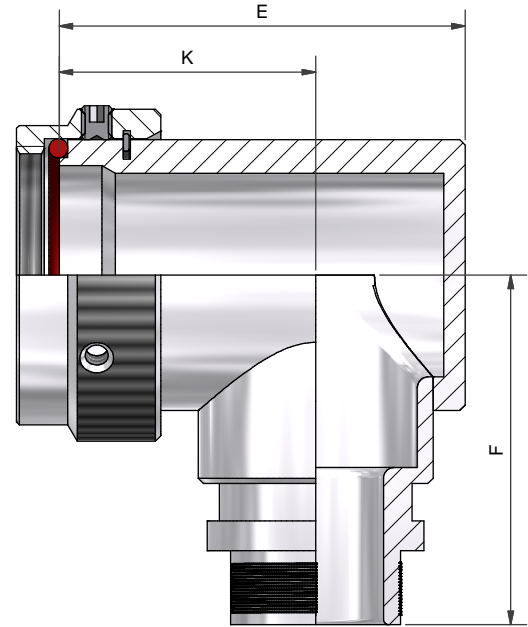


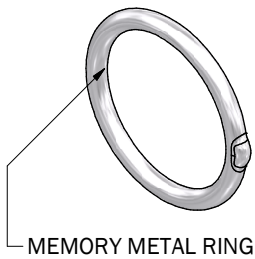
ANGLE 1



ANGLE 2



ANGLE 3



MEMORY METAL RING

<b>DRAWN</b>	K.WINCZURA	<b>DATE</b>	06/01/2014	3RD ANGLE PROJECTION NOT TO SCALE	<b>POLAMCO LTD</b> WESTON LOCK LOWER BRISTOL ROAD BATH BA2 1EP	PAGE 1	UNLESS OTHERWISE SPECIFIED ALL DIMENSIONS IN MILLIMETRES		
<b>SALES APPR</b>									
<b>DESIGN APPR</b>	K.SHEPPARD	<b>DATE</b>	06/01/2014	THIS DRAWING IS COPYRIGHT AND THE PROPERTY OF POLAMCO LTD. IT MUST NOT BE COPIED, USED FOR MANUFACTURE OR OTHERWISE DISCLOSED WITHOUT PRIOR WRITTEN CONSENT OF THE COMPANY.	<b>ASSY USED ON: MIL-DTL-26482 SERIES I</b>	MATERIAL			
<b>QUAL APPR</b>									
<b>ISSUE</b>	DCR 3969					TITLE: <b>MEMORY RING BACKSHELL</b>		NCAGE CODE U5792	
<b>2</b>						PART NUMBER: <b>60K SERIES</b>		DRAWING NO: P11082	
<b>WEIGHT</b>	GENERAL TOL LINEAR +/-0.1MM ANGULAR +/- 1°								

TABLE 1

SHELL SIZE	A THREAD	ØB MAX	ØT MIN	C MAX	D MAX	E MAX	F MAX	K ±0,5
08	7/16-28 UNEF	18,1	7,0	14,1	26,8	25,2	26,4	17,5
10	9/16-24 UNEF	21,6	9,7	14,9	27,6	28,2	28,2	18,6
12	11/16-24 UNEF	24,7	13,4	15,3	28,0	31,7	29,7	20,5
14	13/16-20 UNEF	27,7	15,8	16,2	29,0	35,2	31,2	22,5
16	15/16-20 UNEF	31,1	18,9	16,5	29,8	38,2	32,9	24,0
18	1 1/16-18 UNEF	34,4	21,3	17,3	30,6	41,7	34,5	26,0
20	1 3/16-18 UNEF	37,6	24,5	18,2	30,9	45,2	36,1	28,0
22	1 5/16-18 UNEF	40,6	27,7	18,5	31,2	48,2	37,6	29,5
24	1 7/16-18 UNEF	43,6	30,9	19,4	32,1	51,2	39,1	31,0

TABLE 2

ENTRY SIZE	ØG MIN	ØH MAX	ØM MAX
04	6,3	14,3	9,5
05	7,9	15,8	11,1
06	9,5	17,4	12,7
07	11,1	19,0	14,3
08	12,7	20,6	15,9
10	15,8	23,8	19,0
12	19,0	27,0	22,2
14	22,2	30,1	25,4
16	25,4	33,3	28,6
18	28,5	36,5	31,8
20	31,7	39,7	34,9
22	34,9	42,8	38,1
24	38,1	46,0	41,3

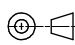

TABLE 3

CODE	FINISH
C	ELECTROLESS NICKEL
B	CADMIUM OLIVE DRAB OVER ELECTROLESS NICKEL
ZB	ZINC COBALT OLIVE DRAB OVER ELECTROLESS NICKEL
ZN	ZINC NICKEL BLACK PASSIVATE OVER ELECTROLESS NICKEL

LIST NOT EXHAUSTIVE, SEE PLATING TABLE FOR OTHER OPTIONS

60K1-16-08-1-C-A

SERIES \_\_\_\_\_  
CONNECTOR INTERFACE \_\_\_\_\_  
ANGLE \_\_\_\_\_  
SHELL SIZE (TABLE 1) \_\_\_\_\_  
ENTRY SIZE (TABLE 2) \_\_\_\_\_  
MATERIAL \_\_\_\_\_  
ALUMINIUM ALLOY \_\_\_\_\_  
FINISH (TABLE 3) \_\_\_\_\_  
RING OPTION \_\_\_\_\_  
A - RING TO SUIT SINGLE BRAID  
B - RING TO SUIT DOUBLE BRAID  
OMIT IF NO RING REQUIRED

<b>DRAWN</b> K.WINCZURA	<b>DATE</b> 06/01/2014	 3RD ANGLE PROJECTION NOT TO SCALE	 <b>POLAMCO LTD</b>	WESTON LOCK LOWER BRISTOL ROAD BATH BA2 1EP	<b>PAGE 2</b>	UNLESS OTHERWISE SPECIFIED ALL DIMENSIONS IN MILLIMETRES
<b>SALES APPR</b>						
<b>DESIGN APPR</b> K.SHEPPARD	<b>DATE</b> 06/01/2014	THIS DRAWING IS COPYRIGHT AND THE PROPERTY OF POLAMCO LTD IT MUST NOT BE COPIED, USED FOR MANUFACTURE OR OTHERWISE DISCLOSED WITHOUT PRIOR WRITTEN CONSENT OF THE COMPANY.	<b>ASSY USED ON: MIL-DTL-26482 SERIES I</b>			<b>MATERIAL</b>
<b>QUAL APPR</b>			<b>TITLE: MEMORY RING BACKSHELL</b>			
<b>ISSUE 2</b>	<b>DCR 3969</b>		<b>PART NUMBER: 60K SERIES</b>			<b>NCAGE CODE U5792</b>
<b>WEIGHT</b>	GENERAL TOL LINEAR +/-0.1MM ANGULAR +/- 1°				<b>DRAWING NO: P11082</b>	

## X-ON Electronics

Largest Supplier of Electrical and Electronic Components

*Click to view similar products for [Circular MIL Spec Backshells](#) category:*

*Click to view products by [TE Connectivity](#) manufacturer:*

Other Similar products are found below :

[5M2919-3DW](#) [5M2920-3CW](#) [5M2953-1HW](#) [60-036152-022](#) [610HS012M15](#) [M28840/504WA](#) [M28840/805WB](#) [M28840/809WA](#)  
[M28840/815WA](#) [M28840/816WA](#) [627AS017M14](#) [62GB5851608S](#) [655HS002NF11](#) [CW3703-000](#) [CW3899-000](#) [M85049/10-134S](#)  
[M85049/10-17S](#) [M85049/10-33S](#) [M85049/10-94W](#) [M85049/11-09W](#) [M85049/11-28N](#) [M85049/11-37N](#) [M85049/11-53N](#) [M85049/11-63N](#)  
[M85049/118-20W](#) [M85049/124-23W](#) [M85049/124S09W](#) [M85049/126S23W](#) [M850491712W02](#) [M85049/1720N04B](#) [M85049/1817N06](#)  
[M850491819W03](#) [M85049/1821W05C](#) [M85049/1825W06C](#) [M85049/1919N05](#) [M85049/1919W04](#) [M850491919W07](#) [M85049/23-59W](#)  
[M85049/23-74W](#) [M8504924-5W](#) [M85049/24-71N](#) [M85049/25-47N](#) [M85049/25-94W](#) [M85049/27S12N](#) [M8504938-13S](#) [M85049/38-19S](#)  
[M85049/39-11S](#) [M85049/39-17S](#) [M85049/39-9S](#) [M85049/3W4A2](#)