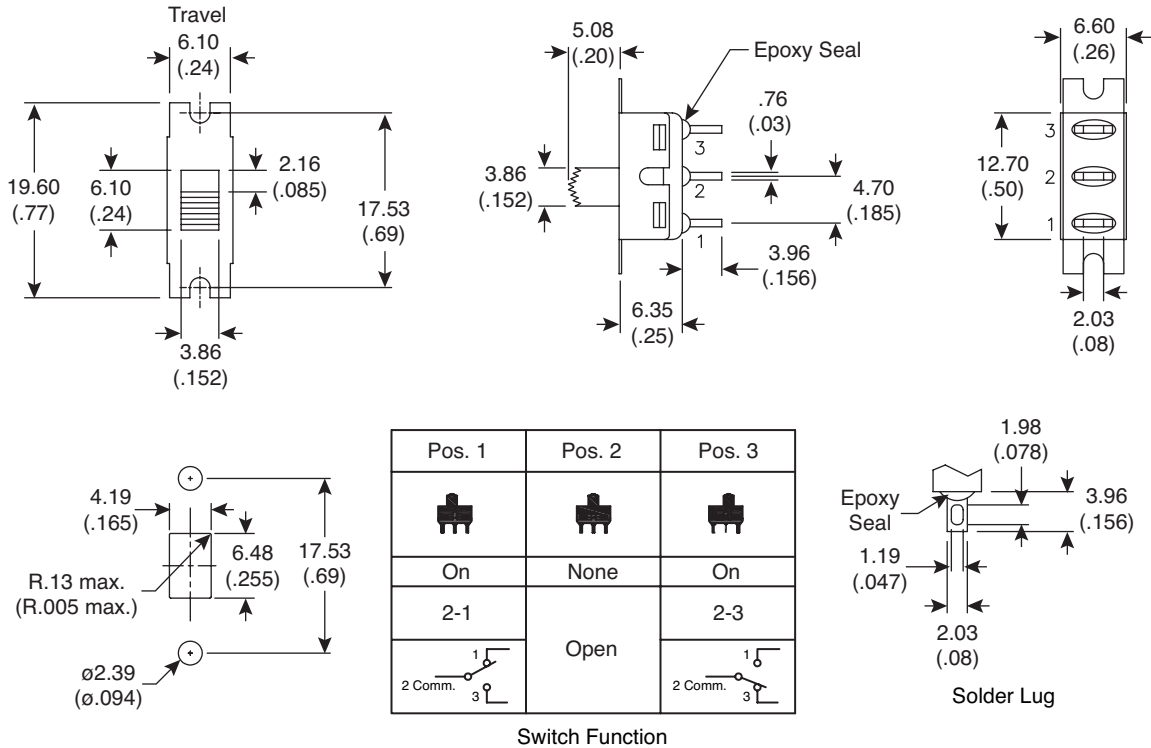


Dimensions: mm (In.)



Electrical Specifications:

- Rating: 2A/ 250VAC, 5A/120VAC
- Contact Resistance: 10mΩ max. initial @ 2-4 VDC 100mA
- Insulation Resistance: 1000MΩ min.
- Dielectric Strength: 1000 V RMS @ sea level

Mechanical Specifications:

- Operating Temperature: -30°C to 85°C
- Mechanical Life: 30,000 make-and-break cycles

Materials:

- Case: Dially phthalate (DAP)
- Actuator: Nylon, black std.
- Housing: Stainless
- Contact: Silver plated
- Terminals: Silver plated copper alloy

Note:

- RoHS Compliant

Slide Switch
103-5006-EV



X-ON Electronics

Authorized Distributor

Click to view similar products for [Slide Switches](#) category:

[MHS22304](#) [46203MR](#) [49331L](#) [500RSP1S1M6RE](#) [TSPD11CGWW004](#) [16742-1](#) [AS23AB](#)
[500SSP1S1M7QEB](#) [1201M2S3AV2BE2](#) [SL-2211M1B2](#)