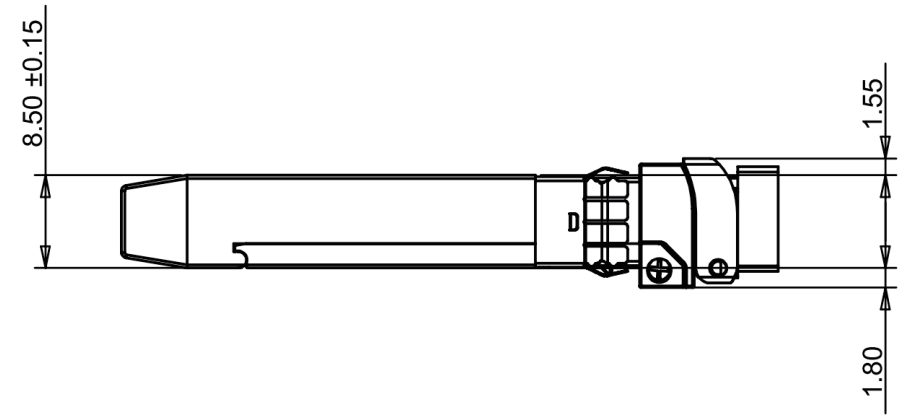


THE INFORMATION CONTAINED IN THIS DRAWING IS THE SOLE PROPERTY OF AMPHENOL CABLES ON DEMAND. ANY REPRODUCTION OR DISCLOSURE, TO THIRD PARTIES, IN PART OR WHOLE, WITHOUT THE EXPRESS WRITTEN PERMISSION OF AMPHENOL CABLES ON DEMAND IS PROHIBITED.

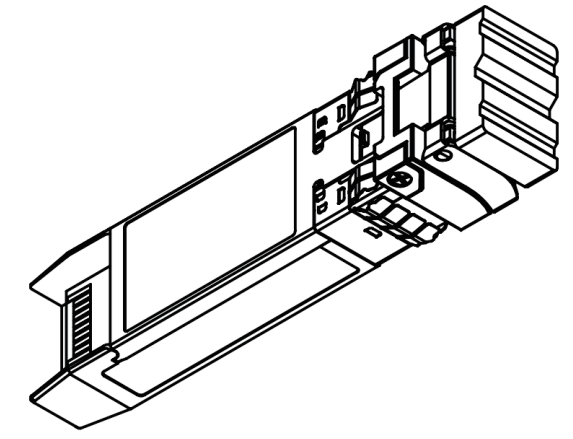
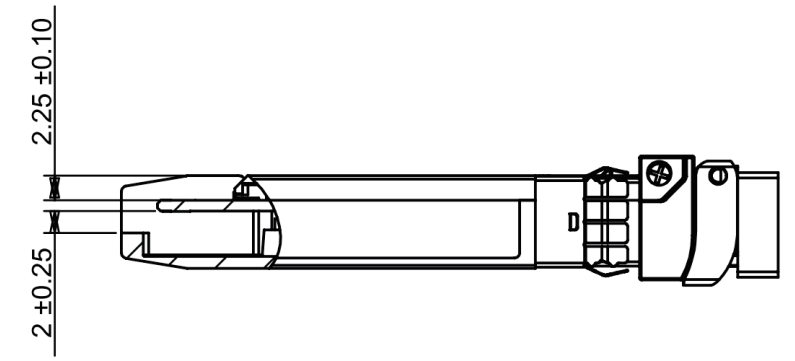
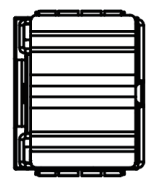
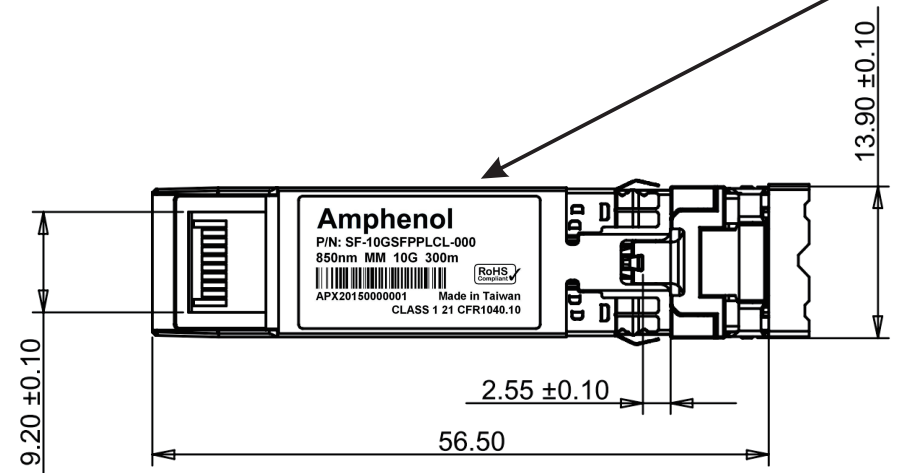
REVISIONS			
REV.	DESCRIPTION	DATE	APPROVED
A	NEW RELEASE	05/04/15	



Amphenol
 P/N: SF-10GSFPPLCL-000
 850nm MM 10G 300m

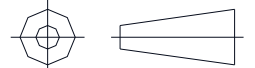
 APX2015000001 Made in Taiwan
 CLASS 1 21 CFR1040.10


SERIAL NO. BREAKDOWN:
 APXWWYYXXXSSSS
 SERIAL NUMBER (EX: 0001, 0002, ETC.)
 LAST 3 DIGITS OF ACD P/N
 MFG YEAR
 MFG WEEK



NOTES: UNLESS OTHERWISE SPECIFIED

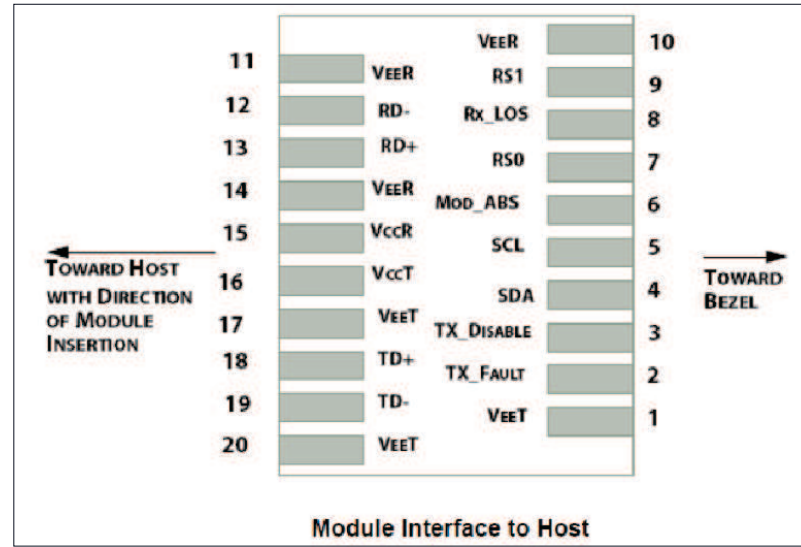


UNLESS OTHERWISE SPECIFIED DIMENSIONS ARE IN INCHES TOLERANCES ARE: DECIMALS .X ±.X .XX ±.XX .XXX ±.XXX ANGLES ±X°	EAR NO.	
	APPROVALS	DATE
	DRAWN LF	05/04/15
	CHECKED BA	05/04/15
THIRD ANGLE PROJECTION	RESP ENG	
	MFG ENG	

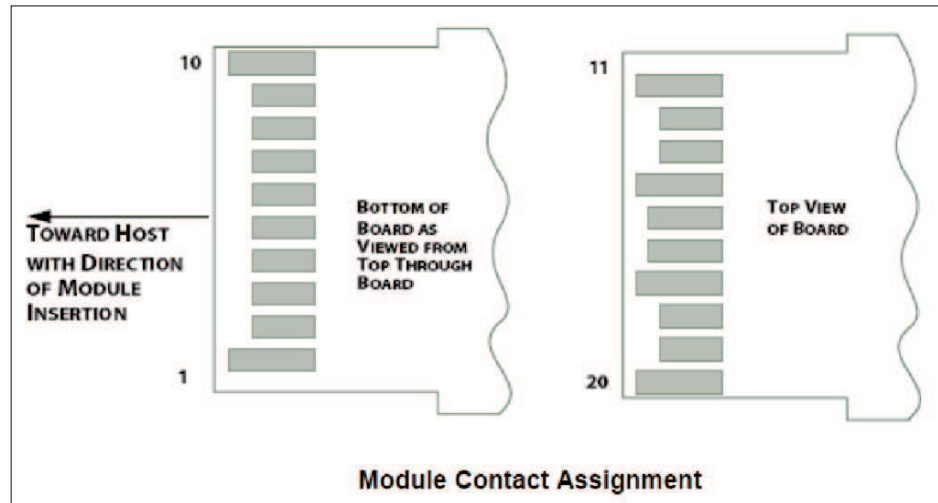
Amphenol Cables on Demand 20 VALLEY ST. ENDICOTT, NY 13760		
SFP+ MM OPTICAL MODULE		
SIZE A	DWG. NO. SF-10GSFPPLCL-000	REV. A0

THE INFORMATION CONTAINED IN THIS DRAWING IS THE SOLE PROPERTY OF AMPHENOL CABLES ON DEMAND. ANY REPRODUCTION OR DISCLOSURE, TO THIRD PARTIES, IN PART OR WHOLE, WITHOUT THE EXPRESS WRITTEN PERMISSION OF AMPHENOL CABLES ON DEMAND IS PROHIBITED.

REVISIONS			
REV.	DESCRIPTION	DATE	APPROVED
A	NEW RELEASE	05/04/15	



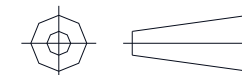
PIN	Logic	Symbol	Name / Description	Note
1		VeeT	Module Transmitter Ground	1
2	LVTTTL-O	TX_Fault	Module Transmitter Fault	
3	LVTTTL-I	TX_Dis	Transmitter Disable; Turns off transmitter laser output	
4	LVTTTL-I/O	SDA	2-Wire SerialInterface Data Line	2
5	LVTTTL-I	SCL	2-Wire SerialInterface Clock	2
6		MOD_DEF0	Module Definition, Grounded in the module	
7	LVTTTL-I	RS0	Not used	
8	LVTTTL-O	RX_LOS	Receiver Loss of Signal Indication Active High	
9	LVTTTL-I	RS1	Not used	
10		VeeR	Module Receiver Ground	1
11		VeeR	Module Receiver Ground	1
12	CML-O	RD-	Receiver Inverted Data Output	
13	CML-O	RD+	Receiver Data Output	
14		VeeR	Module Receiver Ground	1
15		VccR	Module Receiver 3.3 V Supply	
16		VccT	Module Receiver 3.3 V Supply	
17		VeeT	Module Transmitter Ground	1
18	CML-I	TD+	Transmitter Non-Inverted Data Input	
19	CML-I	TD-	Transmitter Inverted Data Input	
20		VeeT	Module Transmitter Ground	1



UNLESS OTHERWISE SPECIFIED DIMENSIONS ARE IN INCHES TOLERANCES ARE:

DECIMALS	ANGLES
.X ±.X	± X°
.XX ±.XX	
.XXX ±.XXX	

THIRD ANGLE PROJECTION



APPROVALS		DATE
DRAWN	LF	05/04/15
CHECKED	BA	05/04/15
RESP ENG		
MFG ENG		

Amphenol Cables on Demand

20 VALLEY ST. ENDICOTT, NY 13760

SFP+ MM OPTICAL MODULE

SIZE	DWG. NO.	REV.
A	SF-10GSFPPLCL-000	A0

NOTES: UNLESS OTHERWISE SPECIFIED

X-ON Electronics

Largest Supplier of Electrical and Electronic Components

Click to view similar products for [Fiber Optic Cable Assemblies](#) category:

Click to view products by [Amphenol](#) manufacturer:

Other Similar products are found below :

[7-21002-9](#) [760-1518](#) [FA04390-50-M-72-LC-N](#) [MLB 501 V RED](#) [MLB 501 V YELLOW](#) [8-21000-7](#) [8-21084-1](#) [FXE3-10BM15](#) [FXE3-10FM5](#) [FZB3-NM1](#) [1-3636-600-5208](#) [1-5018030-0](#) [ICD040GVP163D-07](#) [2901797](#) [1-6693182-0](#) [1754898-1](#) [F512D5-5F23Y](#) [F912B10-NM2](#) [FAP12WFDBDBDLCZ](#) [21055-6](#) [FXBSCSCE2LM002](#) [FXE3-10AM10](#) [FXE3-10AM20](#) [FXE3-10BM7](#) [FXE3-10FM15](#) [FXE3-10FM3](#) [FXE3-10FM4](#) [FXE3-10FM7](#) [FXE3-10GM3](#) [FZE10-10M6](#) [FZOPE10-10M5](#) [3000005](#) [3-21053-2](#) [MLB 200/1 V BLACK](#) [MLB 2001 V YELLOW](#) [MLB 501 V BLACK](#) [5492011-6](#) [106284-7000](#) [5492011-5](#) [5492011-8](#) [5492011-9](#) [CF-901201-007](#) [7-21000-4](#) [8-21007-5](#) [8-21084-0](#) [3-5106081-0](#) [106386-4447](#) [2-2064140-6](#) [F92ELLNSNSNM003](#) [2-2064140-3](#)