

spec ref	*	dr	De-Ming Lu	2015/05/05	projection	MM	size	A2	scale	3:1
tolerance std	ISO 406 ISO 1101	eng	De-Ming Lu	2017/02/22			ecn no	-	rel level	Released
TOLERANCES UNLESS OTHERWISE SPECIFIED		chr	Fancy Zhang	2017/02/22						
surface	ISO 1302	appr	Pei-Ming Zheng	2017/02/22	product family	PWRMAX	rel level	Released	cat. no.	-
linear	0.X ±0.5 0.XX ±0.25 0.XXX ±0.100	Amphenol FCi	title	2HP + 24S + 2HP	dwg no	10135064	rev	A	Product - Customer Drw	sheet 1 of 6
angular	0° ±2°									

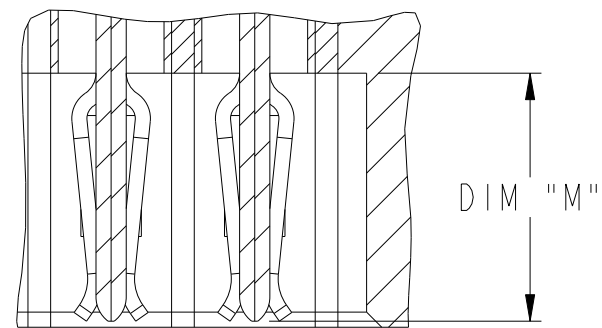
PDS: Rev :A

STATUS:Released

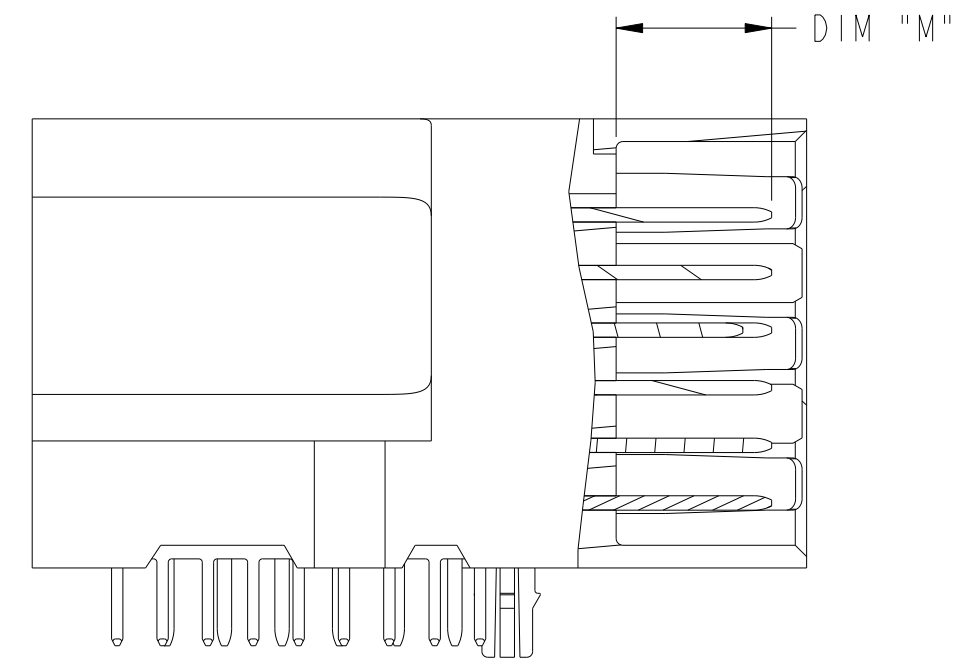
Printed: Feb 22, 2017

Amphenol  
FCi

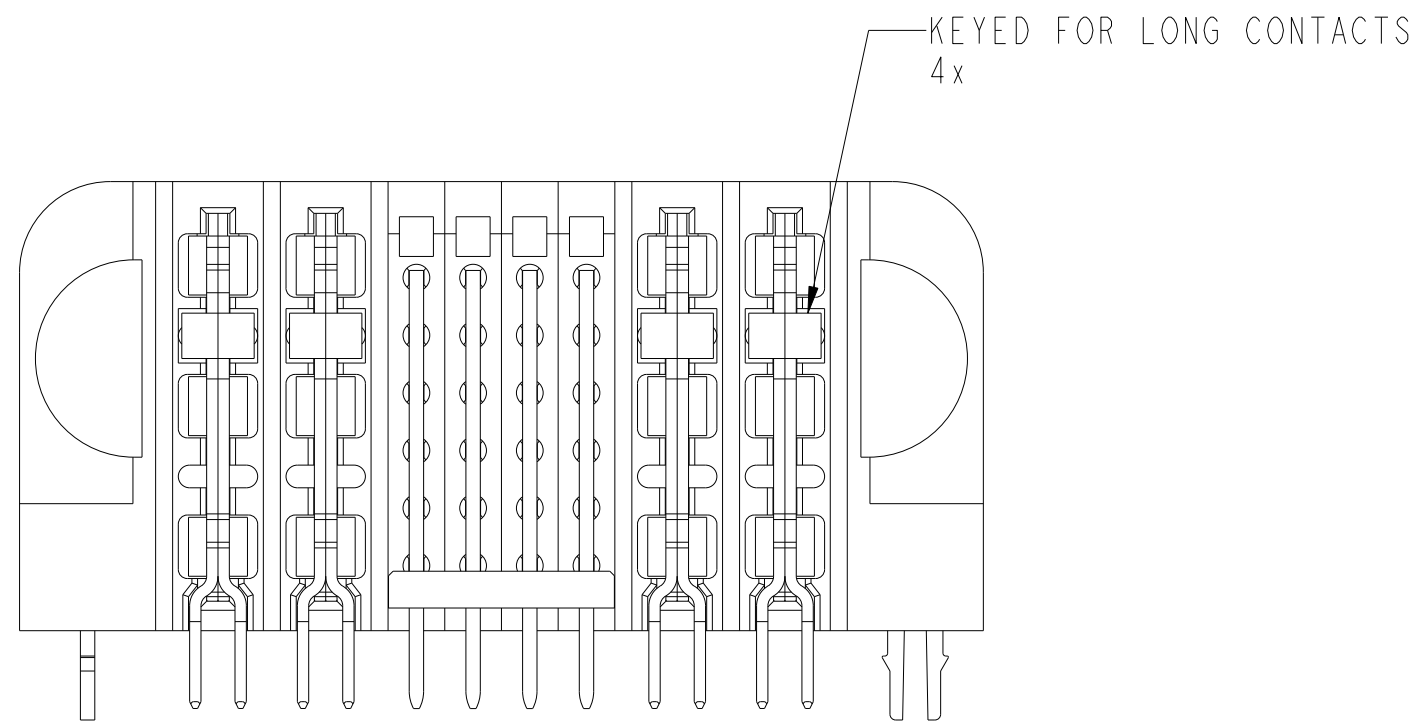
© 2016 APCI



**DETAIL A**  
**SCALE 4:1**  
 POWER MATING  
 SEQUENCE



**SECTION W-W**  
 SIGNAL MATING  
 SEQUENCE

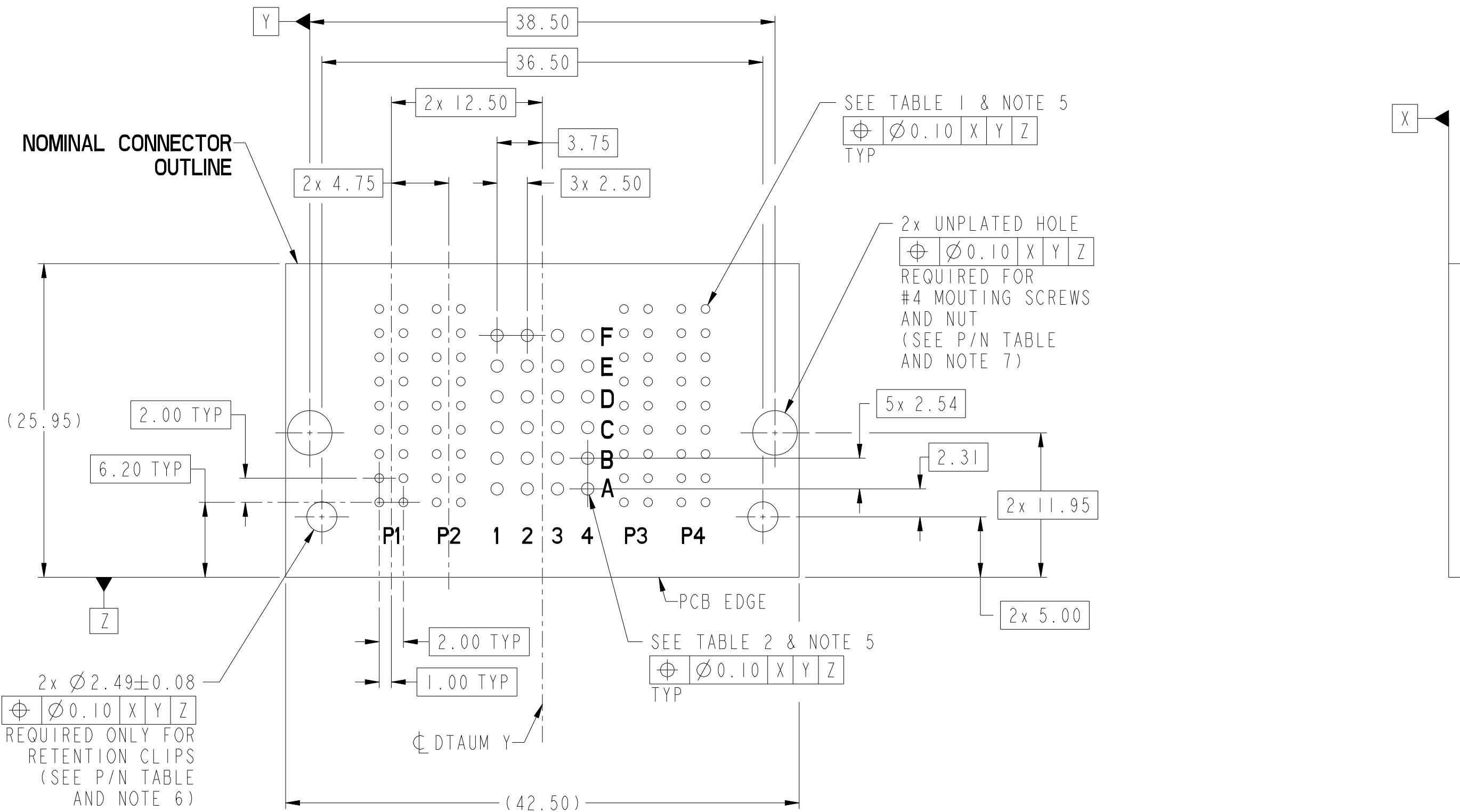


**VIEW G-G**

**Amphenol FCI**

© 2016 AFCI

spec ref	*	dr	De-Ming Lu	2015/05/05	projection	MM	size	A2	scale	3:1			
tolerance std	ISO 406 ISO 1101	eng	De-Ming Lu	2017/02/22			ecn no	-	rel level	Released			
TOLERANCES UNLESS OTHERWISE SPECIFIED		chr	Fancy Zhang	2017/02/22									
		appr	Pei-Ming Zheng	2017/02/22									
surface	ISO 1302	linear	0.X	±0.5	<b>Amphenol FCI</b>		title	2HP + 24S + 2HP		dwg no	10135064	rev	A
		angular	0°	±2°	<b>Amphenol FCI</b>		RIGHT ANGLE PLUG, SOLDER TAILS	cat. no.	-	Product - Customer Drw	sheet 2 of 6		



RECOMMENDED PCB LAYOUT  
COMPONENT SIDE  
NOTE 4

Amphenol  
FCi

© 2016 AFci

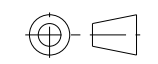
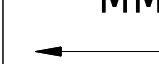

spec ref	*	dr	De-Ming Lu	2015/05/05	projection	MM	size	A2	scale	3:1		
tolerance std	ISO 406 ISO 1101	eng	De-Ming Lu	2017/02/22		PWRMAX	ecn no	-	rel level		Released	
surface	linear	chr	Fancy Zhang	2017/02/22			<b>Amphenol FCi</b>	title 2HP + 24S + 2HP RIGHT ANGLE PLUG, SOLDER TAILS	dwg no 10135064	rev A	Product - Customer Drw	
		appr	Pei-Ming Zheng	2017/02/22							cat. no.	-
ISO 1302	angular	0°	±2°									

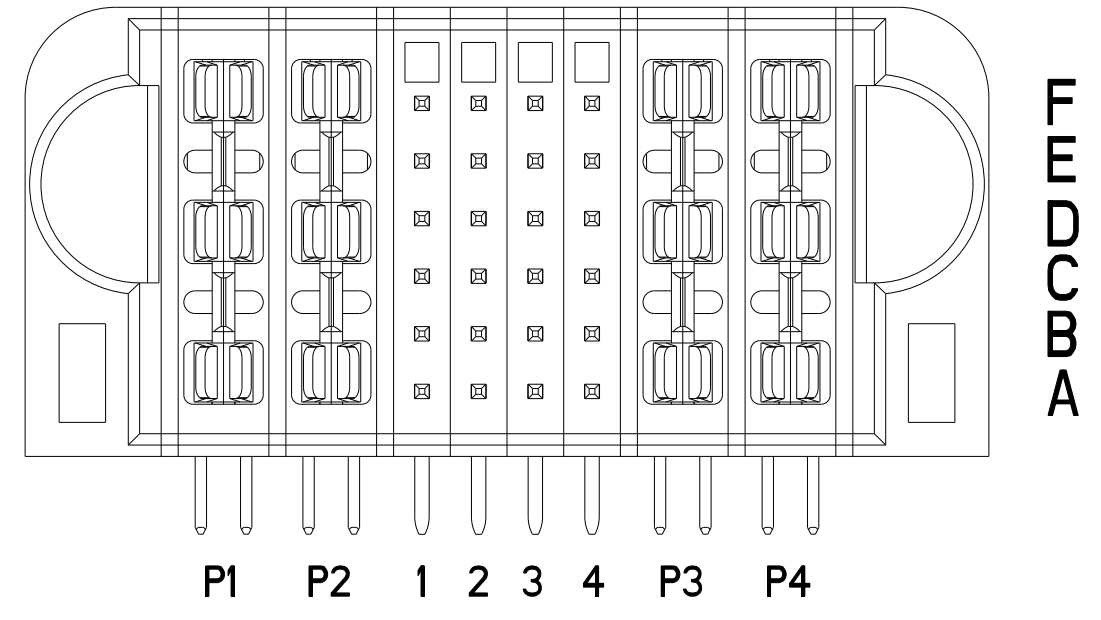
TOP LAYER DESCRIPTION	TABLE 1 (PWRMAX POWER) PLATED THROUGH-HOLE REQUIREMENTS							
	DRILLED HOLE DIAMETER	COPPER THICKNESS	TIN-LEAD THICKNESS	NICKEL THICKNESS	GOLD THICKNESS	TIN THICKNESS	SILVER THICKNESS	FINISHED HOLE DIAMETER
TIN-LEAD	0.81-0.86 (0.85 DRILL)	0.025 - 0.050	0.005 - 0.015	--	--	--	--	0.65 - 0.80
IMMERSION TIN	0.81-0.86 (0.85 DRILL)	0.025 - 0.050	--	--	--	0.9 - 1.5um	--	0.70 - 0.80
IMMERSION SILVER	0.81-0.86 (0.85 DRILL)	0.025 - 0.050	--	--	--	--	0.15 - 0.65um	0.70 - 0.80
COPPER	0.81-0.86 (0.85 DRILL)	0.025 - 0.050	--	--	--	--	--	0.70 - 0.80
GOLD	0.81-0.86 (0.85 DRILL)	0.025 - 0.050	--	0.003 - 0.007	FLASH UP TO 0.0002	--	--	0.69 - 0.80

TOP LAYER DESCRIPTION	TABLE 2 (PWRMAX SIGNALS & LOW POWER) PLATED THROUGH-HOLE REQUIREMENTS							
	DRILLED HOLE DIAMETER	COPPER THICKNESS	TIN-LEAD THICKNESS	NICKEL THICKNESS	GOLD THICKNESS	TIN THICKNESS	SILVER THICKNESS	FINISHED HOLE DIAMETER
TIN-LEAD	1.125-1.175	0.025-0.050	0.005-0.015	--	--	--	--	0.94 - 1.10
IMMERSION TIN	1.125-1.175	0.025-0.050	--	--	--	0.9 - 1.5um	--	0.94 - 1.10
IMMERSION SILVER	1.125-1.175	0.025-0.050	--	--	--	--	0.15 - 0.65um	0.94 - 1.10
COPPER	1.125-1.175	0.025-0.050	--	--	--	--	--	0.94 - 1.10
GOLD	1.125-1.175	0.025-0.050	--	0.003 - 0.007	FLASH UP TO 0.0002	--	--	0.93 - 1.10

Amphenol FCI

© 2016 AFCI

spec ref *	dr De-Ming Lu 2015/05/05	projection	MM	size A2	scale 3:1
tolerance std ISO 406 ISO 1101	eng De-Ming Lu 2017/02/22			ecn no -	rel level Released
TOLERANCES UNLESS OTHERWISE SPECIFIED	chr Fancy Zhang 2017/02/22				
	appr Pei-Ming Zheng 2017/02/22				
surface ISO 1302	product family PWRMAX			title 2HP + 24S + 2HP RIGHT ANGLE PLUG, SOLDER TAILS	dwg no 10135064 rev A
	cat. no. -	Product - Customer Drw		sheet 4 of 6	



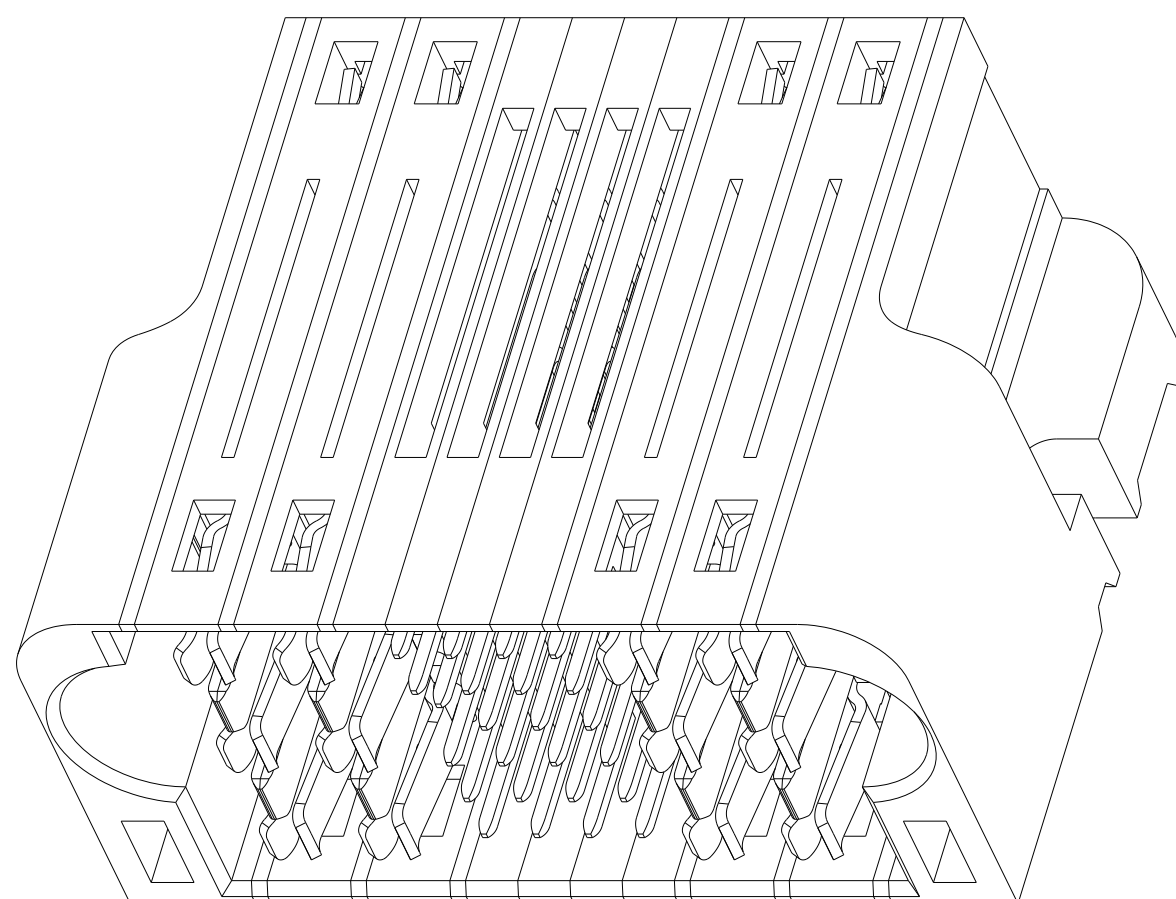
CONTACT TYPE	ID#	MATING ORDER	DIM "M"
HIGH POWER (DC)	P1	LONG	8.20
	P2	LONG	8.20
	P3	LONG	8.20
	P4	LONG	8.20
SIGNAL	1A	LONG	6.86
	1B	LONG	6.86
	1C	LONG	6.86
	1D	LONG	6.86
	1E	LONG	6.86
	1F	LONG	6.86
SIGNAL	2A	LONG	6.86
	2B	LONG	6.86
	2C	LONG	6.86
	2D	LONG	6.86
	2E	LONG	6.86
	2F	LONG	6.86
SIGNAL	3A	LONG	6.86
	3B	LONG	6.86
	3C	LONG	6.86
	3D	LONG	6.86
	3E	LONG	6.86
	3F	LONG	6.86
SIGNAL	4A	LONG	6.86
	4B	LONG	6.86
	4C	LONG	6.86
	4D	LONG	6.86
	4E	LONG	6.86
	4F	LONG	6.86

Amphenol  
FCi

© 2016 AFci

spec ref	*	dr	De-Ming Lu	2015/05/05	projection	MM	size	A2	scale	3:1	
tolerance std	ISO 406 ISO 1101	eng	De-Ming Lu	2017/02/22			ecn no	-			
surface	linear ±0.5 ±0.25 ±0.100 angular 0° ±2°	chr	Fancy Zhang	2017/02/22			product family	PWRMAX	rel level	Released	
		appr	Pei-Ming Zheng	2017/02/22			<b>Amphenol FCI</b>		title	2HP + 24S + 2HP	dwg no
ISO 1302					RIGHT ANGLE PLUG, SOLDER TAILS		rev	A	cat. no. - Product - Customer Drw sheet 5 of 6		

PART NUMBER	RETENTION CLIPS	#4 SCREW	DIM "T" (TAIL LENGTH)	TAIL TYPE	TOOLED
10135064-001LF	NO	OPTIONAL	3.43	SOLDER TAIL	YES
10135064-002LF	NO		4.70	SOLDER TAIL	NO
10135064-003LF	YES		3.43	SOLDER TAIL	YES
10135064-004LF	YES		4.70	SOLDER TAIL	NO



NOTES:

- MATERIALS:  
HOUSING: HIGH TEMP THERMOPLASTIC WITH GLASS FIBER, UL94V-0, BLACK.  
POWER CONTACTS: HIGH PERFORMANCE COPPER ALLOY  
SIGNAL CONTACT: COPPER ALLOY.
- PLATING SPECIFICATION:  
POWER CONTACTS CONTACT AREA: GCS OVER NI  
SIGNAL CONTACTS CONTACT AREA: GXT OVER NI  
TAIL AREA: MATTE SN OVER NI
- PRODUCT MARK:  
PART NUMBER AND DATE CODE TO BE MARKED ON THIS SURFACE.  
THE MARK CAN BE OMITTED IF THERE IS NOT ENOUGH SPACE ON THIS SURFACE.
- MINIMUM NOMINAL PCB THICKNESS: 1.6mm
- ALL HOLE SIZES ARE FINISHED HOLE SIZES.
- MOUNTING HOLES ARE UNPLATED.
- SCREW MOUNTING HOLE DIMENSION:  
Ø3.683±0.05mm FOR GENERAL NUT.  
Ø4.216±0.05mm FOR PEM NUT.
- THE HOUSING WILL WITHSTAND EXPOSURE TO 260°C PEAK TEMPERATURE FOR 10 SECONDS IN A WAVE SOLDER APPLICATION.
- THIS PRODUCT MEETS EUROPEAN UNION DIRECTIVES AND OTHER COUNTRY REGULATIONS AS DESCRIBED IN GS-47-0004.
- PRODUCT SPECIFICATION: GS-12-1314.  
APPLICATION SPECIFICATION: GS-20-0447.  
PACKAGE IN TRAYS, PER SPECIFICATION: GS-14-2523.

spec ref	*	dr	De-Ming Lu	2015/05/05	projection	MM	size	A2	scale	3:1
tolerance std	ISO 406 ISO 1101	eng	De-Ming Lu	2017/02/22			ecn no	-		
TOLERANCES UNLESS OTHERWISE SPECIFIED		chr	Fancy Zhang	2017/02/22			rel level	Released		
surface	ISO 1302	appr	Pei-Ming Zheng	2017/02/22			product family	PWRMAX	dwg no	10135064
		linear	0.X	±0.5	Amphenol FCI		2HP + 24S + 2HP			
			0.XX	±0.25	RIGHT ANGLE PLUG, SOLDER TAILS					
			0.XXX	±0.100						
		angular	0°	±2°						
					cat. no.	-	Product - Customer Drw		sheet 6 of 6	

## X-ON Electronics

Largest Supplier of Electrical and Electronic Components

*Click to view similar products for [Heavy Duty Power Connectors](#) category:*

*Click to view products by [Amphenol](#) manufacturer:*

Other Similar products are found below :

[1424439](#) [1424438](#) [09330062652](#) [2-8675P1](#) [605601-1](#) [6340G1](#) [6341G1](#) [6360G1](#) [6373G1](#) [6374g2](#) [6396G1](#) [647757-1](#) [66394-4](#) [6643411-1](#)  
[6646058-2](#) [6646137-1](#) [6646138-1](#) [6646348-1](#) [6646479-1](#) [6646608-1](#) [6646786-1](#) [6646940-1](#) [6651091-1](#) [6651525-1](#) [6651529-1](#) [6651778-1](#)  
[6651788-1](#) [696465-1](#) [696475-1](#) [73000005059](#) [73000005349](#) [73000005642](#) [73080255059](#) [73080965046](#) [765-15-0080A](#) [765-16-0080B](#)  
[789.700-44](#) [789.700-54](#) [80-1010](#) [80-9](#) [827381-1](#) [829992-1](#) [902-77-02113](#) [PL00U-301-10D10](#) [PM103MOOLOO](#) [PM16S1620S32-50](#)  
[PM212MOOLOO](#) [PM309FOOLOO](#) [PM324FOOLCH](#) [PMHPAF11S03](#)