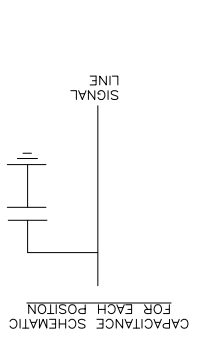
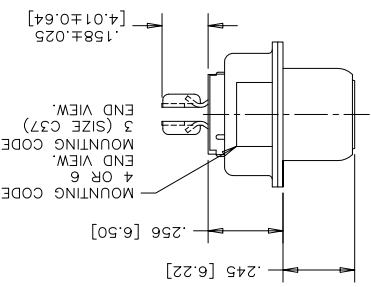
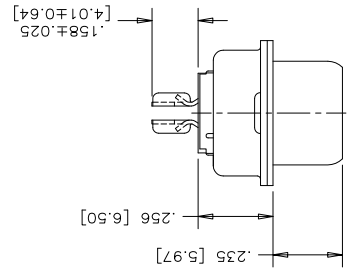
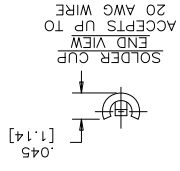
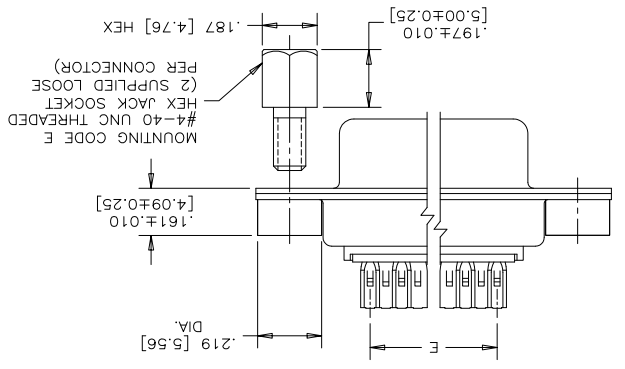
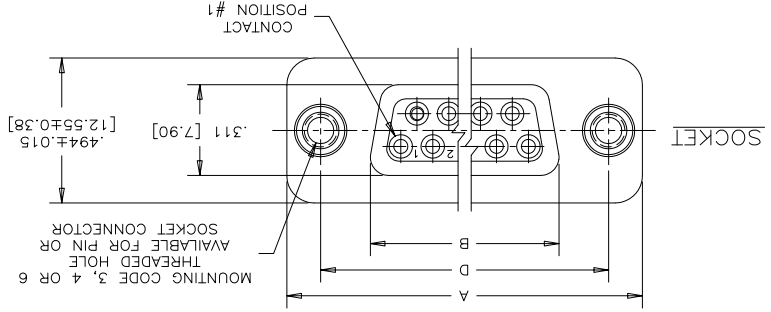
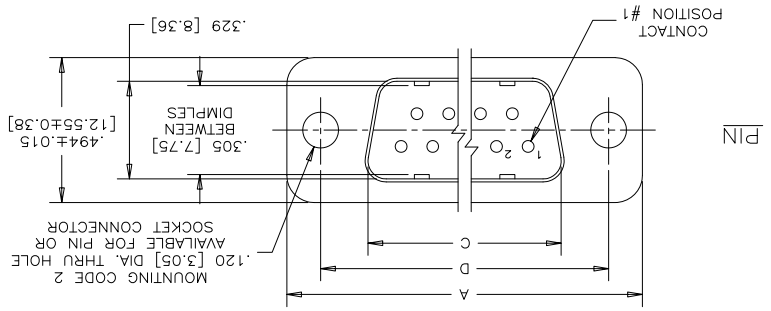


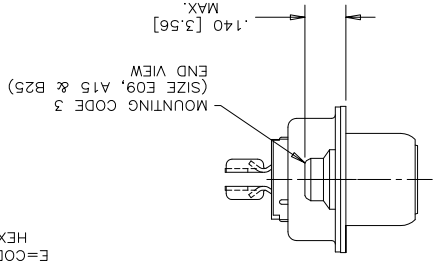
THIS DOCUMENT CONTAINS PROPRIETARY INFORMATION AND SUCH INFORMATION MAY NOT BE DISCLOSED TO OTHERS FOR ANY PURPOSE OR USED FOR MANUFACTURING PURPOSES WITHOUT WRITTEN PERMISSION FROM AMPHENOL CANADA CORP.

SIZE	STYLE	A ±.015	B ±.005	C ±.005	D ±.005	E BSC.
E09	PIN	1.213	-.666	[16.92]	.984	.432
	SOCKET	[50.81]	.643	[16.33]	[24.99]	[10.97]
A15	PIN	1.541	-.971	[24.66]	1.312	.756
	SOCKET	[59.14]	.971	[24.66]	[33.32]	[19.20]
B25	PIN	2.088	-.971	[38.96]	1.852	1.304
	SOCKET	[53.04]	1.511	[38.38]	[47.04]	[33.12]
C37	PIN	2.729	-.971	[54.84]	2.500	1.956
	SOCKET	[69.32]	2.159	[54.84]	[63.50]	[49.68]



- NOTES:
1. MATERIALS: ALL MATERIALS ARE ROHS COMPLIANT.
 2. CONTACT RESISTANCE: 15 MILLIOHMS MAXIMUM
 3. INSULATION RESISTANCE: 3000 MEGOHMS MINIMUM
 4. CURRENT RATING: 5 AMPS MAXIMUM
 5. OPERATING TEMPERATURE: -40°C TO 85°C
 6. TOLERANCE UNLESS INDICATED OTHERWISE: ±.005 [0.13]

- MOUNTING HARDWARE, STEEL OR COPPER ALLOY, TIN OR NICKEL PLATED.
- UL FLAMMABILITY RATING 94V-0, COLOUR: BLACK
- INSULATOR: ENGINEERING THERMOPLASTIC, GLASS REINFORCED, MATTE TIN ON THE TAILS.
- MINIMUM NICKEL IN THE MATING AREA AND 100µ" [2.54 MICRONS] MINIMUM
- CONTACTS: PHOSPHOR BRONZE, PLATED WITH GOLD OVER 50µ" [1.27 MICRONS]
- SHELL: STEEL, TIN PLATED



ORDERING CODE: F C E 1 7 - E 0 9 P M - 4 7 0 G

SERIES: FCE17=FILTERED D-SUB, ROHS

SIZE/NUMBER OF CONTACTS: E09, A15, B25, OR C37

CONNECTOR STYLE: P=PIN, S=SOCKET

TERMINATION TYPE: M=SOLDER CUP TAILS

CONTACT FINISH/GOLD THICKNESS: NO DIGI=STANDARD 15 MICRONS, G=50 MICRONS, GOLD ON MATING AREA

MODIFIER: O=STANDARD

FILTER CAPACITANCE: D=50 pf, B=100 pf, 7=1200 pf, 6=1300 pf, J=1500 pf, L=380 pf, E=2200 pf, F=330 pf, U=180 pf, 0=180 pf, 6=1300 pf, 7=1200 pf, 5=1000 pf

REFER TO AMPHENOL CATALOGUE FOR FILTER PERFORMANCE CHARACTERISTICS

MOUNTING: 2=.120 [3.05] DIA THROUGH HOLE, 3=#4-40 UNC SELF-LOCKING THREAD, 4=#4-40 UNC THREAD, 6=M3 x 0.5 THREAD, E=CODE 4 MOUNTING WITH #4-40 UNC HEX JACK SOCKETS SUPPLIED

REV	ECN, ERN NO.	DATE	APPRD.
F	PRODUCT DRAWING (EAR 14498)	NOV11/16	K.L.

DATE	DESIGNED	CHECKED	I. E. APPRD.	O. A. APPRD.	DWG. APPRD.	ENG. REL. NO.	DWG. NO.	DRAWING NO.	REV.
UNN2/05	DRAWN K. LAMBIE							P-FCE17-XXXXM-XXOX	F

REF: EAR 12758
DIMENSIONS ARE IN INCHES [mm]
SCALE 3/1
SHEET 1 OF 1

X-ON Electronics

Largest Supplier of Electrical and Electronic Components

Click to view similar products for [D-Sub Adapters & Gender Changers](#) category:

Click to view products by [Amphenol](#) manufacturer:

Other Similar products are found below :

[76000672](#) [243A10110X](#) [243A10120X](#) [243A10140X](#) [243A11070X](#) [243A13240X](#) [243A13290X](#) [243A13460X](#) [300X10729X](#) [300X10759X](#)
[GCHDLP26F26F](#) [56-715-005-LI](#) [56F715-003](#) [76000673](#) [200.2071](#) [243A11800X](#) [243A10560X](#) [243A11060X](#) [56-745-005](#) [243A10580X](#)
[56F715-005-LI](#) [SC485](#) [40-9525S](#) [76000670](#) [FCC17-C37AD-291](#) [FCC17-E09AD-250](#) [FCE17-E09AD-250](#) [76000560](#) [GCLP37M37F](#)
[GCLP37M37M](#) [76000702](#) [GCHDLPF15M15M](#) [GCHDLPF15F15F](#) [301-1001-11](#) [301-1001-31](#) [76000698](#) [76000699](#) [NADB9MF](#) [FCE17-](#)
[C37AD-290](#) [30-9520](#) [P156-000](#) [P118-000](#) [P152-000](#) [2902318](#) [P150-000](#) [2902317](#) [320X10549X](#) [2902320](#) [230016003](#) [163A50039X](#)