



The SuperCool Series Air-to-Air thermoelectric assembly is a high performance thermoelectric based air conditioner. It is designed to temperature control small chambers used in medical diagnostics or sample storage compartments in analytical instrumentation. This unique design offers a high performance hot side heat dissipation mechanism that convects heat more efficiently than conventional heat exchanger technologies. The design utilizes custom thermoelectric modules to maximize cooling capacity and premium grade fans to reduce noise. Moisture resistant insulation is used to keep condensation from penetrating into the TEM cavity. This unit operates at 24 VDC and is designed for indoor lab use environment. Custom configurations available upon request.

Laird Manufacturer Part Number: 387000612

Patent Pending



FEATURES

- High Performance
- Compact Form Factor
- Reliable Solid-State Operation
- RoHS Compliant

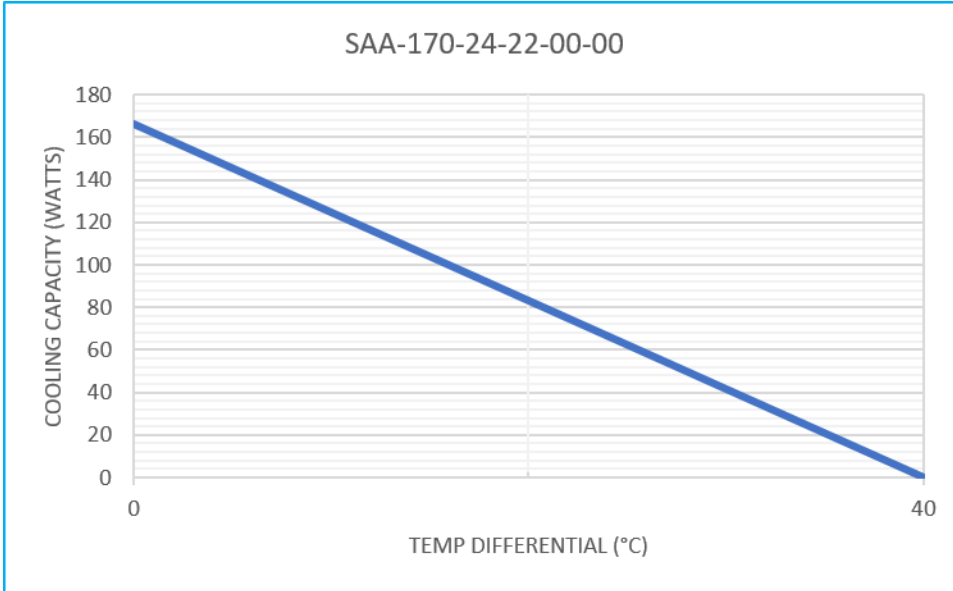
APPLICATIONS

- Analytical storage compartment temperature control
- Medical diagnostic chamber refrigeration

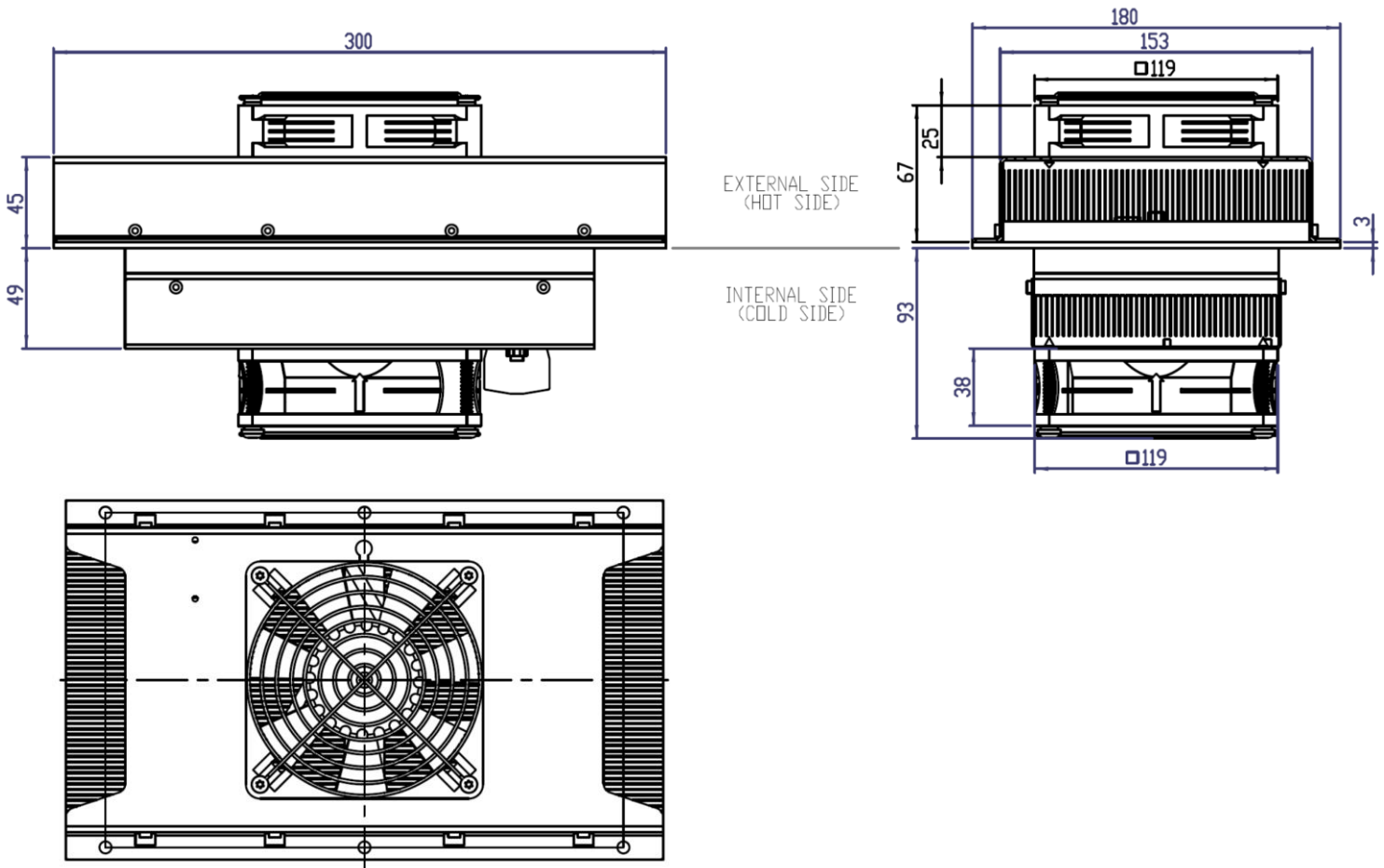
TECHNICAL SPECIFICATIONS	
TEA Model	SAA-170-24-22-00-00
Heat Transfer, Cold Side	Air
Heat Transfer, Hot Side	Air
Cooling Power	166 W @ $\Delta T=0^{\circ}\text{C}$ and $T_a=35^{\circ}\text{C}$, Tolerance $\pm 10\%$
TEM Input Power	
Voltage, Nominal	24 VDC
Current, Nominal/Initial	6.9/8.1 Amps @ $\Delta T=0^{\circ}\text{C}$
Fan Input Power	
Voltage, Nominal	24 VDC
Current, Nominal (Cold Side)	0.2 Amps
Current, Nominal (Hot Side)	0.5 Amps
Fan Noise	62.6 dBA
Dimension (L x W x H)	300 x 180 x 163 mm
Weight	4.5 kgs
Operating Temperature	-20°C to 70°C
Packaging	Individual cardboard box

PERFORMANCE CURVES

TEA performance at Ta=35°C

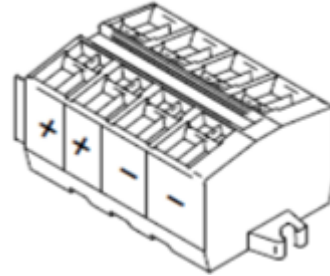


ISOMETRIC DRAWINGS



ELECTRICAL CONNECTIONS

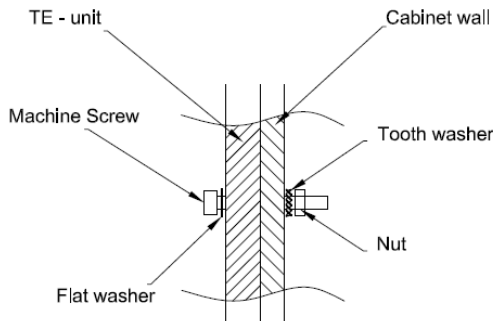
OBJECT	COLOR	POLE
TEM +	Red	1
TEM -	Black	2
FAN COLD SIDE +	Red	3
FAN COLD SIDE -	Black	4
FAN HOT SIDE +	Red	5
FAN COLD SIDE -	Black	6



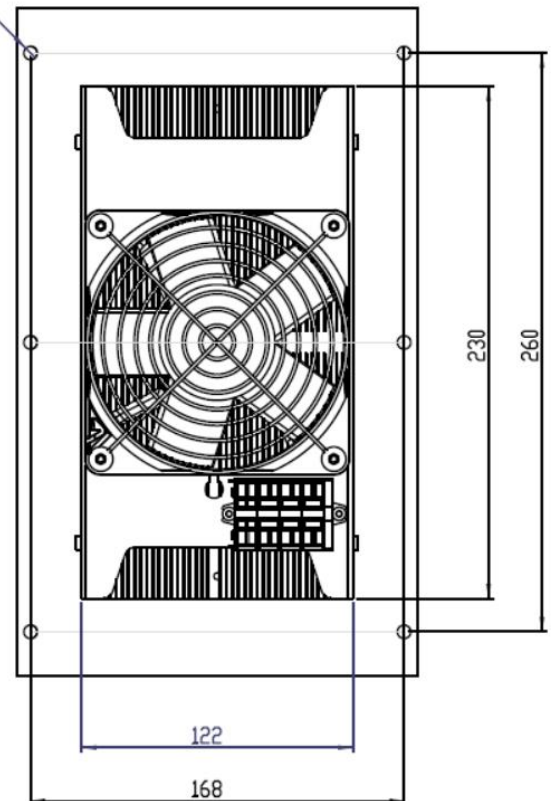
Warning: Do not reverse current or use PWM-regulation on fan supply.

INSTALLATION INSTRUCTIONS

1. Mount with “hot side” external to chamber wall.
2. Cutout should be approximately 124 x 232 mm.
3. Unit should be fastened as shown in diagram with gasket material sealing around cutout.
4. For operation below dew point, recommend to position unit in vertical direction with wires facing down to allow for condensation run off. Drop tray may be required to collect moisture from surfaces at temperatures below dew point.
5. TEA should not be used as part of the structure and is recommended to be protected from external forces.
6. The input power to TEA should be protected with fuse. Fuse rating should withstand 150% of nominal current rating for 60 seconds. This is valid for $T_a=26^{\circ}\text{C}$. Fuse rating for alternate ambient temperatures can be calculated by T_a .
7. Max ripple current on supply power should be $\leq 5\%$.
8. Switching power to TEMs at frequencies between 0.01Hz to 5KHz may degrade reliability and shorten life.



$\varnothing 6 (6x)$
(Holes used to mount the unit)



SERVICE

- Units are generally maintenance free, however occasionally it is recommended to clean the heat sinks and fans of debris. This is best done with compressed air.



Americas: +1.919.597.7300
Europe: +46.31.420530
Asia: +86.755.2714.1166
ets.sales@lairdtech.com
www.lairdtech.com

Laird warrants to the original end user customer of its products that its products are free from defects in material and workmanship. Subject to conditions and limitations Laird will, at its option, either repair or replace any part of its products that prove defective because of improper workmanship or materials. This limited warranty is in force for the useful lifetime of the original end product into which the Laird product is installed. Useful lifetime of the original end product may vary but is not to exceed five (5) years from the original date of the end product purchase.

Any information furnished by Laird Inc. and its agents is believed to be accurate and reliable. All specifications are subject to change without notice. Responsibility for the use and application of Laird materials rests with the end user, since Laird and its agents cannot be aware of all potential uses. Laird makes no warranties as to the fitness, merchantability or suitability of any Laird materials or products for any specific or general uses. Laird shall not be liable for incidental or consequential damages of any kind. All Laird products are sold pursuant to the Laird Terms and Conditions of sale in effect from time to time, a copy of which will be furnished upon request.

© Copyright 2018 Laird Inc. All Rights Reserved. Laird, Laird Technologies, the Laird Logo, and other marks are trademarks or registered trademarks of Laird Inc. or an affiliate company thereof. Other product or service names may be the property of third parties. Nothing herein provides a license under any Laird or any third party intellectual property rights.

X-ON Electronics

Largest Supplier of Electrical and Electronic Components

Click to view similar products for [Thermoelectric Assemblies](#) category:

Click to view products by [Laird Connectivity](#) manufacturer:

Other Similar products are found below :

[AA-150-48-44-LK-XX](#) [TEC1-07108](#) [TEC1-04908](#) [TEC1-06310](#) [TEC1-06315](#) [DA-044-12-02-00-00](#) [387000840](#) [DA-045-24-02-00-00](#)
[387000866](#) [AA-040-12-22-00-00](#) [387000177](#) [387000913](#) [387000919](#) [TC-18-QC-50](#) [DA-051-24-02-00-00](#) [387000918](#) [387000910](#) [TC-](#)
[WIRE3-PR-59](#) [WL 2000](#) [AA-150-24-44-00-XX](#) [DA-039-12-02-00-00](#) [AA-060-24-22-00-00](#) [DA-020-12-02-00-00](#) [AAC050-24-22-00-00](#) [TC-](#)
[18-QE-50](#) [LA-115-24-02-00-00](#) [LA-045-12-02-00-00](#) [DA-108-24-02-00-00](#) [DA-045-12-02-00-00](#) [DA-024-12-02-00-00](#) [AA-060-12-22-00-00](#)
[AA-033-12-22-00-00](#) [AA-019-12-22-00-00](#) [387000872](#) [387000176](#) [371061,01](#) [387002414](#) [AA-026-12-22-00-00](#) [AA-150-24-44-LK-XX](#) [AA-](#)
[150-48-44-00-XX](#) [DA-033-12-02-00-00](#) [DA-075-12-02-00-00](#) [DL-120-24-00-00-00](#) [LAC-046-24-02-00-00](#) [L-ADAP-8-1/8](#) [LL-060-12-00-00-](#)
[00](#) [SAA-170-24-22-00-00](#) [SDA-195-24-22-00-00](#) [TC-NTC-1](#) [TC-NTC-2](#)