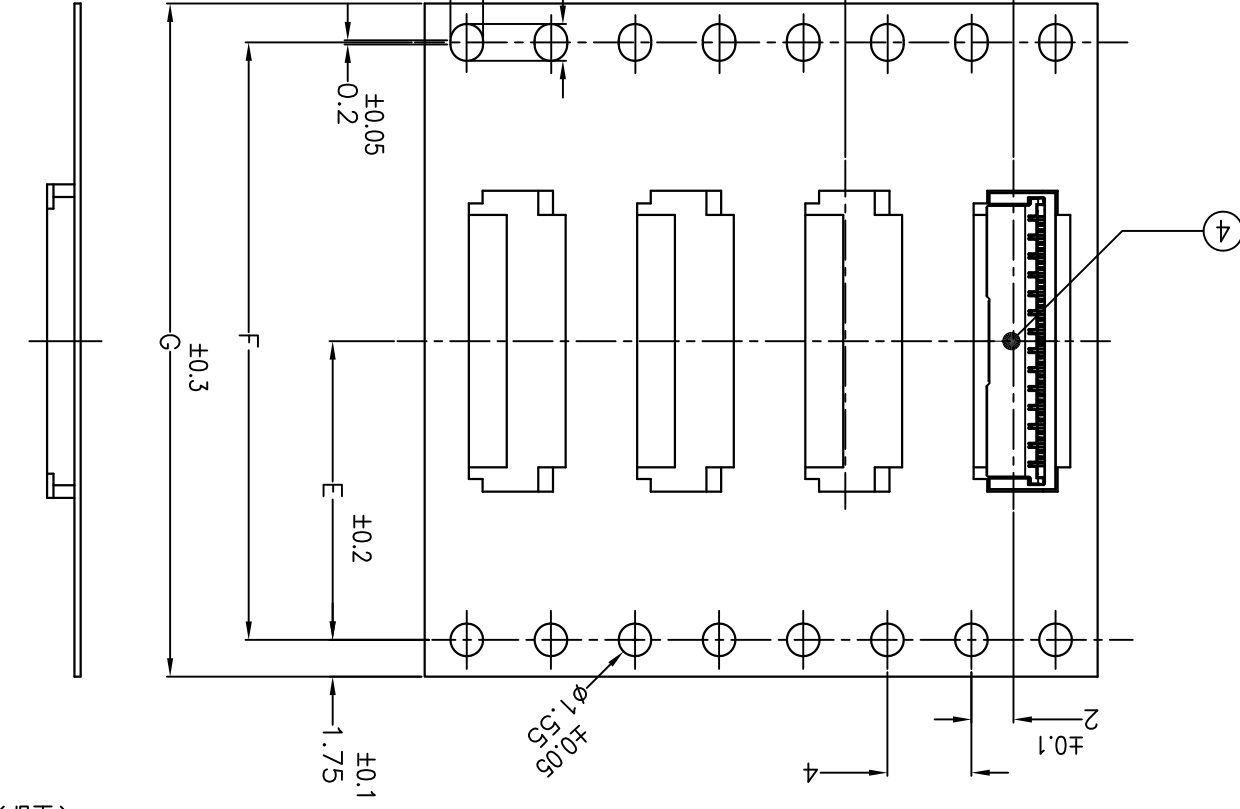
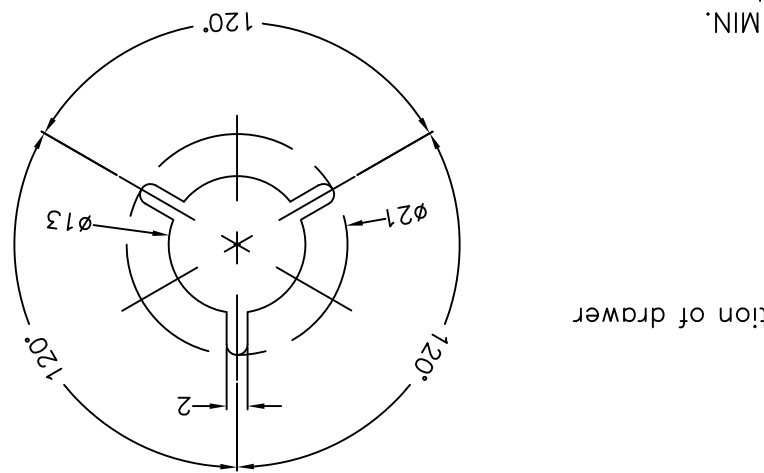
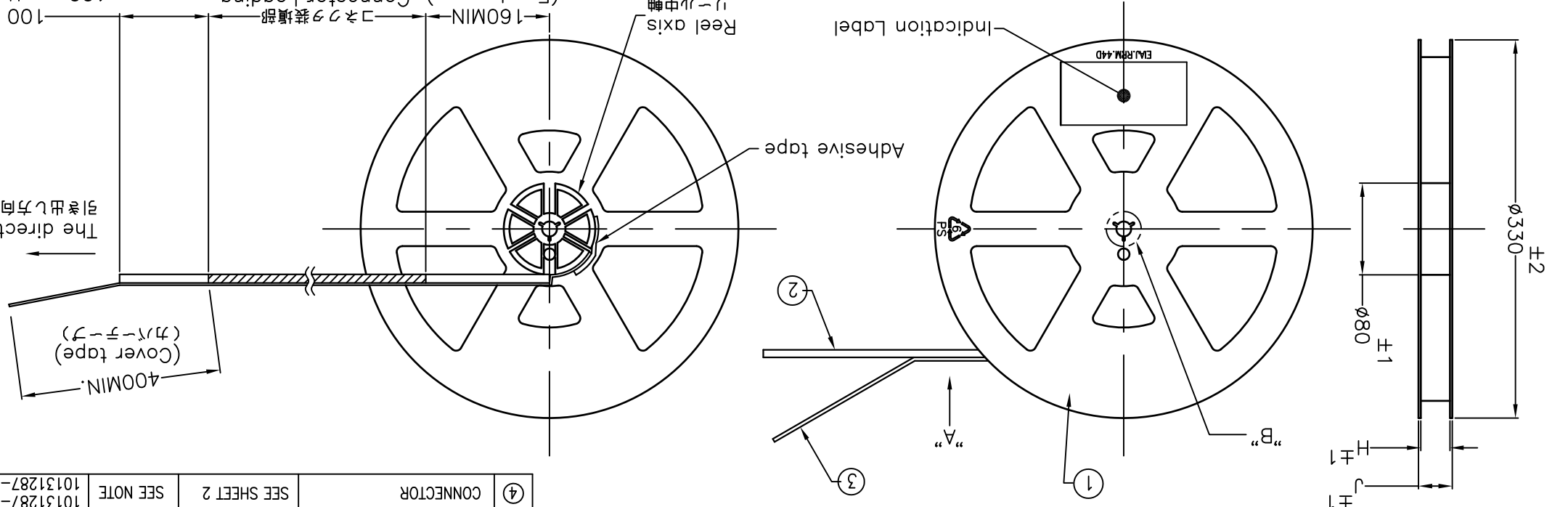


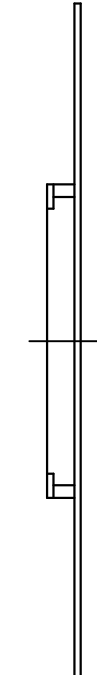
PRODUCT NO.	E	F	G	H	J	No. of Contact	Status
10131287-40HSHLF	14.2	28.4	32	33.5	37.5	40 pos	AVAILABLE
10131287-40HS9HLF	14.2	28.4	32	33.5	37.5	40 pos	AVAILABLE

PARTS TABLE 部品表

No.	PART NAME	MATERIAL	QTY.	NOTE
①	THE REEL FOR PACKAGING	POLYSTYRENE	1	ELECTRIFICATION PREVENTION PROCESSING Color : WHITE
②	EMBOSS TAPE	PP or PET	1	ELECTRIFICATION PREVENTION PROCESSING
③	COVER TAPE	POLYESTER	1	
④	CONNECTOR		SEE SHEET 2	SEE NOTE 10131287-40HSHLF : 5,000ea 10131287-40HS9HLF : 1,000ea

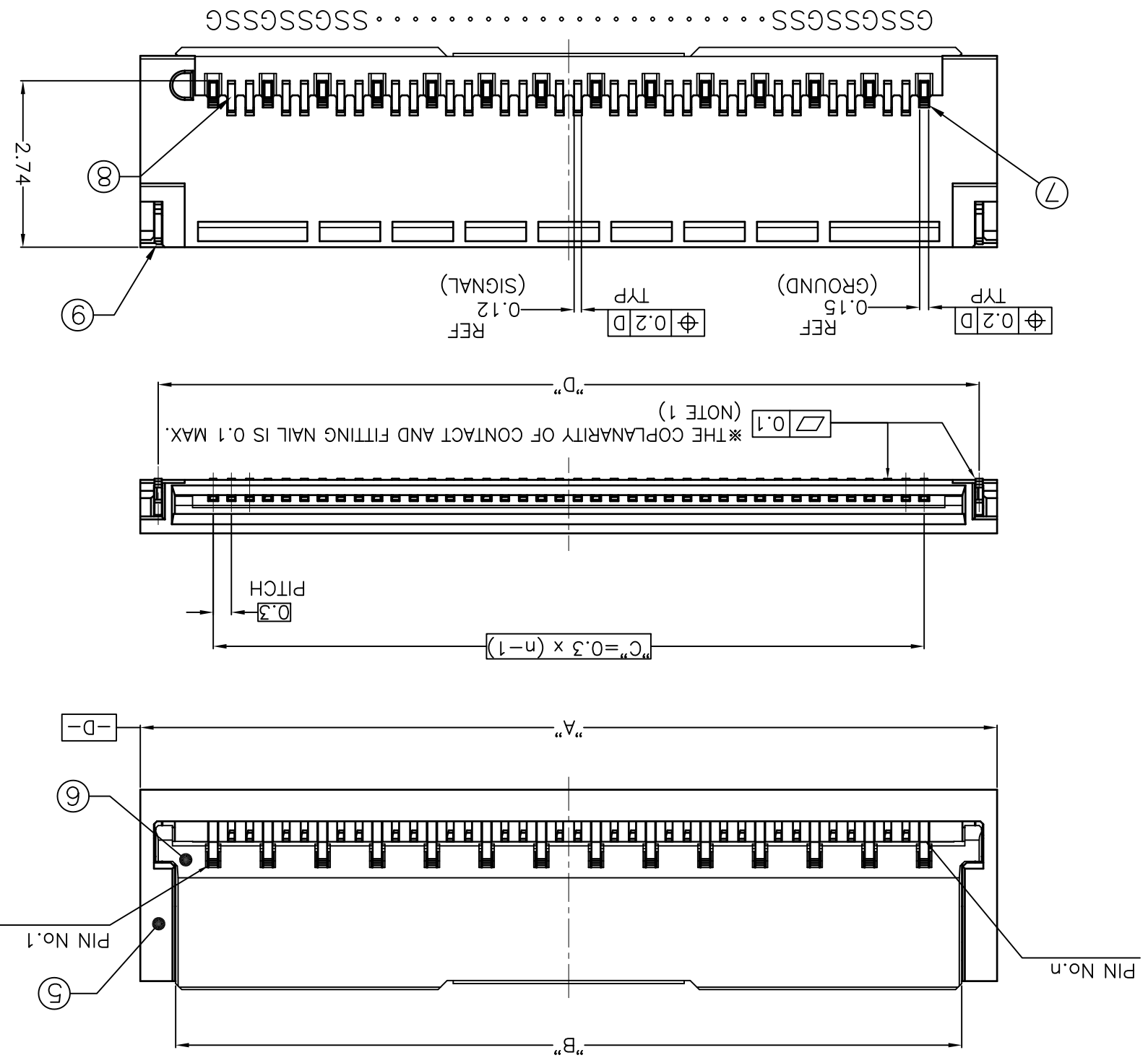


VIEW A (FREE)



NOTE  
 1. THIS ARTICLE CARRIES OUT THE EMBOSS TAPE PACKAGE OF THE CONNECTOR FOR 0.3mm PITCH HS FPC CONNECTOR.  
 2. THE SHAPE AND DIMENSION OF THIS ARTICLE ARE BASED ON JIS C 0806.  
 (TAPING OF ELECTRIC PARTS < SURFACE MOUNTED DEVICE)  
 3. PACKAGING SPEC. : REFER TO GS-14-2478  
 4. PRODUCT SPEC. : REFER TO GS-12-1301

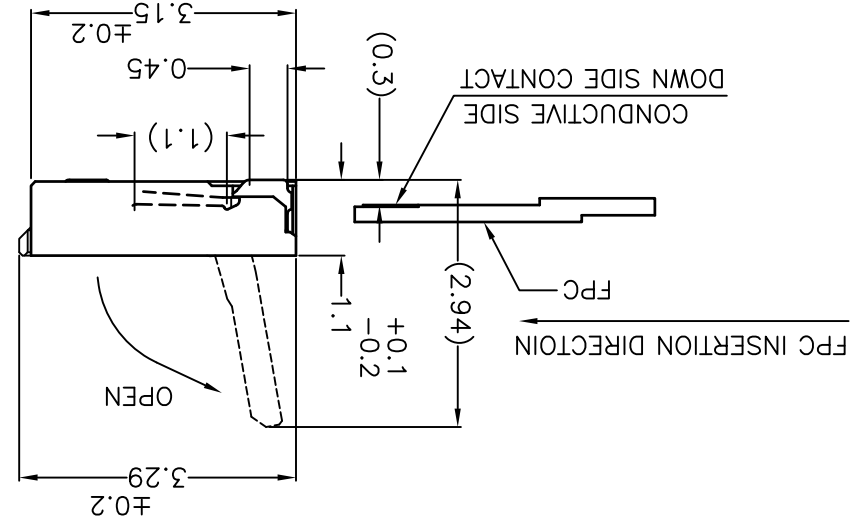
mat'l. code	surface	tolerance	projection	product family	title
	ISO 1302	ISO 1101	ISO 1101	58WF	0.3mm PITCH HS FPC CONNECTOR ASSY (XXXXX SERIES)
litr ecn no	dr	date	tolerance unless otherwise specified		
A	N.S	2015-09-14	0.X		
B	EX-J-23664	N.S	linear		
C	EX-J-26134	N.S	angles		
	2017-02-21	N.S	±.3		
dr	N.SASAME	2017-02-21	0.XXX		
engr	N.SASAME	2017-02-21	±0.3		
chr	H.SUZUKI	2017-02-21	mm		
appd	Y.KAMEDA	2017-02-21	scale 10:1		
sheet	revision	revision	type	PRODUCT CUSTOMER Drawing	Rev.
1	C	C	A2		
2	C	C	10131287		
3	C	C	10131287		
4	C	C	10131287		
5	C	C	10131287		
6	C	C	10131287		
7	C	C	10131287		
8	C	C	10131287		



NOTE  
 5. CONTACT COPLANARITY : 0.1 MAX.  
 6. This product meets European Union Directives and other country regulations as described in GS-47-0004  
 7. THIS HOUSING WILL WITHSTAND EXPOSURE TO 260degC PEAK TEMPERATURE FOR 10 SECONDS IN A CONVECTION,INFA-RED OR VAPOR PHASE REFLOW OVEN.

No.	PART NAME	QTY.	NOTE
⑤	HOUSING	1	HIGH TEMP THERMOPLASTIC LCP XXXXXXXXXXXXX COLOR : BLACK, UL94V-0, HALOGEN FREE
⑥	ACTUATOR	1	HIGH TEMP THERMOPLASTIC PPS XXXXXXXXXXXXX COLOR : BLACK, UL94V-0, HALOGEN FREE
⑦	GROUND CONTACT	14	COPPER ALLOY (CORSON ALLOY) CONTACT AREA : Au 0.05um MIN SOLDERING AREA : Ni 3±2um ALL OVER UNDER PLATING : Ni 3±2um ALL OVER
⑧	SIGNAL CONTACT	26	COPPER ALLOY (PHOSPHOR BRONZE) CONTACT AREA : Au 0.05um MIN SOLDERING AREA : Au 0.05um MIN UNDER PLATING : Ni 3±2um ALL OVER
⑨	FIXING TAB	2	COPPER ALLOY (PHOSPHOR BRONZE) TIN PLATING 2~5um UNDER PLATING : Ni 3±2um ALL OVER

PARTS TABLE (CONNECTOR)  
 n=Number of Contacts



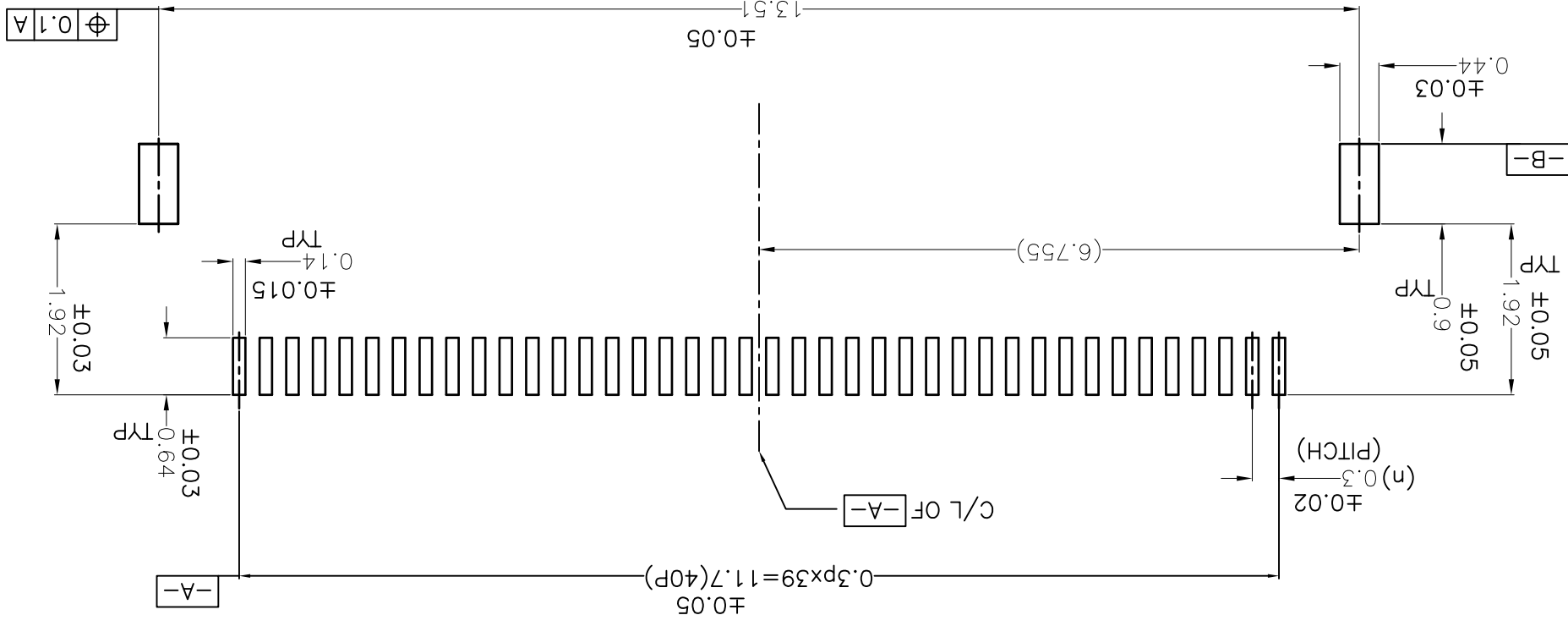
TOOLING STATUS	No. of Cont	DIM "D"	DIM "C"	DIM "B"	DIM "A"	PRODUCT NO.
AVAILABLE	40	13.51	11.7	12.935	14.1	10131287-40HSAHLF

mat'l. code	surface	ISO 1302	ISO 406	ISO 1101	projection	product family	PRODUCT NO.
						58WF	

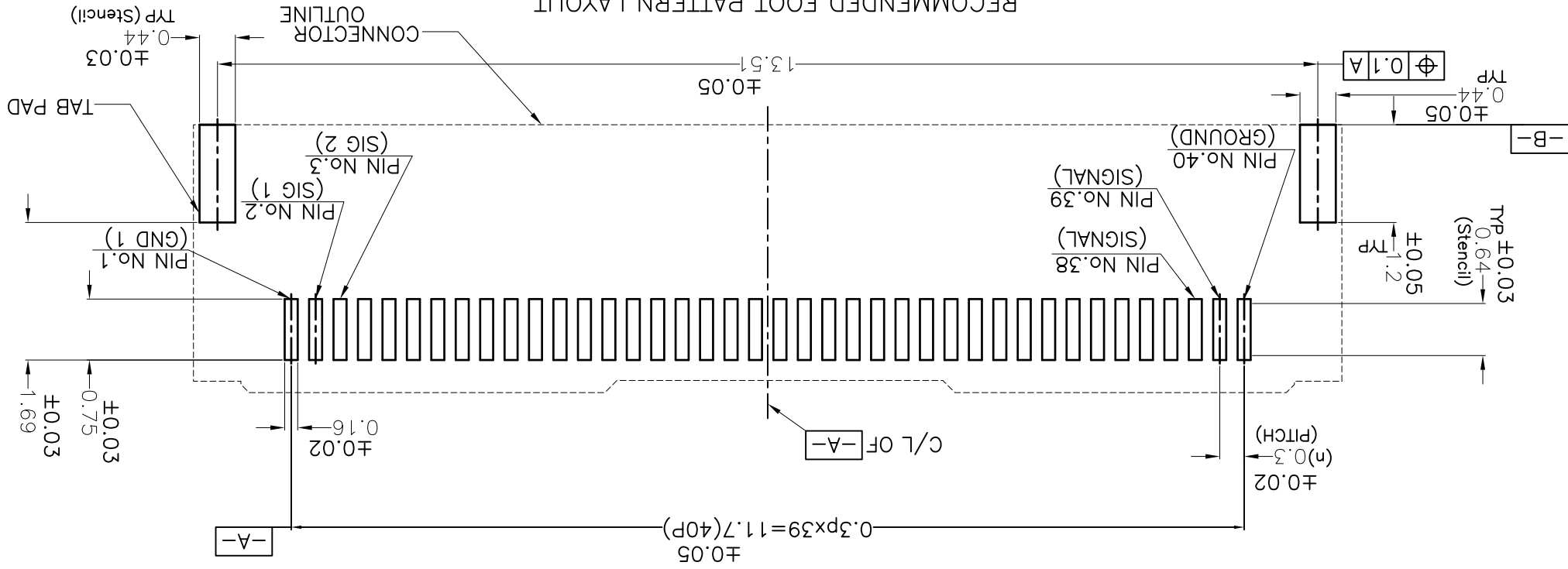
sheet	revision	revision	revision	revision	revision	revision	revision

CONNECTOR ASSY

RECOMMENDED STENCIL LAYOUT  
THICKNESS : 0.08mm



RECOMMENDED FOOT PATTERN LAYOUT  
GENERAL TOLERANCE ±0.1



PCB&STENCIL LAYOUT

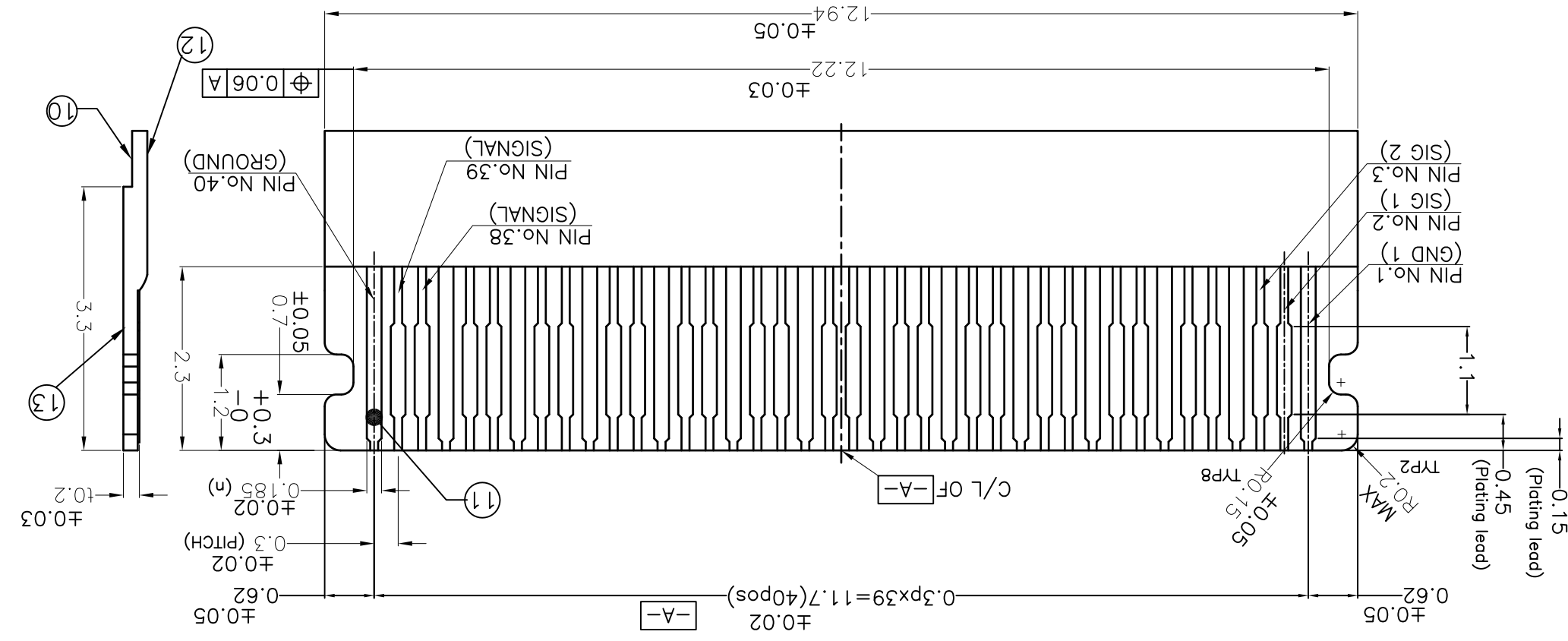
mat'l. code	surface	tolerance	projection	product family
	ISO 1302	ISO 406 ISO 1101	ASME Y14.5M unless otherwise specified	58WF
lfr	ecn no	dr	date	
A	N.S.	2015-09-14		
B	N.S.	2016-03-30		
C	N.S.	2017-02-21		
angles		linear	0.XX	±0.3
0.3mm PITCH HSPFC CONNECTOR ASSY (XXXXX SERIES)		scale	10:1	
dwg no		10131287		
sheet 3 of 4 size		A2		
type		PRODUCT CUSTOMER Drawing		
Rev.	C			

NOTE  
8. ADHESIVE METHOD OF STIFFENER BOARD SHALL BE HEAT CRIMPING METHOD AND THERMOSETTING ADHESIVE SHALL BE USED.

No.	PART NAME	MATERIAL
10	BASE FILM	POLYIMIDE
11	CONDUCTOR	COPPER FOIL (PLATING : Au 0.1um)
12	OVER LAY	POLYIMIDE
13	STIFFENER BOARD	POLYIMIDE

PARTS TABLE (FPC)

RECOMMENDED FPC PATTERN LAYOUT  
GENERAL TOLERANCE ±0.1



FPC LAYOUT

Rev.	Sheet	Revision	Index
C	1		
B	2		
A	3		

Dr	Engr	Chr	Y.KAMEDA
2017-02-21	2017-02-21	2017-02-21	2017-02-21
N.SASAME	N.SASAME	H.SUZUKI	

Mat'l. code	Surface	ISO 1302	ISO 406	ISO 1101	ISO 1101	ISO 1101

Tr	ecn no	dr	date

A	Linear	Angles	Scale
±0.3	±0.3	±0.3	10:1
±0.3	±0.3	±0.3	
±0.3	±0.3	±0.3	

Product family	Product name	Dwg no	Sheet # of # size
58WF	10131287	10131287	4 of 4 size
	(XXXXX SERIES)		
	0.3mm PITCH HSFPC CONNECTOR ASSY		

## X-ON Electronics

Largest Supplier of Electrical and Electronic Components

*Click to view similar products for [FFC & FPC Connectors](#) category:*

*Click to view products by [Amphenol](#) manufacturer:*

Other Similar products are found below :

[HFW11R-1STE1H1LF](#) [FH29B-100S-0.2SHW\(99\)](#) [FA5S008HP1](#) [FH29B-120S-0.2SHW\(99\)](#) [FH29B-80S-0.2SHW\(99\)](#) [FHS-16](#) [FPH-2022G](#)  
[52610-1075](#) [52610-1275](#) [52610-1934](#) [XF3M\(1\)-1415-1B-R100](#) [501864-3091-TR225](#) [0525594033](#) [086210010340800](#) [086222026001800](#)  
[52271-2869-CUT-TAPE](#) [62674-201121DLF](#) [62684-36210E9ALF](#) [52610-1675](#) [52746-1671-TR250](#) [10051922-2810EHLF](#) [6-520415-9](#)  
[BD021-09A-A1-0350-0200-0550-LD](#) [SFV6R-1STE9HLF](#) [XF3M-2915-1B-R100](#) [1658549-1](#) [62674-221121ALF](#) [46214008010800](#)  
[046298003000883](#) [151660622](#) [842-816-2630-035](#) [AYF530665TA](#) [AYF351525](#) [046296011930846+](#) [AYF352325A](#) [046254020000800+](#)  
[FH19C-13S-0.5SH\(99\)](#) [FH39J-51S-0.3SHW\(99\)](#) [AYF355125A](#) [AYF530365TA](#) [FH29B-44S-0.2SHW\(99\)](#) [SFW5R-2STAE9LF](#) [AYF351125A](#)  
[AYF350725A](#) [62684-502100AHLF](#) [FH39-61S-0.3SHW\(99\)](#) [AYF414035A](#) [10064555-172520HLF](#) [AYF212335A](#) [504754-2500](#)