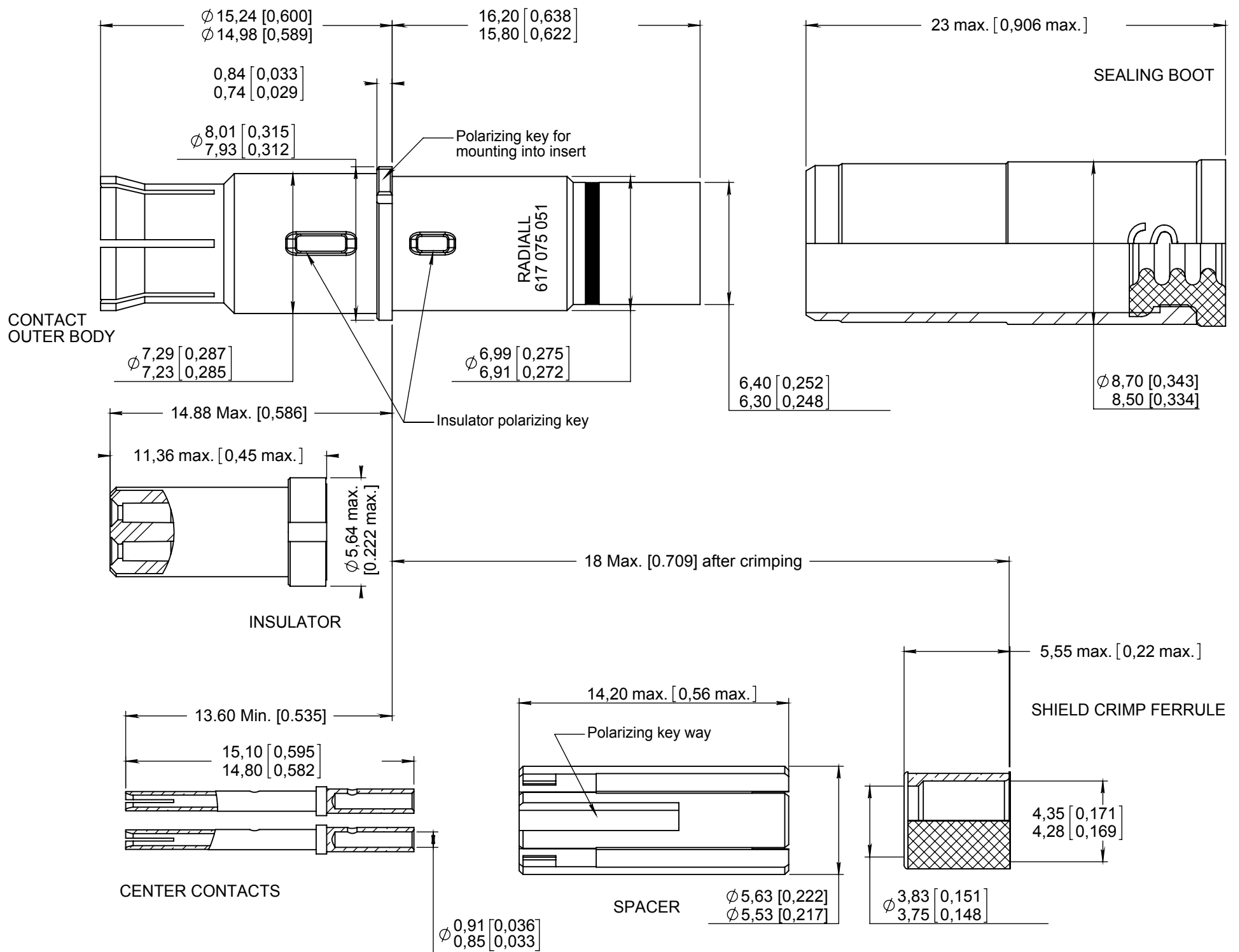
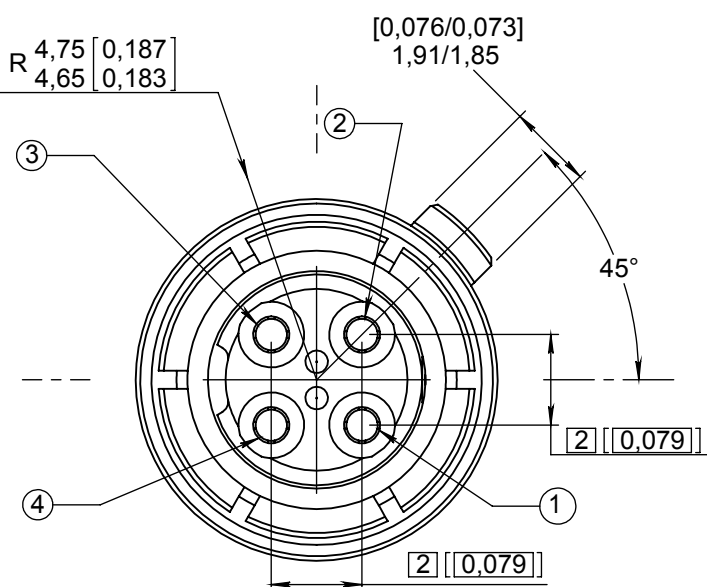


<b>Series</b> EPXB	<b>ENVIRONMENTAL SIZE 8 QUADRAX SOCKET CONTACT</b> FOR QUADRAX TENSOLITE NF24Q100 AND PIC E51424 CABLES	<b>Issue:</b> Jul. 13, 2018	<b>Page</b> 1/1
-----------------------	--	--------------------------------	--------------------



### ENGAGING FACE



### MATERIAL:

- OUTER CONTACT : COPPER ALLOY PER ASTM-B-453
- CENTER CONTACTS : COPPER ALLOY C19160
- FERRULE : COPPER ALLOY PER ASTM-B-455
- INSULATOR : PFA PER ASTM-D-3307 OR EQUIVALENT
- SPACER : THERMOPLASTIC PER ASTM D 5205
- SEALING BOOT: THERMOPLASTIC PER ASTM-D-4067 AND FLUOROSILICONE PER SAE AMS-R-25988.

### FINISH:

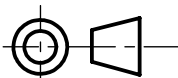
- ALL METAL PARTS:  
PLATING .00005 INCH OF GOLD PER AMS 2422  
OVER NICKEL PER SAE AMS QQ-N-290

### EXTRACTION TOOL:

- M81969/28.03 (RADIALL: 282 549 001) OR M81969/14-06

WIRING INSTRUCTIONS:SEE RP57339.

DIMENSIONS : mm (inch are given for information only)



Estimated weight : 4,85 g

<b>CREATION</b> <b>PEN: M040400033A</b> <b>NOM: M.PESSARD</b> <b>DATE: 05/05/2004</b> <b>APPR.: L.GARCIA</b>	Jul. 13, 18	Correction on Insulator dimension: 11,36 max [0,45] Correction on Spacer dimension: 5,63 [0,217]	Lopez C.	Weihls H.
	Dec. 07, 15	Engaging face updated	YON P.	VIEIRA D.
	Sep. 04, 15	Add PIC E51424 cable	PECAULT B.	LEGENDRE T.
	Aug 24, 15	TDS updated : insulator and spacer material modification and spacer and ferrule dimensions corrected	YON P.	VIEIRA D.
	Jan. 24, 08	Tolerance correction	S.MALTY	M.PESSARD
	Jun. 14, 07	[11.30;11.50] becomes [11.16;11.36]	A.LEBOCQ	M.PESSARD
	Mar. 16, 05	SAE AMS-2422 was 2442.	L.GARCIA	M.PESSARD
	Issue	Revisions	Name	Approved

617075051EN

RADIALL PROPRIETARY INFORMATION

This document contains proprietary information and such information shall not be disclosed to any third party for any purpose whatsoever or used for manufacturing purposes without prior written agreement from RADIALL. This information is given as an indication. In the continual goal to improve our products, we reserve the right to make any modifications judged necessary.

4112\_9311

## X-ON Electronics

Largest Supplier of Electrical and Electronic Components

*Click to view similar products for [Heavy Duty Power Connectors](#) category:*

*Click to view products by [Radiall](#) manufacturer:*

Other Similar products are found below :

[1424439](#) [1424438](#) [09330062652](#) [2-8675P1](#) [605601-1](#) [6340G1](#) [6341G1](#) [6360G1](#) [6373G1](#) [6374g2](#) [6396G1](#) [647757-1](#) [66394-4](#) [6643411-1](#)  
[6646058-2](#) [6646137-1](#) [6646138-1](#) [6646348-1](#) [6646479-1](#) [6646608-1](#) [6646786-1](#) [6646940-1](#) [6651091-1](#) [6651525-1](#) [6651529-1](#) [6651778-1](#)  
[6651788-1](#) [696465-1](#) [696475-1](#) [73000005059](#) [73000005349](#) [73000005642](#) [73080255059](#) [73080965046](#) [765-15-0080A](#) [765-16-0080B](#)  
[789.700-44](#) [789.700-54](#) [80-1010](#) [80-9](#) [827381-1](#) [829992-1](#) [902-77-02113](#) [PL00U-301-10D10](#) [PM103MOOLOO](#) [PM16S1620S32-50](#)  
[PM212MOOLOO](#) [PM309FOOLOO](#) [PM324FOOLCH](#) [PMHPAF11S03](#)