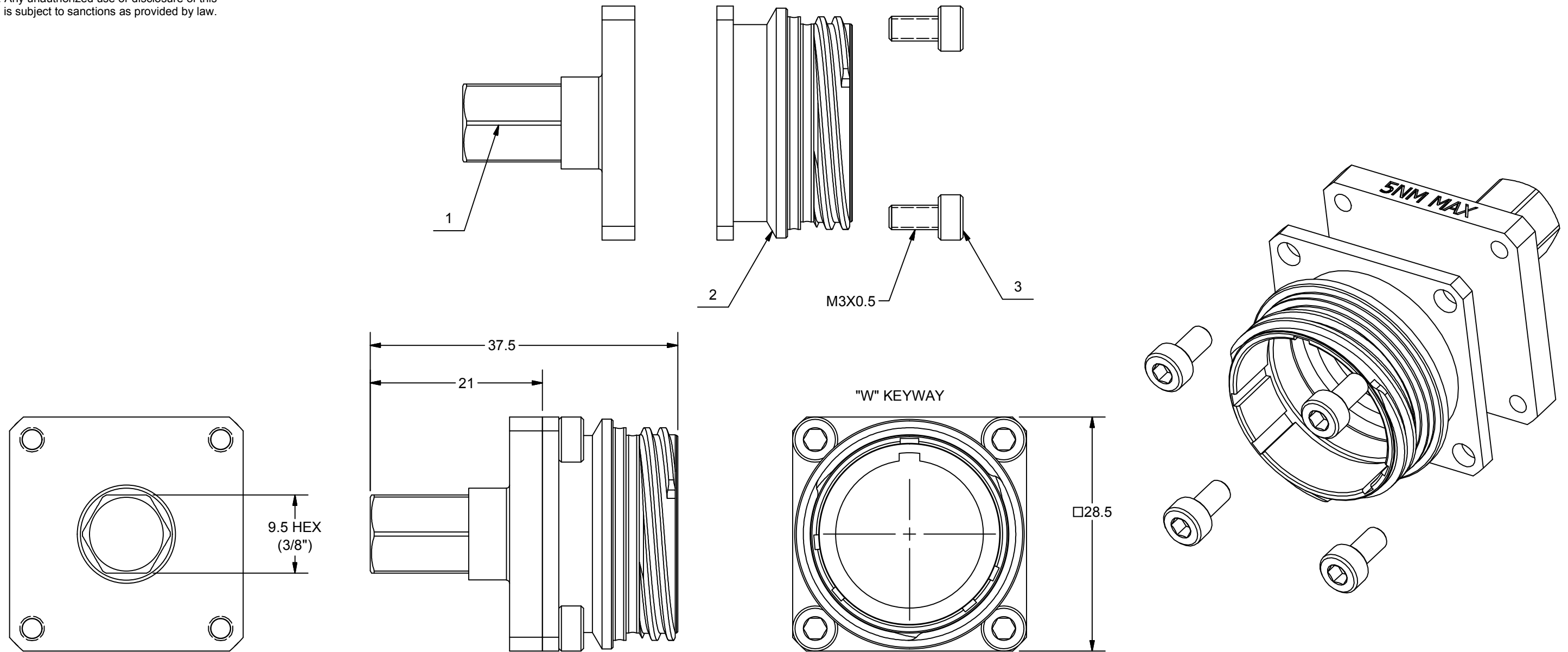


This proprietary / trade secret information is the exclusive property of LEMO SA and its subsidiaries (LEMO). This information is not generally known to the public and is the subject of efforts by LEMO to maintain its secrecy. Any unauthorized use or disclosure of this information is subject to sanctions as provided by law.

REVISION HISTORY		
REV	DESCRIPTION	DATE
A	INITIAL RELEASE	10/08/2012



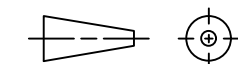
NOTES: UNLESS OTHERWISE SPECIFIED  
1. DO NOT EXCEED 5Nm (44inlbf).

3	CAP SCREW	STAINLESS STEEL	N/A
2	OUTER SHELL	ALUMINUM	ANTHRACITE NICKEL
1	LM TORQUE TOOL	STAINLESS STEEL	N/A
NO.	DESCRIPTION	MATERIAL	SURFACE TREATMENT

UNLESS OTHERWISE SPECIFIED  
ALL DIMENSIONS ARE IN: MILLIMETERS  
TOLERANCES ARE:

DECIMAL	ANGLE
X ±	XX ±
.X ±	.XXX ±

THIRD ANGLE PROJECTION



APPROVALS

DATE

MATERIAL

DRAWN  
RON HENNON

6/5/2012

SPECIFICATION

SEE NOTES

CHECKED  
PAUL MATTERI

10/8/2012

ISSUED  
GREG FOUST

10/8/2012

DO NOT SCALE DRAWING



LEMO USA, INC.  
P.O. BOX 2408  
ROHNERT PARK, CA 94927-2408

(800)444-5366  
WWW.LEMO.COM

TORQUE TOOL FOR LM PLUG WITH "W" KEY

SIZE  
B

CAGE CODE

DWG NO.

DCW.LM.91.U1104

REV  
A

SCALE  
2:1

SHEET 1 OF 1

## X-ON Electronics

Largest Supplier of Electrical and Electronic Components

*Click to view similar products for [Wrenches](#) category:*

*Click to view products by [LEMO](#) manufacturer:*

Other Similar products are found below :

[74005](#) [74008](#) [G70515-24](#) [R282055000](#) [DCH.91.101.PN](#) [1406504-3](#) [1406504-4](#) [DCA.91.231.7TN](#) [1055265-1](#) [1055267-1](#) [1-1406504-0](#) [TA-0432](#) [600-006-12](#) [600-008-01](#) [600-141-6P](#) [600-146-02](#) [TG70-24](#) [TG82](#) [1055787-1](#) [DCH.91.251.PA](#) [TG70-18](#) [600-146-16](#) [600-146-03](#) [600-078-01](#) [1406504-1](#) [TG70](#) [1061789-1](#) [G62748-11](#) [DPH.99.005.2K](#) [DCP.91.045.TN](#) [1055512-1](#) [1055276-1](#) [R282303020](#) [TA-0456](#) [DCA.91.149.0TN](#) [TA-0436](#) [TA-0398](#) [TOL-222901](#) [64W022-001](#) [294GB-5069-17-N](#) [C2777-JT-JB5-1](#) [523200-4](#) [74\\_Z-0-0-663](#) [294GB-5070-25-A](#) [294GB-5070-17-A](#) [TOL-171801](#) [80117](#) [DCN.91.149.0TK](#) [MF10-T1](#) [R282202000](#)