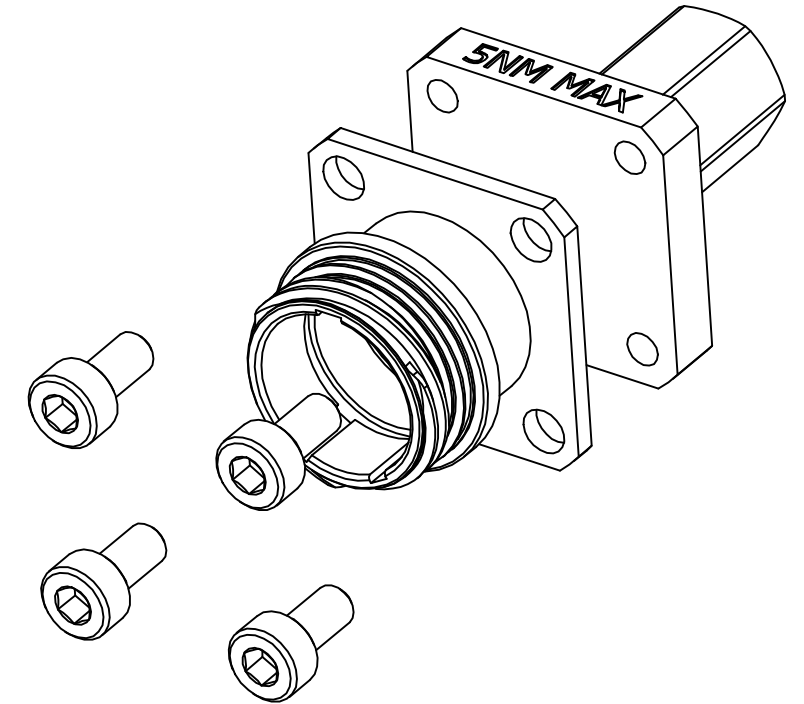
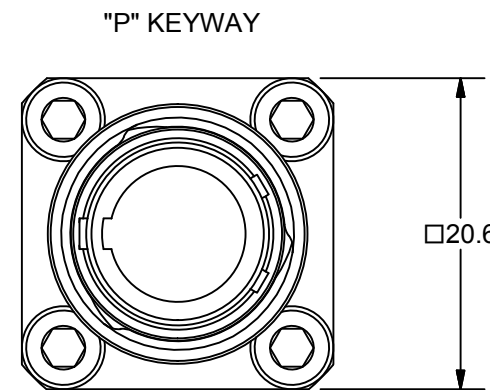
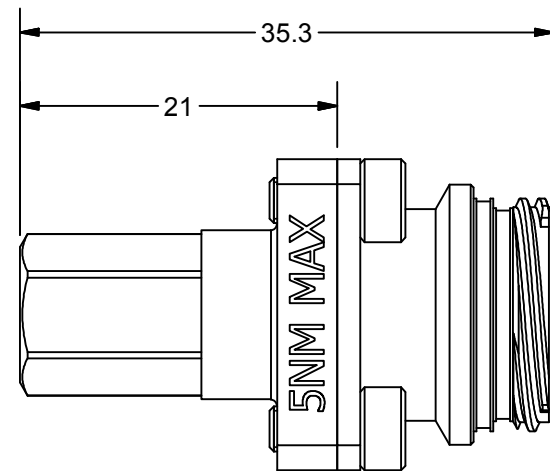
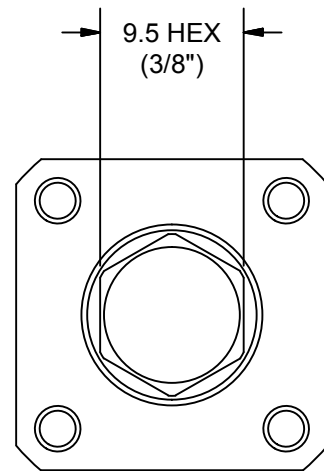
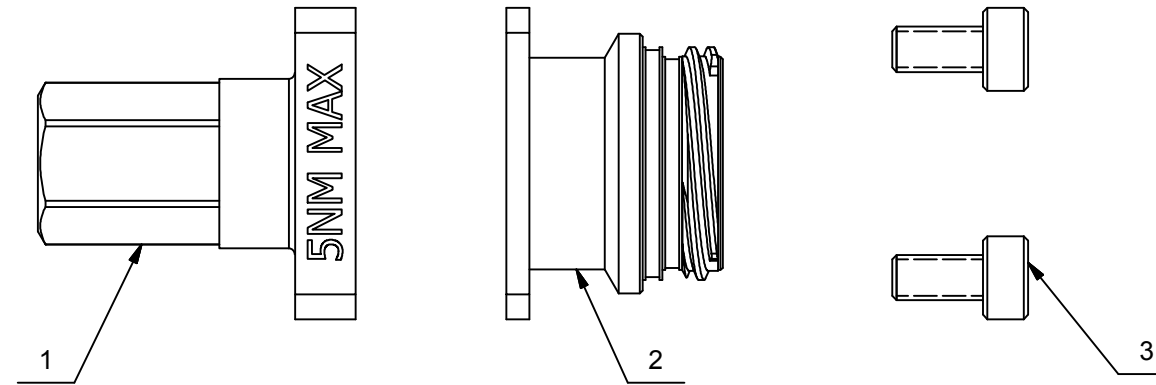


This proprietary / trade secret information is the exclusive property of LEMO SA and its subsidiaries (LEMO). This information is not generally known to the public and is the subject of efforts by LEMO to maintain its secrecy. Any unauthorized use or disclosure of this information is subject to sanctions as provided by law.

REVISION HISTORY		
REV	DESCRIPTION	DATE
A	INITIAL RELEASE	10/08/2012



3	CAP SCREW	STAINLESS STEEL	N/A
2	OUTER SHELL	ALUMINUM	ANTHRACITE NICKEL
1	2M TORQUE TOOL	STAINLESS STEEL	N/A
NO.	DESCRIPTION	MATERIAL	SURFACE TREATMENT

NOTES: UNLESS OTHERWISE SPECIFIED
1. DO NOT EXCEED 5Nm (44inlbf).

UNLESS OTHERWISE SPECIFIED ALL DIMENSIONS ARE IN: MILLIMETERS TOLERANCES ARE:		THIRD ANGLE PROJECTION		 LEMO USA, INC. P.O. BOX 2408 ROHNERT PARK, CA 94927-2408 (800)444-5366 WWW.LEMO.COM	
DECIMAL	ANGLE				
X ±	.XX ±	APPROVALS	DATE	TORQUE TOOL FOR 2M PLUG WITH "P" KEY	
.X ±	.XXX ±				
MATERIAL		DRAWN RON HENNON	7/19/2012		
SPECIFICATION		CHECKED GREG FOUST	10/8/2012	SIZE B CAGE CODE DWG NO. DCP.2M.91.U1104 REV A	
SEE NOTES		ISSUED PAUL MATTERI	10/8/2012		
DO NOT SCALE DRAWING		SCALE 2:1		SHEET 1 OF 1	

X-ON Electronics

Largest Supplier of Electrical and Electronic Components

Click to view similar products for [Wrenches](#) category:

Click to view products by [LEMO](#) manufacturer:

Other Similar products are found below :

[74005](#) [74008](#) [G70515-24](#) [R282055000](#) [DCH.91.101.PN](#) [1406504-3](#) [1406504-4](#) [DCA.91.231.7TN](#) [1055265-1](#) [1055267-1](#) [1-1406504-0](#) [TA-0432](#) [600-006-12](#) [600-008-01](#) [600-141-6P](#) [600-146-02](#) [TG70-24](#) [TG82](#) [1055787-1](#) [DCH.91.251.PA](#) [TG70-18](#) [600-146-16](#) [600-146-03](#) [600-078-01](#) [1406504-1](#) [TG70](#) [1061789-1](#) [G62748-11](#) [DPH.99.005.2K](#) [DCP.91.045.TN](#) [1055512-1](#) [1055276-1](#) [R282303020](#) [TA-0456](#) [DCA.91.149.0TN](#) [TA-0436](#) [TA-0398](#) [TOL-222901](#) [64W022-001](#) [294GB-5069-17-N](#) [C2777-JT-JB5-1](#) [523200-4](#) [74_Z-0-0-663](#) [294GB-5070-25-A](#) [294GB-5070-17-A](#) [TOL-171801](#) [80117](#) [DCN.91.149.0TK](#) [MF10-T1](#) [R282202000](#)